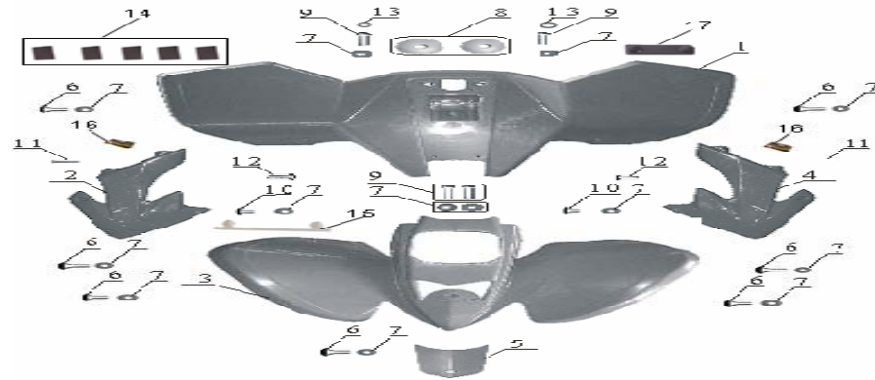


STR125



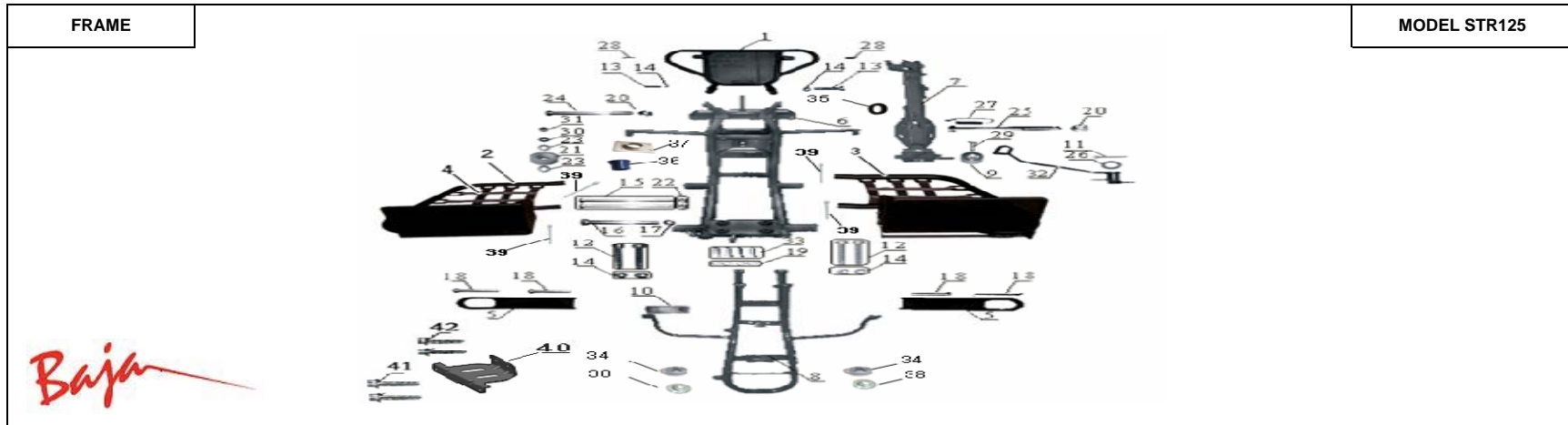
FENDER

MODEL STR125



| Item No. | Part No. | UPC Number | Description | Baja Description | Qty Shipped per order | Qty. | MSRP | Dealer Cost |
|----------|------------|--------------|------------------------------|------------------|-----------------------|------|---------|-------------|
| 1 | STR125-100 | 883099000003 | FENDER,REAR(RED) | | 1 | 1 | \$36.80 | \$18.40 |
| 2 | STR125-101 | 883099012976 | FENDER,RIGHT(RED) | | 1 | 1 | \$14.10 | \$7.05 |
| 3 | STR125-102 | 883099000010 | FENDER,FRONT(RED) | | 1 | 1 | \$28.98 | \$14.49 |
| 4 | STR125-103 | 883099012990 | FENDER,LEFT(RED) | | 1 | 1 | \$7.57 | \$3.78 |
| 5 | STR125-104 | 883099000027 | FENDER,HEAD(RED) | | 1 | 1 | \$3.45 | \$1.73 |
| 6 | STR125-105 | 883099013010 | BOLT M6-1.0X15, ALLEN | | 3 | 7 | \$2.28 | \$1.14 |
| 7 | STR125-106 | 883099013027 | WASHER M8X18X4, PLATE RUBBER | | 5 | 13 | \$2.59 | \$1.29 |
| 8 | STR125-107 | 883099013034 | GLUE PARKING SHEET | | 2 | 4 | \$0.76 | \$0.38 |
| 9 | STR125-108 | 883099013041 | BOLT M6-1.0X20, ROUND (FT) | | 2 | 4 | \$0.48 | \$0.24 |
| 10 | STR125-109 | 883099013058 | BOLT M5-0.8X8, ALLEN (PT/S) | | 2 | 2 | \$1.50 | \$0.75 |
| 11 | STR125-110 | 883099013065 | BOLT M6-1.0X16, FLANGE (FT) | | 2 | 2 | \$6.00 | \$3.00 |
| 12 | STR125-111 | 883099013072 | SCREW M6X15 ROUND | | 2 | 2 | \$0.41 | \$0.21 |
| 13 | STR125-112 | 883099013089 | WASHER M11X20X2, PLATE | | 2 | 2 | \$0.30 | \$0.15 |
| 14 | STR125-608 | 883099096440 | MAT,PREVENTING SHAKE | | 3 | 5 | \$0.26 | \$0.13 |
| 15 | STR125-609 | 883099096457 | PULLING STRAP,SIDE COVER | | 1 | 1 | \$2.09 | \$1.04 |
| 16 | STR125-610 | 883099096464 | NIPPING PATCH | | 2 | 2 | \$0.65 | \$0.33 |
| 17 | STR125-611 | 883099096471 | CUSHION RUBBER,BATTERY | | 1 | 1 | \$0.78 | \$0.39 |
| | | | | | | | | |
| | | | | | | | | |

| FRAME | | MODEL STR125 | | | | | | |
|----------|------------|--------------|----------------------------|------------------|-----------------------|------|----------|-------------|
| | | | | | | | | |
| Item No. | Part No. | UPC Number | Description | Baja Description | Qty Shipped per order | Qty. | MSRP | Dealer Cost |
| 1 | STR125-113 | 883099013096 | BUMPER | | 1 | 1 | \$82.80 | \$41.40 |
| 2 | STR125-114 | 883099013102 | FOOT BOARD,LEFT | | 1 | 1 | \$46.00 | \$23.00 |
| 3 | STR125-115 | 883099013119 | FOOT BOARD,RIGHT | | 1 | 1 | \$46.00 | \$23.00 |
| 4 | STR125-116 | 883099013126 | FOOT BOARD BINDER | | 1 | 1 | \$5.52 | \$2.76 |
| 5 | STR125-117 | 883099013133 | FOOT TRESS | | 2 | 2 | \$20.93 | \$10.47 |
| 6 | STR125-118 | 883099013140 | FRAME,FRONT | | 1 | 1 | \$124.20 | \$62.10 |
| 7 | STR125-119 | 883099013157 | FRAME,MIDDLE | | 1 | 1 | \$101.20 | \$50.60 |
| 8 | STR125-120 | 883099013164 | FRAME,REAR | | 1 | 1 | \$32.20 | \$16.10 |
| 9 | STR125-121 | 883099013171 | LIMITING WHEEL | | 1 | 1 | \$1.55 | \$0.78 |
| 10 | STR125-122 | 883099013188 | SEAT ABSORBING RUBBER | | 1 | 1 | \$1.66 | \$0.83 |
| 11 | STR125-123 | 883099013195 | PIN M3X27, COTTER | | 1 | 1 | \$0.10 | \$0.05 |
| 12 | STR125-124 | 883099013201 | BOLT M5-0.8X40, ALLEN (PT) | | 2 | 4 | \$12.08 | \$6.04 |
| 13 | STR125-125 | 883099013218 | BOLT M5-0.8X30, ALLEN (PT) | | 2 | 2 | \$11.04 | \$5.52 |
| 14 | STR125-126 | 883099013225 | NUT 5-0.8X5, HEX SELF LOCK | | 3 | 6 | \$5.18 | \$2.59 |
| 15 | STR125-127 | 883099013232 | BOLT M8-1.25X130, HEX (PT) | | 2 | 2 | \$8.28 | \$4.14 |
| 16 | STR125-128 | 883099013249 | BOLT | | 1 | 1 | \$3.45 | \$1.73 |
| | | | | | | | | |
| | | | | | | | | |
| | | | | | | | | |



| Item No. | Part No. | UPC Number | Description | Baja Description | Qty Shipped per order | Qty. | MSRP | Dealer Cost |
|----------|------------|--------------|------------------------------|------------------|-----------------------|------|---------|-------------|
| 17 | STR125-129 | 883099013256 | NUT M12-1.25X11, HEX NYLON | | 1 | 1 | \$1.55 | \$0.78 |
| 18 | STR125-130 | 883099013263 | BOLT M6-1.0X20, ALLEN (FT) | | 2 | 4 | \$6.90 | \$3.45 |
| 19 | STR125-145 | 883099013416 | SPRING | | 2 | 4 | \$0.35 | \$0.17 |
| 20 | STR125-133 | 883099013294 | NUT M8-1.25X8, HEX NYLON | | 1 | 1 | \$1.55 | \$0.78 |
| 21 | STR125-131 | 883099013270 | ROLLER, CHAIN TENSIONER | | 1 | 1 | \$3.45 | \$1.73 |
| 22 | STR125-134 | 883099013300 | BEARING | | 2 | 2 | \$82.80 | \$41.40 |
| 23 | STR125-135 | 883099013317 | BOLT | | 1 | 1 | \$6.90 | \$3.45 |
| 24 | STR125-136 | 883099013324 | BOLT M8-1.25X110, HEX (PT/S) | | 1 | 1 | \$2.66 | \$1.33 |
| 25 | STR125-137 | 883099013331 | WASHER M15X28X2.5, PLATE | | 1 | 1 | \$0.28 | \$0.14 |
| 26 | STR125-132 | 883099013287 | SPRING | | 1 | 2 | \$1.93 | \$0.97 |
| 27 | STR125-138 | 883099013348 | SCREW | | 2 | 1 | \$5.18 | \$2.59 |
| 28 | STR125-139 | 883099013355 | BOLT M8-1.25X15, FLANGE (FT) | | 1 | 1 | \$6.90 | \$3.45 |
| 29 | STR125-140 | 883099013362 | BOLT M6-1.0X15, FLAT (FT) | | 1 | 1 | \$6.90 | \$3.45 |
| 30 | STR125-141 | 883099013379 | SPACER | | 1 | 1 | \$3.00 | \$1.50 |
| 31 | STR125-142 | 883099013386 | SPACER | | 1 | 1 | \$2.97 | \$1.48 |
| 32 | STR125-143 | 883099013393 | BRAKE FOOT TRESS | | 1 | 1 | \$17.25 | \$8.63 |
| | | | | | | | | |
| | | | | | | | | |
| | | | | | | | | |

| REAR SWING ARM | | | MODEL STR125 | | | | | |
|----------------|------------|--------------|-----------------------------------|------------------|-----------------------|------|----------|-------------|
| | | | | | | | | |
| Item No. | Part No. | UPC Number | Description | Baja Description | Qty Shipped per order | Qty. | MSRP | Dealer Cost |
| 1 | STR125-151 | 883099013478 | REAR SWING SHELF | | 1 | 1 | \$131.25 | \$65.63 |
| 2 | STR125-152 | 883099013485 | SCREW M5X15, ROUND | | 1 | 1 | \$0.17 | \$0.08 |
| 3 | STR125-153 | 883099013492 | BEARING | | 2 | 2 | \$33.12 | \$16.56 |
| 4 | STR125-154 | 883099013508 | BOLT M10-1.5X50, ALLEN (PT) | | 2 | 2 | \$9.00 | \$4.50 |
| 5 | STR125-155 | 883099013515 | COLLAR,OUTSIDE | | 2 | 2 | \$4.50 | \$2.25 |
| 6 | STR125-156 | 883099013522 | COLLAR,INSIDE | | 2 | 2 | \$9.00 | \$4.50 |
| 7 | STR125-157 | 883099013539 | BOLT M12-1.25X210, HEX (PT) | | 1 | 1 | \$10.43 | \$5.22 |
| 8 | STR125-158 | 883099013546 | NUT M12-1.25X12, FLANGE SELF LOCK | | 1 | 1 | \$1.50 | \$0.75 |
| 9 | STR125-159 | 883099013553 | BEARING SEAT | | 2 | 2 | \$56.34 | \$28.17 |
| 10 | STR125-160 | 883099013560 | CHAIN PROTECTIVE COVER | | 1 | 1 | \$12.42 | \$6.21 |
| 11 | STR125-161 | 883099013577 | PLASTIC SLIPPING PLATE,LEFT | | 1 | 1 | \$4.64 | \$2.32 |
| 12 | STR125-162 | 883099013584 | PLASTIC SLIPPING PLATE,MIDDLE | | 1 | 1 | \$3.75 | \$1.88 |
| 13 | STR125-163 | 883099013591 | PLASTIC SLIPPING PLATE,RIGHT | | 1 | 1 | \$4.08 | \$2.04 |
| 14 | STR125-164 | 883099013607 | INSTALLING PLATE,LEFT | | 1 | 1 | \$5.82 | \$2.91 |
| 15 | STR125-165 | 883099013614 | INSTALLING PLATE,RIGHT | | 1 | 1 | \$5.82 | \$2.91 |
| 16 | STR125-166 | 883099013621 | SPACER | | 1 | 1 | \$5.85 | \$2.93 |
| | | | | | | | | |
| | | | | | | | | |
| | | | | | | | | |

| HANDLEBAR AND STEERING | | MODEL STR125 | | | | | | |
|------------------------|------------|--------------|----------------------------|------------------|-----------------------|------|----------|-------------|
| | | | | | | | | |
| Item No. | Part No. | UPC Number | Description | Baja Description | Qty Shipped per order | Qty. | MSRP | Dealer Cost |
| 1 | STR125-171 | 883099013676 | STEERING SHAFT ASSY | | 1 | 1 | \$55.20 | \$27.60 |
| 2 | STR125-172 | 883099013683 | STEERING ARM ASSY | | 1 | 1 | \$23.00 | \$11.50 |
| 3 | STR125-173 | 883099013690 | HANDLEBAR | | 1 | 1 | \$22.53 | \$11.26 |
| 4 | STR125-174 | 883099013706 | LOCK BOX | | 1 | 1 | \$18.00 | \$9.00 |
| 5 | STR125-175 | 883099000034 | STEERING TIE-ROD ASSY | | 1 | 2 | \$103.04 | \$51.52 |
| 6 | STR125-176 | 883099013713 | GRIP HANDLE | | 2 | 2 | \$7.50 | \$3.75 |
| 7 | STR125-177 | 883099013720 | LOCATING PLATE | | 1 | 1 | \$6.45 | \$3.23 |
| 8 | STR125-178 | 883099013737 | SCREW | | 1 | 1 | \$2.10 | \$1.05 |
| 9 | STR125-179 | 883099013744 | SHOCK ABSORBING GASKET | | 2 | 4 | \$3.00 | \$1.50 |
| 10 | STR125-180 | 883099013751 | GROSS BAR PAD,OUTSIDE | | 1 | 1 | \$9.24 | \$4.62 |
| 11 | STR125-181 | 883099013768 | GROSS BAR PAD,INSIDE | | 1 | 1 | \$6.32 | \$3.16 |
| 12 | STR125-182 | 883099013775 | UPPER HOLDER,HANDLEBAR | | 2 | 2 | \$12.30 | \$6.15 |
| 13 | STR125-183 | 883099013782 | LOWER HOLDER,HANDLEBAR | | 2 | 2 | \$8.48 | \$4.24 |
| 14 | STR125-184 | 883099013799 | BOLT M10-1.25X75, HEX (PT) | | 2 | 2 | \$12.30 | \$6.15 |
| 15 | STR125-185 | 883099013805 | GASKET | | 1 | 1 | \$0.56 | \$0.28 |
| 16 | STR125-186 | 883099013812 | WASHER M10X20X2, PLATE | | 2 | 2 | \$0.24 | \$0.12 |
| | | | | | | | | |
| | | | | | | | | |
| | | | | | | | | |

| | HANDLEBAR AND STEERING | | | | | | MODEL STR125 | |
|----------|------------------------|--------------|-----------------------------------|------------------|-----------------------|------|--------------|-------------|
| | | | | | | | | |
| Item No. | Part No. | UPC Number | Description | Baja Description | Qty Shipped per order | Qty. | MSRP | Dealer Cost |
| 17 | STR125-187 | 883099013829 | NUT M8-1.25X6, HEX | | 1 | 1 | \$0.20 | \$0.10 |
| 18 | STR125-188 | 883099013836 | BOLT M5-0.8X10, ALLEN (FT) | | 2 | 2 | \$2.70 | \$1.35 |
| 19 | STR125-189 | 883099013843 | BOLT M10-1.25X30, ALLEN (PT/S) | | 1 | 1 | \$5.85 | \$2.93 |
| 20 | STR125-190 | 883099013850 | NUT M10-1.25X9, HEX NYLON | | 3 | 6 | \$4.50 | \$2.25 |
| 21 | STR125-191 | 883099013867 | BOLT M10-1.5X60, ALLEN (FT/S) | | 2 | 4 | \$4.20 | \$2.10 |
| 22 | STR125-192 | 883099013874 | NUT M10-1.25X11, FLANGE SELF LOCK | | 2 | 2 | \$2.10 | \$1.05 |
| 23 | STR125-193 | 883099013881 | WASHER | | 1 | 1 | \$0.42 | \$0.21 |
| 24 | STR125-632 | 883099084140 | DUSTPROOF COVER | | 1 | 1 | \$1.97 | \$0.99 |
| 25 | STR125-195 | 883099013904 | BOLT M6-1.0X20, ALLEN (FT) | | 1 | 1 | \$0.48 | \$0.24 |
| 26 | STR125-196 | 883099013911 | BOLT M8-1.25X25, ALLEN (FT) | | 2 | 4 | \$0.32 | \$0.16 |
| 27 | STR125-197 | 883099013928 | FIXED GLOBE | | 1 | 1 | \$6.45 | \$3.23 |
| 28 | STR125-198 | 883099013935 | LIMITED RING | | 1 | 1 | \$6.90 | \$3.45 |
| 29 | STR125-199 | 883099013942 | STEERING LIMITING BLOCK | | 1 | 1 | \$7.76 | \$3.88 |
| 30 | STR125-200 | 883099013959 | BOLT M6-1.0X16, ALLEN (FT) | | 2 | 2 | \$6.00 | \$3.00 |
| 31 | STR125-201 | 883099013966 | PIN M3X27, COTTER | | 2 | 4 | \$0.17 | \$0.08 |
| 32 | STR125-618 | 883099096549 | COVER,"N" INDICATED LIGHT | | 1 | 1 | \$1.28 | \$0.64 |
| | | | | | | | | |
| | | | | | | | | |
| | | | | | | | | |

| FRONT AND REAR BRAKE | | MODEL STR125 | | | | | | |
|----------------------|------------|--------------|-----------------------------|-------------------------------|-----------------------|------|---------|-------------|
| | | | | | | | | |
| Item No. | Part No. | UPC Number | Description | Baja Description | Qty Shipped per order | Qty. | MSRP | Dealer Cost |
| 1 | | | FRONT DISC BRAKE ASSY | AVAILABLE AS SEPARATE PARTS | | 1 | | |
| 2 | | | REAR DISC BRAKE ASSY | AVAILABLE AS SEPARATE PARTS | | 1 | | |
| 3 | STR125-212 | 883099000041 | DISC BRAKE LEVER | | 1 | 1 | \$19.32 | \$9.66 |
| 4 | STR125-213 | 883099000058 | GREASER | THROTTLE ASSEMBLY | 1 | 1 | \$32.22 | \$16.11 |
| 5 | STR125-214 | 883099014079 | BOLT M6-1.0X15, FLANGE (FT) | BOLT | 3 | 3 | \$9.00 | \$4.50 |
| 6 | STR125-455 | 883099067532 | FRONT BRAKE PADS | | 1 | 2 | \$15.95 | \$7.98 |
| 7 | STR125-633 | 883099084157 | REAR BRAKE PADS | | 1 | 1 | \$15.95 | \$7.98 |
| 9 | STR125-603 | 883099078576 | REAR BRAKE MASTER CYLINDER | MASTER CYLINDER AND RESERVOIR | 1 | 1 | \$22.65 | \$11.33 |
| 10 | STR125-605 | 883099078590 | REAR HYDRAULIC HOSE | BRAKE LINE, REAR | 1 | 1 | \$2.90 | \$1.45 |
| 12 | STR125-601 | 883099078552 | REAR CALIPER | CALIPER, REAR | 1 | 1 | \$52.49 | \$26.25 |
| 13 | STR125-604 | 883099078583 | FRONT HYDRAULIC HOSE | BRAKE LINE,FRONT | 1 | 1 | \$35.87 | \$17.93 |
| 14 | STR125-602 | 883099078569 | FRONT BRAKE LEVER ASSY | MASTER CYLINDER AND LEVER | 1 | 1 | \$44.99 | \$22.50 |
| 15 | STR125-599 | 883099078538 | FRONT LEFT CALIPER | CALIPER, FRONT LEFT | 1 | 1 | \$52.49 | \$26.25 |
| 15 | STR125-600 | 883099078545 | FRONT RIGHT CALIPER | CALIPER, FRONT RIGHT | 1 | 1 | \$52.49 | \$26.25 |
| 16 | STR125-606 | 842645009655 | BOLT 10-1.25X25, BANJO | | 2 | 5 | \$13.44 | \$6.72 |
| | | | | | | | | |
| | | | | | | | | |
| | | | | | | | | |

| FRONT SWING ARMS | | | MODEL STR125 | | | | | | |
|------------------|------------|--------------|-----------------------------------|------------------|-----------------------|------|---------|-------------|--|
| | | | | | | | | | |
| Item No. | Part No. | UPC Number | Description | Baja Description | Qty Shipped per order | Qty. | MSRP | Dealer Cost | |
| 1 | STR125-216 | 883099014093 | FRONT SWING ARM,UPPER L | | 1 | 1 | \$32.09 | \$16.04 | |
| 2 | STR125-217 | 883099014109 | FRONT SWING ARM,UPPER R | | 1 | 1 | \$32.09 | \$16.04 | |
| 3 | STR125-218 | 883099014116 | FRONT SWING ARM,LOWER L | | 1 | 1 | \$32.20 | \$16.10 | |
| 4 | STR125-219 | 883099014123 | FRONT SWING ARM,LOWER R | | 1 | 1 | \$32.20 | \$16.10 | |
| 5 | STR125-220 | 883099000065 | KNUCKLE SHAFT COMP.L | | 1 | 1 | \$40.40 | \$20.20 | |
| 6 | STR125-221 | 883099000072 | KNUCKLE SHAFT COMP.R | | 1 | 1 | \$40.40 | \$20.20 | |
| 7 | STR125-222 | 883099014130 | BOLT M10-1.5X80, ALLEN (PT) | | 2 | 2 | \$5.10 | \$2.55 | |
| 8 | STR125-223 | 883099014147 | UPPER HANGER,LEFT | | 1 | 1 | \$7.28 | \$3.64 | |
| 9 | STR125-224 | 883099014154 | UPPER HANGER,RIGHT | | 1 | 1 | \$7.28 | \$3.64 | |
| 10 | STR125-225 | 883099014161 | NUT M16-1.5X17, HEX CASTLE | | 2 | 2 | \$2.10 | \$1.05 | |
| 11 | STR125-226 | 883099014178 | PIN M4X38, COTTER | | 2 | 8 | \$2.10 | \$1.05 | |
| 12 | STR125-227 | 883099014185 | BOLT M10-1.25X50, HEX (PT) | | 2 | 8 | \$5.40 | \$2.70 | |
| 13 | STR125-228 | 883099014192 | BOLT M10-1.5X30, ALLEN | | 2 | 4 | \$5.10 | \$2.55 | |
| 14 | STR125-229 | 883099014208 | NUT M10-1.25X11, FLANGE SELF LOCK | | 2 | 8 | \$2.10 | \$1.05 | |
| 15 | STR125-230 | 883099014215 | BOLT M8-1.25X30, FLANGE (PT) | | 2 | 4 | \$0.90 | \$0.45 | |
| | | | | | | | | | |
| | | | | | | | | | |
| | | | | | | | | | |
| | | | | | | | | | |

| REAR AXLE | | MODEL STR125 | | | | | | |
|-----------|------------|--------------|----------------------------------|-----------------------|-----------------------|------|----------|-------------|
| | | | | | | | | |
| Item No. | Part No. | UPC Number | Description | Baja Description | Qty Shipped per order | Qty. | MSRP | Dealer Cost |
| 1 | STR125-242 | 883099014314 | FIXED SEAT,REAR SPOCKET | | 1 | 1 | \$57.96 | \$28.98 |
| 2 | STR125-243 | 883099014321 | INSTALLING PLATE,REAR BRAKE DISC | | 1 | 1 | \$34.74 | \$17.37 |
| 3 | STR125-244 | 883099014338 | REAR AXLE | | 1 | 1 | \$156.40 | \$78.20 |
| 4 | STR125-245 | 883099014345 | REAR SPROCKET | | 1 | 1 | \$19.32 | \$9.66 |
| 5 | STR125-246 | 883099014352 | BRAKE DISC | | 1 | 1 | \$25.30 | \$12.65 |
| 6 | STR125-247 | 883099014369 | LONG BOND | | 1 | 1 | \$7.28 | \$3.64 |
| 7 | STR125-248 | 883099014376 | SHORT BOND | | 1 | 2 | \$6.00 | \$3.00 |
| 8 | STR125-249 | 883099000102 | CHAIN | CHAIN, 428 / 50 LINKS | 1 | 1 | \$14.22 | \$7.11 |
| 9 | STR125-250 | 883099014383 | BOLT M5-0.8X8, ROUND ALLEN (FT) | | 2 | 2 | \$8.48 | \$4.24 |
| 10 | STR125-251 | 883099014390 | FIXED CLIP | | 2 | 2 | \$6.30 | \$3.15 |
| 11 | STR125-252 | 883099014406 | SPACER | | 1 | 1 | \$5.52 | \$2.76 |
| 12 | STR125-253 | 883099014413 | BEARING | | 1 | 1 | \$13.80 | \$6.90 |
| 13 | STR125-254 | 883099014420 | BOLT M8-1.25X25, ALLEN | | 3 | 3 | \$3.15 | \$1.58 |
| 14 | STR125-255 | 883099014437 | BOLT M8-1.25X25, ALLEN (FT/S) | | 2 | 4 | \$9.00 | \$4.50 |
| 15 | STR125-256 | 883099014444 | SHOCK ABSORBING GASKET | | 2 | 4 | \$0.84 | \$0.42 |
| 16 | STR125-257 | 883099014451 | NUT M8-1.25X8, HEX NYLON | | 2 | 4 | \$3.00 | \$1.50 |
| | | | | | | | | |
| | | | | | | | | |
| | | | | | | | | |

| FRONT TIRE | | | | | | | | | MODEL STR125 |
|------------|------------|--------------|-----------------------------|------------------|-----------------------|------|----------|-------------|--------------|
| | | | | | | | | | |
| Item No. | Part No. | UPC Number | Description | Baja Description | Qty Shipped per order | Qty. | MSRP | Dealer Cost | |
| 1 | STR125-266 | 883099000133 | FRONT TIRE (19x6-10) | | 1 | 2 | \$88.32 | \$44.16 | |
| 2 | STR125-267 | 883099014529 | FRONT WHEEL RIM | | 1 | 2 | \$162.84 | \$81.42 | |
| 3 | STR125-268 | 883099014536 | BRAKE DISH | | 1 | 2 | \$28.75 | \$14.38 | |
| 4 | STR125-269 | 883099014543 | WHEEL RIM JOINT | | 1 | 2 | \$39.56 | \$19.78 | |
| 5 | STR125-270 | 883099014550 | SPACER | | 1 | 2 | \$1.35 | \$0.68 | |
| 6 | STR125-271 | 883099014567 | OIL SEAL | | 2 | 4 | \$13.80 | \$6.90 | |
| 7 | STR125-272 | 883099014574 | NUT M10-1.25X18, CAP | | 4 | 8 | \$5.70 | \$2.85 | |
| 8 | STR125-273 | 883099014581 | WASHER M10X16X3, SPRING | | 4 | 8 | \$3.60 | \$1.80 | |
| 9 | STR125-274 | 883099014598 | WASHER M10X20X2, PLATE | | 4 | 8 | \$0.69 | \$0.35 | |
| 10 | STR125-275 | 883099014604 | BEARING | | 2 | 4 | \$12.48 | \$6.24 | |
| 11 | STR125-276 | 883099014611 | SPACER | | 1 | 2 | \$3.45 | \$1.73 | |
| 12 | STR125-277 | 883099014628 | BOLT M8-1.25X20, ALLEN (PT) | | 2 | 8 | \$9.30 | \$4.65 | |
| 13 | STR125-634 | 883099084164 | VALVE STEM | | 1 | 2 | \$3.29 | \$1.64 | |
| | | | | | | | | | |
| | | | | | | | | | |
| | | | | | | | | | |
| | | | | | | | | | |
| | | | | | | | | | |
| | | | | | | | | | |

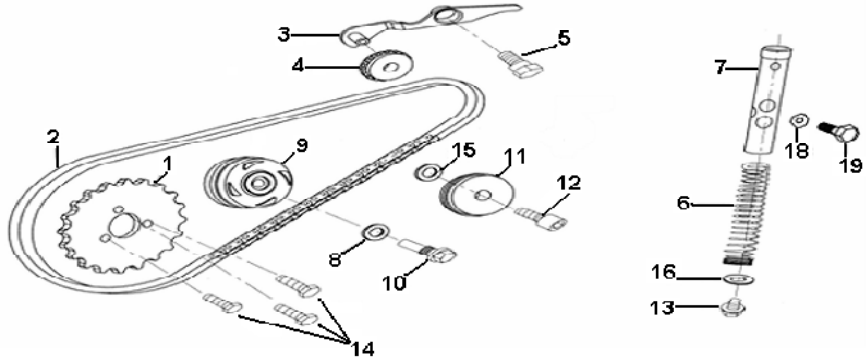

| EXHAUST | | | MODEL STR125 | | | | | |
|----------|------------|--------------|----------------------------------|------------------|-----------------------|------|---------|-------------|
| | | | | | | | | |
| Item No. | Part No. | UPC Number | Description | Baja Description | Qty Shipped per order | Qty. | MSRP | Dealer Cost |
| 1 | STR125-285 | 883099014697 | EXHAUST-PIPE | | 1 | 1 | \$30.02 | \$15.01 |
| 2 | STR125-286 | 883099014703 | MUFFLER | | 1 | 1 | \$79.12 | \$39.56 |
| 3 | STR125-287 | 883099014710 | INSTALLING CLIP | | 1 | 1 | \$6.90 | \$3.45 |
| 4 | STR125-288 | 883099014727 | PROTECTING RUBBER | | 1 | 1 | \$6.59 | \$3.29 |
| 5 | STR125-289 | 883099014734 | FENDER | | 1 | 1 | \$10.47 | \$5.23 |
| 6 | STR125-290 | 883099014741 | BUSH | | 1 | 1 | \$2.11 | \$1.06 |
| 7 | STR125-291 | 883099014758 | BOLT M6-1.0X8, ALLEN (FT) | | 3 | 3 | \$2.38 | \$1.19 |
| 8 | STR125-292 | 883099014765 | BOLT M8-1.25X40, ALLEN (PT) | | 1 | 1 | \$2.59 | \$1.29 |
| 9 | STR125-635 | 883099085376 | GASKET, MUFFLER | | 1 | 1 | \$1.97 | \$0.99 |
| 9 | BA90-669 | 883099146206 | SEAL GASKET | EPA PARTS | 1 | 1 | \$2.64 | \$1.32 |
| 10 | STR125-636 | 883099085383 | NUT M6-1.0X6, FLANGE SPRING LOCK | | 2 | 2 | \$0.33 | \$0.16 |
| 11 | BA90-670 | 883099146213 | LEADWASHER | EPA PARTS | 1 | 1 | \$1.20 | \$0.60 |
| 12 | BA90-671 | 883099146220 | AIR VALVE | EPA PARTS | 1 | 1 | \$31.68 | \$15.84 |
| 13 | BA90-672 | 883099146237 | CONNECTED HOSE | EPA PARTS | 1 | 1 | \$10.72 | \$5.36 |
| | | | | | | | | |
| | | | | | | | | |
| | | | | | | | | |
| | | | | | | | | |

| ELECTRICAL | | | | | | | | | MODEL STR125 |
|------------|----------------------------|--------------|----------------------------------|------------------|-----------------------|------|---------|-------------|--------------|
| | | | | | | | | | |
| Item No. | Part No. | UPC Number | Description | Baja Description | Qty Shipped per order | Qty. | MSRP | Dealer Cost | |
| 1 | STR125-294 | 883099000164 | LOCK SWITCH ASSY | | 1 | 1 | \$19.32 | \$9.66 | |
| 2 | STR125-295 | 883099014772 | MAIN WIRE ASSY | | 1 | 1 | \$34.20 | \$17.10 | |
| 3 | 50-01-9002 | 883099119729 | BATTERY (YTX7L-BS-FP) | | 1 | 1 | \$62.96 | \$62.96 | |
| 4 | STR125-297 | 883099000171 | TAIL LIGHT | | 1 | 1 | \$17.94 | \$8.97 | |
| 5 | STR125-298 | 883099014789 | RECTIFIER | | 1 | 1 | \$13.72 | \$6.86 | |
| 6 | STR125-299 | 883099000188 | IGNITION COIL ASSY | | 1 | 1 | \$9.66 | \$4.83 | |
| 7 | STR125-300 | 883099000195 | CDI | | 1 | 1 | \$48.36 | \$24.18 | |
| 8 | STR125-301 | 883099014796 | SIGNAL LIGHT | | 2 | 2 | \$3.45 | \$1.73 | |
| 9 | STR125-607 | 883099095252 | LEFT HANDLE BAR SWITCH | | 1 | 1 | \$24.95 | \$12.48 | |
| 10 | STR125-637 | 883099085390 | RELAY | | 1 | 1 | \$11.51 | \$5.75 | |
| 11 | STR125-638 | 883099085406 | STRAP | | 2 | 4 | \$0.69 | \$0.35 | |
| 12 | STR125-639 | 883099085413 | STRAP | | 6 | 26 | \$0.66 | \$0.33 | |
| 13 | STR125-640 | 883099085420 | BOLT M6-1.0X16, FLANGE (FT) | | 3 | 3 | \$0.39 | \$0.20 | |
| 14 | STR125-641 | 883099085437 | NUT M6-1.0X6, FLANGE SPRING LOCK | | 3 | 5 | \$0.33 | \$0.16 | |
| | | | | | | | | | |
| | | | | | | | | | |
| | | | | | | | | | |
| | | | | | | | | | |

| CYLINDER HEAD COVER | | MODEL BAJA125 | | | | | | |
|---------------------|------------|---------------|--|--------------------------------|-----------------------|------|---------|-------------|
| | | | | | | | | |
| Item No. | Part No. | UPC Number | Description | Baja Description | Qty Shipped per order | Qty. | MSRP | Dealer Cost |
| 1 | STR125-317 | 883099066641 | Left Cover,Cylinder | | 1 | 1 | \$8.19 | \$4.10 |
| 2 | STR125-321 | 883099066689 | Seal Washer,Left Cover of Cylinder Head | | 1 | 1 | \$0.30 | \$0.15 |
| 3 | STR125-338 | 883099066832 | Gasket comp., cylinder head | | 1 | 1 | \$5.28 | \$2.64 |
| 4 | STR125-341 | 883099066856 | BOLT M6-1.0X20, FLANGE (FT) | | 1 | 1 | \$2.25 | \$1.13 |
| 5 | STR125-333 | 883099066801 | Cylinder head comp. | Cylinder head comp. | 1 | 1 | \$80.00 | \$40.00 |
| 6 | STR125-339 | 883099066849 | Gasket, inlet pipe | | 1 | 1 | \$10.96 | \$5.48 |
| 7 | | 883099066863 | gasket | Available with part STR125-339 | 1 | 1 | \$15.00 | \$7.50 |
| 8 | STR125-622 | 883099148521 | Inlet pipe | | 1 | 1 | \$10.26 | \$5.13 |
| 9 | STR125-337 | 883099066825 | Gasket | | 1 | 1 | \$0.75 | \$0.38 |
| 10 | STR125-344 | 883099066870 | BOLT M6-1.0X30, FLANGE (PT) | | 2 | 2 | \$4.50 | \$2.25 |
| 11 | STR125-623 | 883099096808 | Circlip | | 1 | 1 | \$1.33 | \$0.67 |
| 12 | STR125-345 | 883099066887 | BOLT M6-1.0X20, HEX (FT) | | 2 | 2 | \$1.80 | \$0.90 |
| 13 | STR125-326 | 883099066733 | O-Ring | | 1 | 2 | \$1.35 | \$0.68 |
| 14 | STR125-318 | 883099066658 | Valve Cover | | 1 | 2 | \$5.85 | \$2.93 |
| 15 | STR125-320 | 883099066672 | Seal Washer,Right Cover of Cylinder Head | | 1 | 1 | \$0.30 | \$0.15 |
| 16 | STR125-316 | 883099066634 | Right Cover,Cylinder | | 1 | 1 | \$8.05 | \$4.03 |
| | | | | | | | | |
| | | | | | | | | |
| | | | | | | | | |

| CYLINDER HEAD COVER | | MODEL BAJA125 | | | | | | |
|---------------------|------------|---------------|----------------------------|------------------|-----------------------|------|----------|-------------|
| | | | | | | | | |
| Item No. | Part No. | UPC Number | Description | Baja Description | Qty Shipped per order | Qty. | MSRP | Dealer Cost |
| 17 | STR125-645 | 883099085659 | Flat Washer 6*12*1.5 | | | | \$0.48 | \$0.24 |
| 18 | STR125-325 | 883099066726 | Aluminum Washer | | 1 | 1 | \$0.30 | \$0.15 |
| 19 | STR125-330 | 883099066771 | Connected thread tube | | 1 | 2 | \$8.40 | \$4.20 |
| 20 | STR125-328 | 883099066757 | Hex Bolt M6*20 | | 2 | 2 | \$1.50 | \$0.75 |
| 21 | STR125-327 | 883099066740 | Long bolt | | 1 | 1 | \$3.45 | \$1.73 |
| 22 | STR125-331 | 883099066788 | fuel pipe | Fuel Tube | 1 | 2 | \$10.50 | \$5.25 |
| 23 | STR125-329 | 883099066764 | Spark Plug,Resistance type | | 1 | 1 | \$18.72 | \$9.36 |
| 24 | STR125-323 | 883099066702 | Steel Washer | | 3 | 3 | \$0.90 | \$0.45 |
| 25 | STR125-324 | 883099066719 | Copper Washer | | 1 | 1 | \$0.30 | \$0.15 |
| 26 | STR125-322 | 883099066696 | Cap Nut M7(chromeplate) | | 4 | 4 | \$12.00 | \$6.00 |
| 27 | STR125-315 | 883099066627 | Cylinder Head Top Cover | | 1 | 1 | \$7.00 | \$3.50 |
| 28 | STR125-319 | 883099066665 | Seal Washer,Cylinder Head | | 1 | 1 | \$0.30 | \$0.15 |
| 29 | STR125-642 | 883099085444 | STUD BOLT M6-1.0X32 | | 2 | 2 | \$0.79 | \$0.39 |
| 30 | STR125-643 | 883099085451 | Cooling Tube 2 | | 1 | 1 | \$27.52 | \$13.76 |
| 31 | STR125-644 | 883099085468 | Hoop.Cooling Tube | | 2 | 4 | \$5.70 | \$2.85 |
| 32 | STR125-332 | 883099066795 | cooler | Cooler Assy | 1 | 1 | \$118.40 | \$59.20 |
| 33 | STR125-646 | 883099085666 | O-RING | | 1 | 1 | \$0.80 | \$0.40 |
| | | | | | | | | |
| | | | | | | | | |

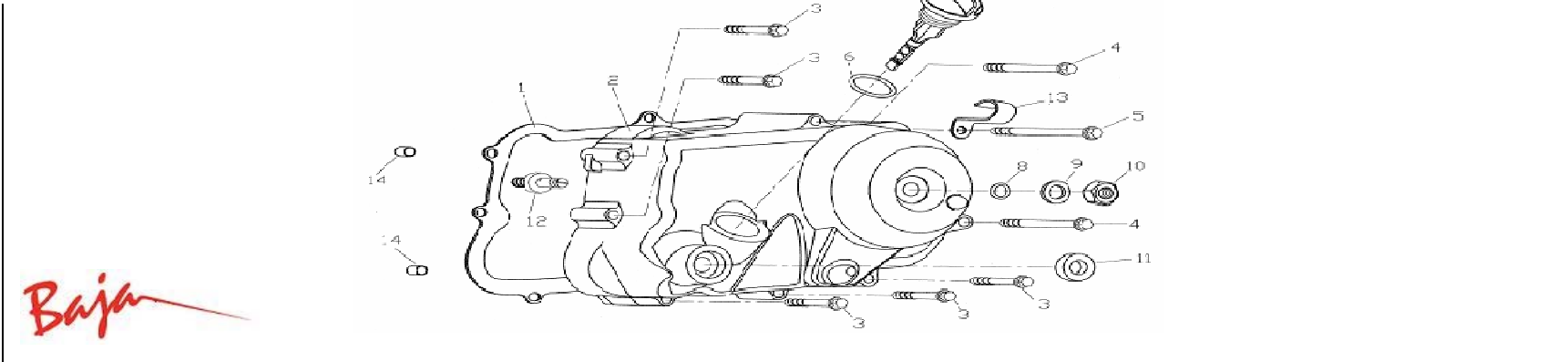
| CAMSHAFT ASSEMBLY | | MODEL BAJA125 | | | | | | |
|-------------------|------------|---------------|------------------------|------------------|-----------------------|------|---------|-------------|
| | | | | | | | | |
| Item No. | Part No. | UPC Number | Description | Baja Description | Qty Shipped per order | Qty. | MSRP | Dealer Cost |
| 1 | STR125-347 | 883099066900 | Camshaft comp. | | 1 | 1 | \$28.26 | \$14.13 |
| 2 | STR125-348 | 883099066917 | Rocker Arm.Valve | | 2 | 2 | \$12.48 | \$6.24 |
| 3 | STR125-349 | 883099066924 | Axle.Rocker Arm | | 2 | 2 | \$3.98 | \$1.99 |
| 4 | STR125-356 | 883099066993 | Cotter Valve | | 2 | 4 | \$2.10 | \$1.05 |
| 5 | STR125-354 | 883099066979 | Holder.Spring Valve | | 2 | 2 | \$6.08 | \$3.04 |
| 6 | STR125-353 | 883099066962 | Inner Spring.Valve | | 2 | 2 | \$4.05 | \$2.03 |
| 7 | STR125-352 | 883099066955 | Outer Spring.Valve | | 2 | 2 | \$5.03 | \$2.51 |
| 8 | STR125-355 | 883099066986 | WASHER M17X23X2, PLATE | | 2 | 2 | \$0.98 | \$0.49 |
| 9 | STR125-346 | 883099066894 | Block oil cover | | 2 | 2 | \$9.83 | \$4.91 |
| 10 | STR125-350 | 883099066931 | Inner sping, valve | | 1 | 1 | \$9.35 | \$4.67 |
| 11 | STR125-351 | 883099066948 | Outer sping, valve | | 1 | 1 | \$11.95 | \$5.98 |
| 12 | STR125-357 | 883099067006 | Adjusting Screw | | 2 | 2 | \$2.34 | \$1.17 |
| 13 | STR125-358 | 883099067013 | Adjusting Nut | | 2 | 2 | \$2.08 | \$1.04 |
| | | | | | | | | |
| | | | | | | | | |
| | | | | | | | | |
| | | | | | | | | |
| | | | | | | | | |
| | | | | | | | | |
| | | | | | | | | |
| | | | | | | | | |
| | | | | | | | | |

| TIMING CHAIN | | MODEL BAJA125 | | | | | | |
|--|------------|---------------|--------------------------------|------------------|-----------------------|------|--------|-------------|
|  | | | | | | | | |
|  | | | | | | | | |
| Item No. | Part No. | UPC Number | Description | Baja Description | Qty Shipped per order | Qty. | MSRP | Dealer Cost |
| 1 | STR125-359 | 883099067020 | Timing Driven Sprocket Wheel | | 1 | 1 | \$3.76 | \$1.88 |
| 2 | STR125-360 | 883099067037 | Timing Chain | | 1 | 1 | \$7.42 | \$3.71 |
| 3 | STR125-361 | 883099067044 | Chain Tension Arm Comp | | 1 | 1 | \$3.71 | \$1.86 |
| 4 | STR125-362 | 883099067051 | Chain Tension Trolley | | 1 | 1 | \$1.26 | \$0.63 |
| 5 | STR125-363 | 883099067068 | Mandrel,Chain Tension Arm | | 1 | 1 | \$2.70 | \$1.35 |
| 6 | STR125-364 | 883099067075 | Spring, chain tension pole | | 1 | 1 | \$0.56 | \$0.28 |
| 7 | STR125-365 | 883099067082 | Chain Tensioner Bar | | 1 | 1 | \$3.00 | \$1.50 |
| 8 | STR125-376 | 883099067181 | WASHER M8X14X2, PLATE | | 1 | 1 | \$0.15 | \$0.08 |
| 9 | STR125-367 | 883099067099 | Guide Trolley,Sprocket Wheel | | 1 | 1 | \$2.50 | \$1.25 |
| 10 | STR125-368 | 883099067105 | Bolt.Chain Tension Trolley | | 1 | 1 | \$2.21 | \$1.11 |
| 11 | STR125-369 | 883099067112 | Chain tension idler wheel II | | 1 | 1 | \$2.60 | \$1.30 |
| 12 | STR125-370 | 883099067129 | Pin Shaft | | 1 | 1 | \$4.80 | \$2.40 |
| 13 | STR125-371 | 883099067136 | BOLT M14-1.5X12, FLANGE (PT/S) | | 1 | 1 | \$2.63 | \$1.31 |
| 14 | STR125-372 | 883099067143 | BOLT M5-0.8X12, HEX (FT) | | 3 | 3 | \$6.15 | \$3.08 |
| 15 | STR125-379 | 883099067204 | WASHER M6X12X2, PLATE | | 1 | 1 | \$0.26 | \$0.13 |
| 16 | STR125-374 | 883099067167 | Aluminum plain washe | | 1 | 1 | \$0.30 | \$0.15 |
| | | | | | | | | |
| | | | | | | | | |
| | | | | | | | | |

| CYLINDER | | | | | | | | | MODEL BAJA125 |
|----------|------------|--------------|--------------------------------------|------------------|-----------------------|------|---------|-------------|---------------|
| | | | | | | | | | |
| Item No. | Part No. | UPC Number | Description | Baja Description | Qty Shipped per order | Qty. | MSRP | Dealer Cost | |
| 1 | STR125-380 | 883099067211 | Cylinder body | | 1 | 1 | \$85.63 | \$42.82 | |
| 2 | STR125-381 | 883099067228 | Gasket, cylinder body | | 1 | 1 | \$4.32 | \$2.16 | |
| 3 | STR125-382 | 883099067235 | Rubber plug, cylinder thermal fin | | 2 | 2 | \$2.28 | \$1.14 | |
| 4 | STR125-383 | 883099067242 | R. rubber plug, cylinder thermal fin | | 1 | 1 | \$2.55 | \$1.28 | |
| 5 | STR125-384 | 883099067259 | Ghex Flange Bolt M6*30 | | 1 | 1 | \$0.50 | \$0.25 | |
| 6 | STR125-385 | 883099067266 | Locating pin φ8*12 | | 2 | 2 | \$1.05 | \$0.53 | |
| 7 | STR125-386 | 883099067273 | BOLT M10-1.25X36, HEX (PT) | | 2 | 2 | \$1.05 | \$0.53 | |
| 8 | STR125-387 | 883099067280 | T Bush | | 1 | 1 | \$10.05 | \$5.03 | |
| 9 | STR125-388 | 883099067297 | Gasket | | 1 | 1 | \$0.50 | \$0.25 | |
| 10 | STR125-389 | 883099067303 | Bush | | 1 | 1 | \$0.23 | \$0.11 | |
| 11 | STR125-390 | 883099067310 | Gasket | | 1 | 1 | \$1.05 | \$0.53 | |
| 12 | STR125-391 | 883099067327 | Gasket | | 1 | 1 | \$0.53 | \$0.26 | |
| | | | | | | | | | |
| | | | | | | | | | |
| | | | | | | | | | |
| | | | | | | | | | |
| | | | | | | | | | |
| | | | | | | | | | |
| | | | | | | | | | |

RIGHT CRANKCASE COVER

MODEL BAJA125



| Item No. | Part No. | UPC Number | Description | Baja Description | Qty Shipped per order | Qty. | MSRP | Dealer Cost |
|----------|------------|--------------|---------------------------------|------------------|-----------------------|------|---------|-------------|
| 1 | STR125-393 | 883099067341 | Gasket, R.crankcase cover | | 1 | 1 | \$3.15 | \$1.58 |
| 2 | STR125-392 | 883099067334 | R.crankcase cover (SILVER) | | 1 | 1 | \$52.59 | \$26.30 |
| 2 | STR125-148 | 883099013447 | R.crankcase cover (BLACK) | | 1 | 1 | \$52.59 | \$26.30 |
| 3 | STR125-403 | 883099067440 | BOLT M6-1.0X40, FLANGE (PT) | | 5 | 5 | \$5.00 | \$2.50 |
| 4 | STR125-405 | 883099067464 | BOLT M6-1.0X80, FLANGE (PT) | | 1 | 1 | \$1.50 | \$0.75 |
| 5 | STR125-404 | 883099067457 | BOLT M6-1.0X65, FLANGE (PT) | | 2 | 2 | \$2.75 | \$1.38 |
| 6 | STR125-401 | 883099067426 | O-ring | | 1 | 1 | \$0.38 | \$0.19 |
| 7 | STR125-400 | 883099067419 | Oil guage | | 1 | 1 | \$2.63 | \$1.31 |
| 8 | STR125-397 | 883099067389 | O-ring 7.5*1.7 | | 1 | 1 | \$0.26 | \$0.13 |
| 9 | STR125-398 | 883099067396 | WASHER M8X16X2, PLATE | | 1 | 1 | \$0.25 | \$0.13 |
| 10 | STR125-399 | 883099067402 | NUT M8-1.25X8, FLANGE | | 1 | 1 | \$0.38 | \$0.19 |
| 11 | STR125-402 | 883099067433 | Oil Seal | | 1 | 1 | \$3.08 | \$1.54 |
| 12 | STR125-395 | 883099067365 | Adjusting Screw | | 1 | 1 | \$4.69 | \$2.34 |
| 13 | STR125-406 | 883099067471 | Fixing clip, high-pressure wire | | 1 | 1 | \$1.20 | \$0.60 |
| 14 | STR125-394 | 883099067358 | Dowel Pin 8*11 | | 2 | 2 | \$1.05 | \$0.53 |
| | STR125-396 | 883099067372 | *Adjusting Cam Plate | | 1 | 1 | \$4.80 | \$2.40 |
| | | | | | | | | |
| | | | | | | | | |
| | | | | | | | | |

| MAGNETIC MOTOR | | | | | MODEL BAJA125 | | | |
|----------------|------------|--------------|------------------------------------|----------------------|-----------------------|------|---------|-------------|
| | | | | | | | | |
| | | | | | | | | |
| Item No. | Part No. | UPC Number | Description | Baja Description | Qty Shipped per order | Qty. | MSRP | Dealer Cost |
| 1 | STR125-492 | 883099068003 | Body check assy. | STARTER MOTOR CLUTCH | 1 | 1 | \$21.00 | \$10.50 |
| 2 | STR125-469 | 883099067778 | Rotor assy | | 1 | 1 | \$51.36 | \$25.68 |
| 3 | STR125-480 | 883099067884 | NUT M10-1.25X9, FLANGE SPRING LOCK | | 1 | 1 | \$2.10 | \$1.05 |
| 4 | STR125-496 | 883099068041 | BOLT M6-1.0X20, FLANGE (FT) | | 2 | 2 | \$1.50 | \$0.75 |
| 5 | STR125-468 | 883099067761 | Gasket FR.cover,L. | | 1 | 1 | \$2.55 | \$1.28 |
| 6 | STR125-483 | 883099067914 | BOLT M6-1.0X10, FLANGE (FT) | | 1 | 1 | \$0.75 | \$0.38 |
| 7 | STR125-481 | 883099067891 | Board pressure | | 1 | 1 | \$2.40 | \$1.20 |
| 8 | STR125-495 | 883099068034 | BOLT M6-1.0X16, ROUND (FT) | | 2 | 2 | \$0.30 | \$0.15 |
| 9 | STR125-475 | 883099067839 | Stator assy. | | 1 | 1 | \$51.36 | \$25.68 |
| 10 | STR125-472 | 883099067808 | Dowel pin 92401-08014 | | 2 | 2 | \$0.60 | \$0.30 |
| 11 | STR125-484 | 883099067921 | BOLT M5-0.8X5, ROUND (FT) | | 1 | 1 | \$0.15 | \$0.08 |
| 12 | STR125-482 | 883099067907 | Board fixing | | 1 | 1 | \$1.05 | \$0.53 |
| 13 | STR125-464 | 883099067723 | FR.cover,L.(SILVER) | | 1 | 1 | \$27.68 | \$13.84 |
| 13 | STR125-465 | 883099067730 | FR.cover,L.BLACK | | 1 | 1 | \$27.68 | \$13.84 |
| 14 | STR125-470 | 883099067785 | upper tuyere cap | | 1 | 1 | \$5.40 | \$2.70 |
| 15 | STR125-474 | 883099067822 | O-seal,upper tuyere | | 1 | 1 | \$0.45 | \$0.23 |
| | | | | | | | | |
| | | | | | | | | |
| | | | | | | | | |

| STARTING CHAIN | | | | | | | | | MODEL BAJA125 |
|----------------|------------|--------------|-------------------------------|------------------|-----------------------|------|---------|-------------|---------------|
| | | | | | | | | | |
| | | | | | | | | | |
| Item No. | Part No. | UPC Number | Description | Baja Description | Qty Shipped per order | Qty. | MSRP | Dealer Cost | |
| 1 | STR125-502 | 883099068102 | O-ring gasket | | 1 | 1 | \$2.55 | \$1.28 | |
| 2 | STR125-486 | 883099067945 | Cover, left crankcase(SILVER) | | 1 | 1 | \$30.20 | \$15.10 | |
| 2 | STR125-447 | 883099067556 | Cover, left crankcase(BLACK) | | 1 | 1 | \$30.20 | \$15.10 | |
| 3 | STR125-504 | 883099068126 | Pin dowel 8×14 | | 1 | 1 | \$0.30 | \$0.15 | |
| 4 | STR125-505 | 883099068133 | Gasket | | 1 | 1 | \$0.60 | \$0.30 | |
| 5 | STR125-647 | 883099085680 | Washer | | 1 | 1 | \$0.32 | \$0.16 | |
| 6 | STR125-648 | 883099085697 | Bolt flange M6×35 | | 1 | 1 | \$1.05 | \$0.53 | |
| 7 | STR125-479 | 883099067877 | Bolt flange M6×105 | | 1 | 1 | \$2.40 | \$1.20 | |
| 8 | STR125-476 | 883099067846 | Bolt flangeE M6×25 | | 1 | 1 | \$0.75 | \$0.38 | |
| 9 | STR125-501 | 883099068096 | Oil needle | | 1 | 1 | \$4.80 | \$2.40 | |
| 10 | STR125-500 | 883099068089 | Oil seal | | 1 | 1 | \$4.08 | \$2.04 | |
| 11 | STR125-488 | 883099067969 | Guide board chain | | 1 | 1 | \$7.20 | \$3.60 | |
| 12 | STR125-489 | 883099067976 | Tension board chain | | 1 | 1 | \$7.35 | \$3.68 | |
| 13 | STR125-487 | 883099067952 | Driving chain | | 1 | 1 | \$11.83 | \$5.92 | |
| 14 | STR125-490 | 883099067983 | Driven sprocket assy. | | 1 | 1 | \$24.95 | \$12.48 | |
| 15 | STR125-491 | 883099067990 | Limited plate | | 1 | 1 | \$0.90 | \$0.45 | |
| 16 | STR125-503 | 883099068119 | BOLT M6-1.0X12, FLANGE (FT) | | 1 | 1 | \$0.75 | \$0.38 | |
| | | | | | | | | | |
| | | | | | | | | | |

| CRANKCASE ASSEMBLY | | | | MODEL BAJA125 | | | | |
|--------------------|------------|--------------|------------------------------|------------------|-----------------------|------|---------|-------------|
| | | | | | | | | |
| Item No. | Part No. | UPC Number | Description | Baja Description | Qty Shipped per order | Qty. | MSRP | Dealer Cost |
| 1 | STR125-506 | 883099068140 | Right Crankcase Body(SILVER) | | 1 | 1 | \$74.32 | \$37.16 |
| 1 | STR125-493 | 883099068010 | Right Crankcase Body(BLACK) | | 1 | 1 | \$74.32 | \$37.16 |
| 2 | STR125-507 | 883099068157 | Seal,Crankcase | | 1 | 1 | \$3.30 | \$1.65 |
| 3 | STR125-508 | 883099068164 | Left Crankcase Body(SILVER) | | 1 | 1 | \$94.80 | \$47.40 |
| 3 | STR125-494 | 883099068027 | Left Crankcase Body(BLACK) | | 1 | 1 | \$94.80 | \$47.40 |
| 4 | STR125-509 | 883099068171 | Vent Pipe,Crankcase | | 1 | 1 | \$1.35 | \$0.68 |
| 5 | STR125-510 | 883099068188 | Pipe Clip | | 2 | 2 | \$0.30 | \$0.15 |
| 6 | STR125-511 | 883099068195 | Clamp,Vent Pipe | | 2 | 2 | \$3.00 | \$1.50 |
| 7 | STR125-512 | 883099068201 | Stud Bolt ,Cylinder | | 1 | 1 | \$3.30 | \$1.65 |
| 8 | STR125-513 | 883099068218 | Stud Bolt,Cylinder | | 2 | 2 | \$6.60 | \$3.30 |
| 9 | STR125-514 | 883099068225 | WASHER M12X20X2, PLATE | | 1 | 1 | \$0.30 | \$0.15 |
| 10 | STR125-515 | 883099068232 | Dowel Pin 10*14 | | 1 | 1 | \$0.30 | \$0.15 |
| 11 | STR125-516 | 883099068249 | Drain Bolt | | 1 | 1 | \$1.13 | \$0.57 |
| 12 | STR125-517 | 883099068256 | BOLT M8-1.25X50, ALLEN (FT) | | 2 | 4 | \$2.10 | \$1.05 |
| 13 | STR125-518 | 883099068263 | BOLT M6-1.0X60, FLANGE (PT) | | 1 | 1 | \$1.35 | \$0.68 |
| 14 | STR125-519 | 883099068270 | Hex Flange Bolt M6*65 | | 1 | 1 | \$1.50 | \$0.75 |
| | | | | | | | | |
| | | | | | | | | |
| | | | | | | | | |

| TRANSMISSION | | | MODEL BAJA125 | | | | | |
|--------------|------------|--------------|-------------------------------|------------------|-----------------------|------|---------|-------------|
| | | | | | | | | |
| | | | | | | | | |
| Item No. | Part No. | UPC Number | Description | Baja Description | Qty Shipped per order | Qty. | MSRP | Dealer Cost |
| 1 | STR125-560 | 883099068553 | Counter shaft assy. | | 1 | 1 | \$30.11 | \$15.05 |
| 2 | STR125-563 | 883099068584 | Bearing 6205 | | 1 | 1 | \$6.48 | \$3.24 |
| 3 | STR125-564 | 883099068591 | Bearing 6101 | | 1 | 2 | \$12.04 | \$6.02 |
| 4 | STR125-550 | 883099068454 | Sprocket drive(14T) | | 1 | 1 | \$9.45 | \$4.73 |
| 5 | STR125-551 | 883099068461 | Locating board,sprocket drive | | 1 | 1 | \$3.45 | \$1.73 |
| 6 | STR125-561 | 883099068560 | BOLT M6-1.0X5, HEX (FT) | | 1 | 2 | \$0.32 | \$0.16 |
| 7 | STR125-562 | 883099068577 | Bearing 6204 | | 1 | 1 | \$8.89 | \$4.45 |
| 8 | STR125-559 | 883099068546 | Main shaft assy. | | 1 | 1 | \$27.25 | \$13.63 |
| | | 883099068355 | *Main shaft transmission | | 1 | 1 | \$12.18 | \$6.09 |
| | | 883099068362 | *Shaft counter transmission | | 1 | 1 | \$12.18 | \$6.09 |
| | | 883099068379 | *Driven gear- I | | 1 | 1 | \$11.83 | \$5.92 |
| | | 883099068386 | *Bushing | | 1 | 1 | \$2.55 | \$1.28 |
| | | 883099068393 | *Initiative gear- II | | 1 | 1 | \$11.83 | \$5.92 |
| | | 883099068409 | *Driven gear- II | | 1 | 1 | \$11.83 | \$5.92 |
| | | 883099068416 | *Initiative gear-III | | 1 | 1 | \$11.83 | \$5.92 |
| | | 883099068423 | *Driven gear-III | | 1 | 1 | \$11.83 | \$5.92 |
| | | | | | | | | |
| | | | | | | | | |
| | | | | | | | | |

