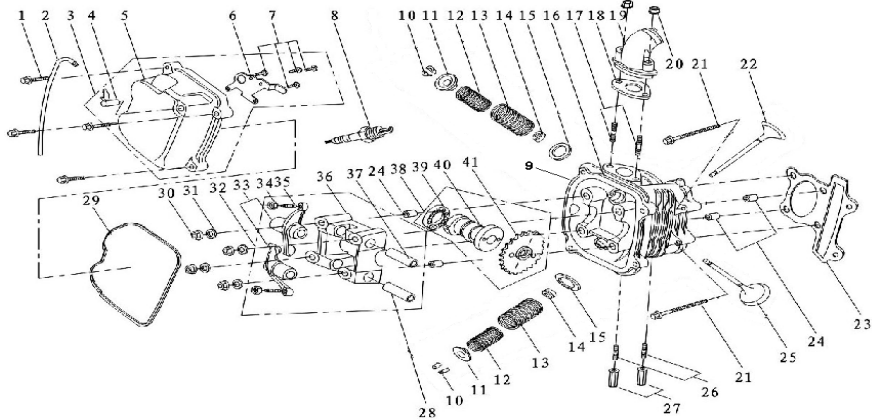
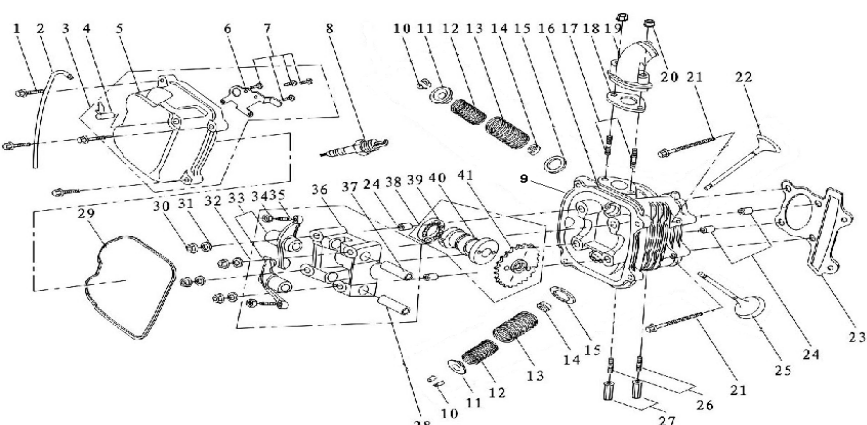


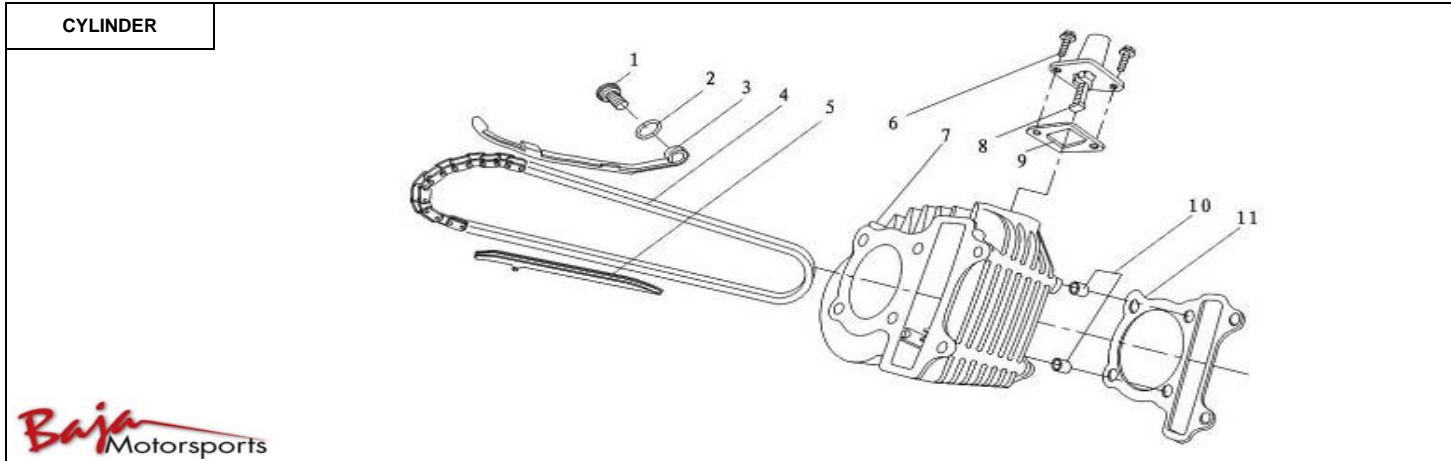
SC50S



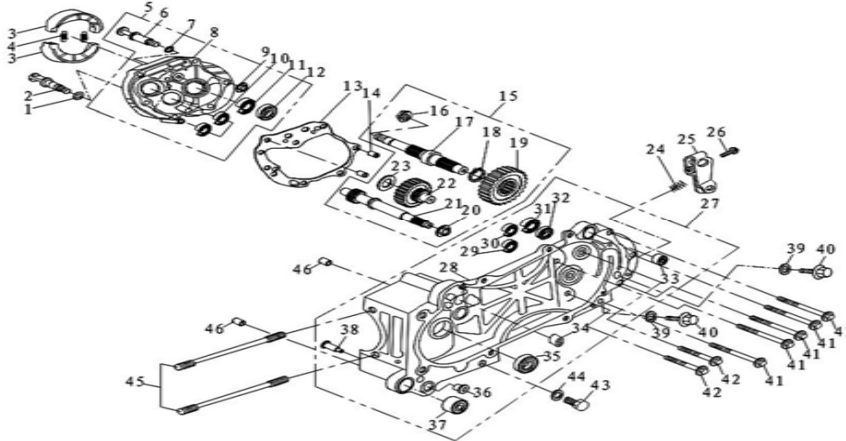

ENGINE SHROUD						
Item No.	Part No.	UPC Number	Description	Baja Description	Qty Shipped per order	Qty.
1	SC50S-100	883099107634	SCREW M5X15, FLANGE		2	2
2	SC50S-101	883099107641	BOLT M6-1.0X25, FLANGE (FT)		3	3
3	SC50S-102	883099107658	COVER, WIND LEADING		1	1
4	SC50S-103	883099107665	BOUNG, RUBBER		1	1
5	SC50S-104	883099107672	BOLT M6-1.0X16, FLANGE (FT)		3	6
6	SC50S-105	883099107689	FAN		1	1
7	SC50S-106	883099107696	UPER COVER		1	1
8	SC50S-107	883099107702	CLIP, PLASTICS TUBE		1	1
9	SC50S-108	883099107719	COVER, CONTROLS		1	1
10	SC50S-109	883099107726	SCREW M3X8, ROUND		2	2
11	SC50S-110	883099107733	SCREW NUT, BLAND SPRING		1	1
12	SC50S-111	883099107740	CLIP TUDE		1	1
13	SC50S-112	883099107757	SEAL THROUD		1	1
14	SC50S-113	883099107764	SCREW NUT, BLAND SPRING		1	1
15	SC50S-114	883099107771	BOTTOM COVER		1	1

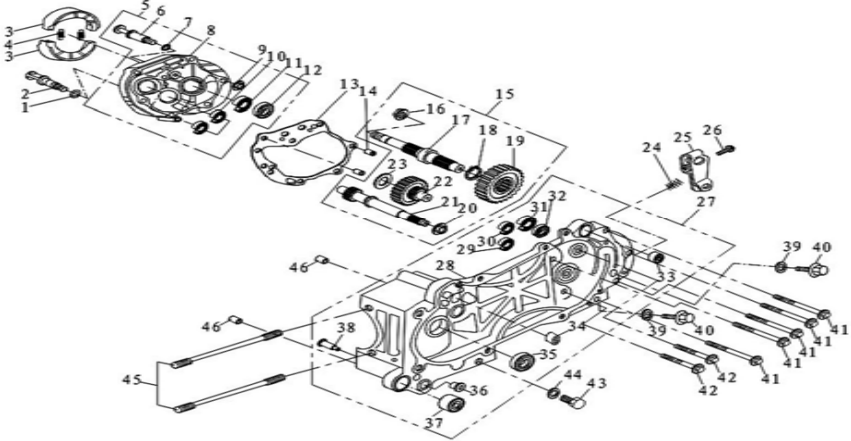

CYLINDER HEAD						
Item No.	Part No.	UPC Number	Description	Baja Description	Qty Shipped per order	Qty.
1	SC50S-115	883099107788	BOLT M6-1.0X25, FLANGE (FT)		2	4
2	SC50S-116	883099107795	TUBE ASSY, BREATHER		1	1
3	SC50S-117	883099107801	COVER ASSY, HEAD		1	1
4			BOND, TUBE	AVAILABLE WITH SC50-117		1
5			COVER, HEAD	AVAILABLE WITH SC50-117		1
6			PLATE, CAP	AVAILABLE WITH SC50-117		1
7	SC50S-121	883099107849	SCREW M4X8, ROUND		2	4
8	SC50S-122	883099107863	SPARK PLUG		1	1
9	SC50S-123	883099107870	HEAD COMP, CYLINDER	CYLINDER HEAD WITH VALVE GUIDES	1	1
10	SC50S-124	883099107887	COTTER VALVE		2	4
11			RETAINER, VALVE SPRING	AVAILABLE WITH SC50-123		2
12	SC50S-126	883099107900	SPRING, VALVE INNER		2	2
13	SC50S-127	883099107917	SPRING, VALVE OUTER		2	2
14			SEAT, VALVE STEM	AVAILABLE WITH SC50-123		2
15			SEAT, SPRING	AVAILABLE WITH SC50-123		2
16			COVER HEAD ASSY, CYLINDER	AVAILABLE WITH SC50-123		1

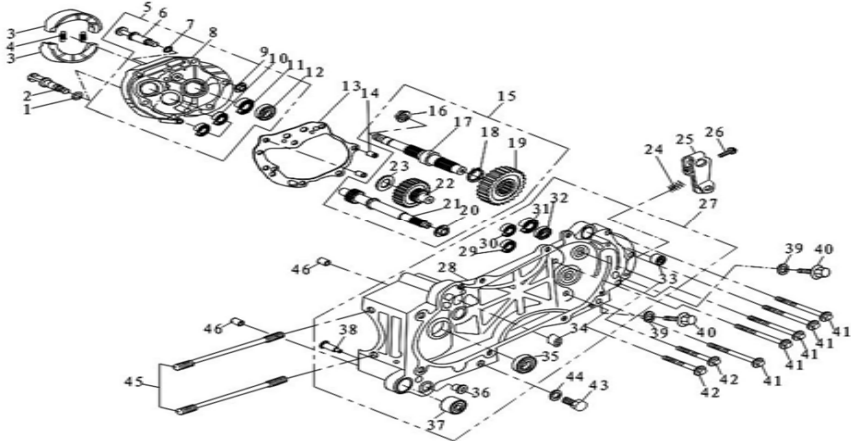
CYLINDER HEAD						
Item No.	Part No.	UPC Number	Description	Baja Description	Qty Shipped per order	Qty.
17	SC50S-131	883099107955	STUD BOLT M6X62		2	2
18	SC50S-132	883099107962	INSULATOR CARB ASSY.		1	1
19	SC50S-133	883099107979	PIPE ASSY, INLET		1	1
20	SC50S-134	883099107993	NUT M6-1.0X6, FLANGE		2	2
21	SC50S-135	883099108006	BOLT M6-1.0X84, FLANGE (PT)		2	2
22	SC50S-136	883099108013	VALVE EXHAUST		1	1
23	SC50S-137	883099108020	GASKET, CYLINDER HEAD		1	1
24	SC50S-138	883099108037	PIN DOWEL 8x14		2	4
25	SC50S-139	883099108044	VALVE INLET		1	1
26	SC50S-140	883099108051	STUD BOLT M6-1.0X33		2	2
27	SC50S-141	883099108068	NUT M6-1.0X6, FLANGE		2	2
28			SHAFT EXH ROCKER ARM	AVAILABLE WITH SC50-146		1
29	SC50S-143	883099108082	RING, HEADER COVER SHROUD		1	1
30	SC50S-144	883099108099	NUT M7-1.0X7, FLANGE		2	4
31	SC50S-145	883099108105	WASHER M8X14X2, PLATE		2	4
32	SC50S-146	883099108112	HOLDER ASSY, CAM SHAFT		1	1

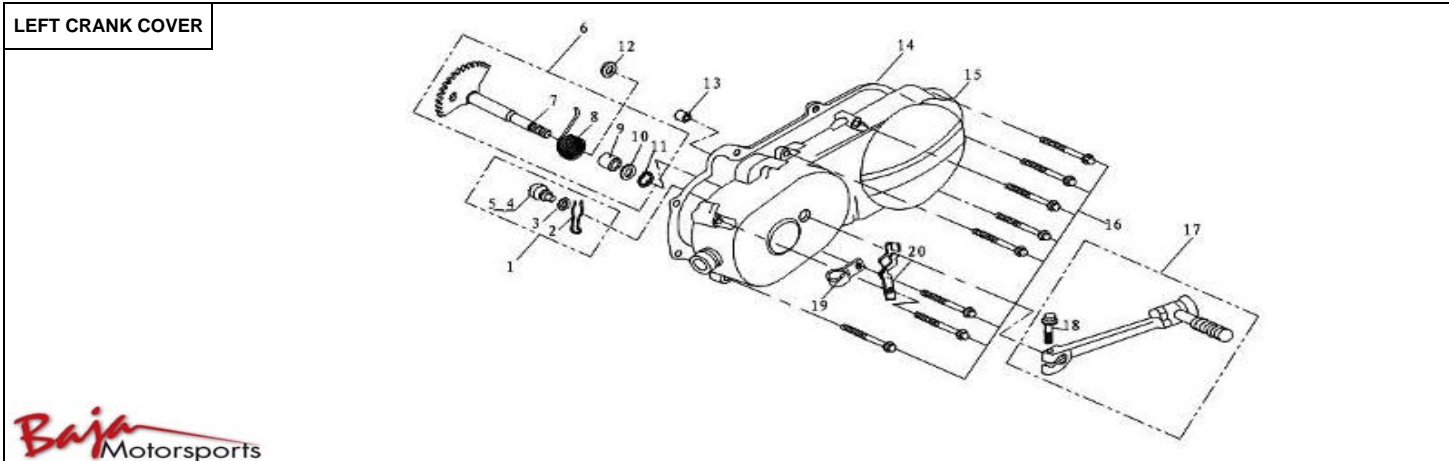


Item No.	Part No.	UPC Number	Description	Baja Description	Qty Shipped per order	Qty.
1	SC50S-156	883099108211	BOLT M6-1.0X21, ALLEN (PT/S)		1	1
2	SC50S-157	883099108228	O-RING 15.5x1.5		1	1
3	SC50S-158	883099108235	TENSIONER CHAIN		1	1
4	SC50S-159	883099108242	CHAIN, TIMER		1	1
5	SC50S-160	883099108259	GUIDE COMP, CHAIN		1	1
6	SC50S-161	883099108273	BOLT M6-1.0X18, FLANGE (FT)		2	2
7	SC50S-162	883099108280	CYLINDER ASSY.		1	1
8	SC50S-163	883099108297	BOLT TOO LARGE TO MEASURE		1	1
9	SC50S-164	883099108303	GASKET, CHAIN ADJUST		1	1
10	SC50S-165	883099108310	PIN, DOWEL 8x14		2	2
11	SC50S-166	883099108327	GASKET, CYLINDER		1	1

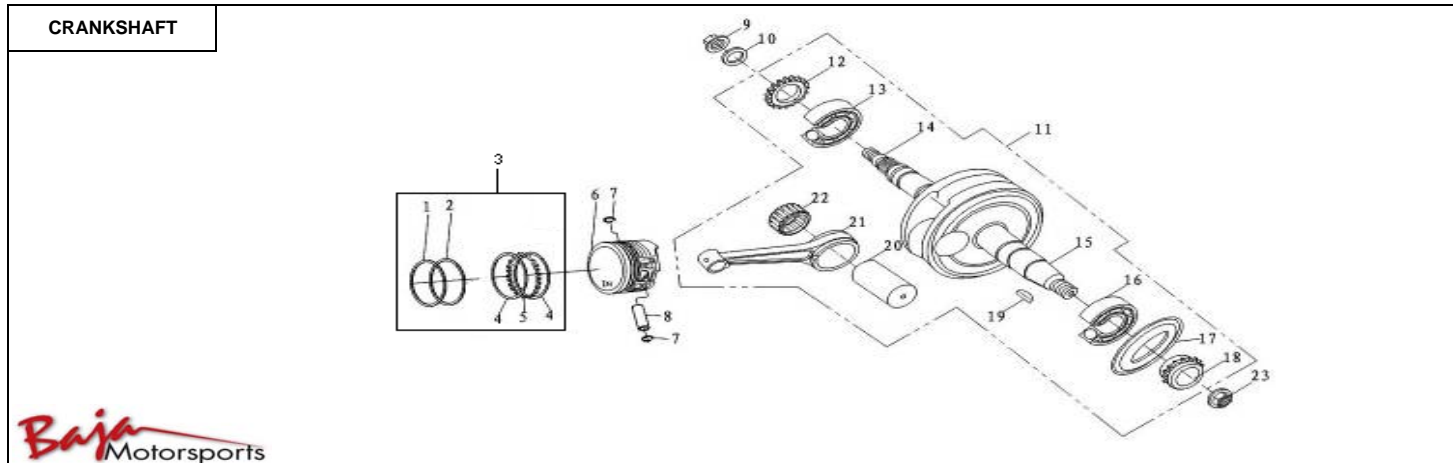
LEFT CRANKCASE						
						
						
Item No.	Part No.	UPC Number	Description	Baja Description	Qty Shipped per order	Qty.
1	SC50S-188	883099108563	O-RING 11.3×1.3		1	1
2	SC50S-189	883099108570	CAM, RR. BRAKE		1	1
3	SC50S-190	883099108587	SHOE ASSY, RR. BRAKE		2	2
4	SC50S-191	883099108594	SPRING, BRAKE SHOE		2	2
5	SC50S-192	883099108600	TRANSMISSION COVER COMP.		1	1
6	SC50S-193	883099108617	PIN, BRAKE SHOE ANCHOR		1	1
7	SC50S-194	883099108624	O-RING 7.5×1.5		1	1
8			TRANSMISSION COVER	AVAILABLE WITH SC50S-192		1
9	SC50S-195	883099108631	NUT M8-1.25X8, FLANGE SELF LOCK		1	1
10	SC50S-196	883099108648	BEARING BALL RADIAL 6201		2	2
11	SC50S-197	883099108655	BEARING BALL RADIAL 6004-2RS		1	1
12	SC50S-198	883099108662	OIL SEAL 27×42×7		1	1
13	SC50S-199	883099108679	GASKET, TRANSMISSION COVER		1	1
14	SC50S-200	883099108723	PIN, DOWEL 10×20		2	2
15	SC50S-201	883099108730	TRANSMISSION COMP.		1	1
16	SC50S-202	883099108747	NUT M16-1.5X16, FLANGE SELF LOCK		1	1

LEFT CRANKCASE						
						
						
Item No.	Part No.	UPC Number	Description	Baja Description	Qty Shipped per order	Qty.
17	SC50S-203	883099108754	SHAFT, FINAL		1	1
18			CIRCLIP,EXTERNAL 20	AVAILABLE WITH SC50S-203		1
19	SC50S-205	883099108778	GEAR, FINAL		1	1
20	SC50S-206	883099108785	NUT M10-1.25X10, FLANGE		1	1
21	SC50S-207	883099108792	SHAFT, DRIVE		1	1
22	SC50S-208	883099108808	GEAR AND SHAFT ASSY,CENTER		1	1
23	SC50S-209	883099108815	WASHER M12X20X2, PLASTIC PLATE		1	1
24			SPRING, BRAKE ARM	AVAILABLE WITH SC50S-211		1
25	SC50S-211	883099108839	ARM ASSY, RR.BRAKE		1	1
26	SC50S-212	883099108846	BOLT M6-1.0X32, FLANGE (PT)		1	1
27	SC50S-213	883099108853	CRANKCASE COMP.,L.		1	1
28			CRANKCASE ASSY.,L.	AVAILABLE WITH SC50S-213		1
29	SC50S-214	883099108860	BEARING BALL RADIAL 6203		1	1
30	SC50S-215	883099108877	BEARING BALL RADIAL 6201		1	1
31	SC50S-216	883099108884	BEARING BALL RADIAL 6203A-42		1	1
32	SC50S-217	883099108891	OIL SEAL 20*30*5		1	1

LEFT CRANKCASE						
Item No.	Part No.	UPC Number	Description	Baja Description	Qty Shipped per order	Qty.
33	SC50S-218	883099108907	BUSH,RR.CUSHION UNDER RUBBER		1	1
34			COLLAR,STARTER	AVAILABLE WITH SC50S-213		1
35	SC50S-220	883099108921	OIL SEAL 17*30*6		1	1
36			COLLAR, BEARING	AVAILABLE WITH SC50S-213		1
37	SC50S-222	883099108945	BUSH, ENGINE HANGER RUBBER		1	1
38	SC50S-223	883099108952	PIN, FIXUP		1	1
39	SC50S-224	883099108969	WASHER M12X20X1, PLATE		2	2
40	SC50S-225	883099108976	BOLT M8-1.25X12, FLANGE (FT)		2	2
41	SC50S-226	883099108983	BOLT M8-1.25X40, FLANGE (PT)		3	5
42	SC50S-227	883099108990	BOLT M8-1.25X35, FLANGE (PT)		2	2
43	SC50S-228	883099109003	BOLT M12-1.5X15, FLANGE (FT)		1	1
44			WASHER,SEALING	AVAILABLE WITH SC50S-213		1
45	SC50S-230	883099109027	STUD BOLT M7-1.0X175		2	2
46	SC50S-231	883099109034	PIN, DOWEL		2	2

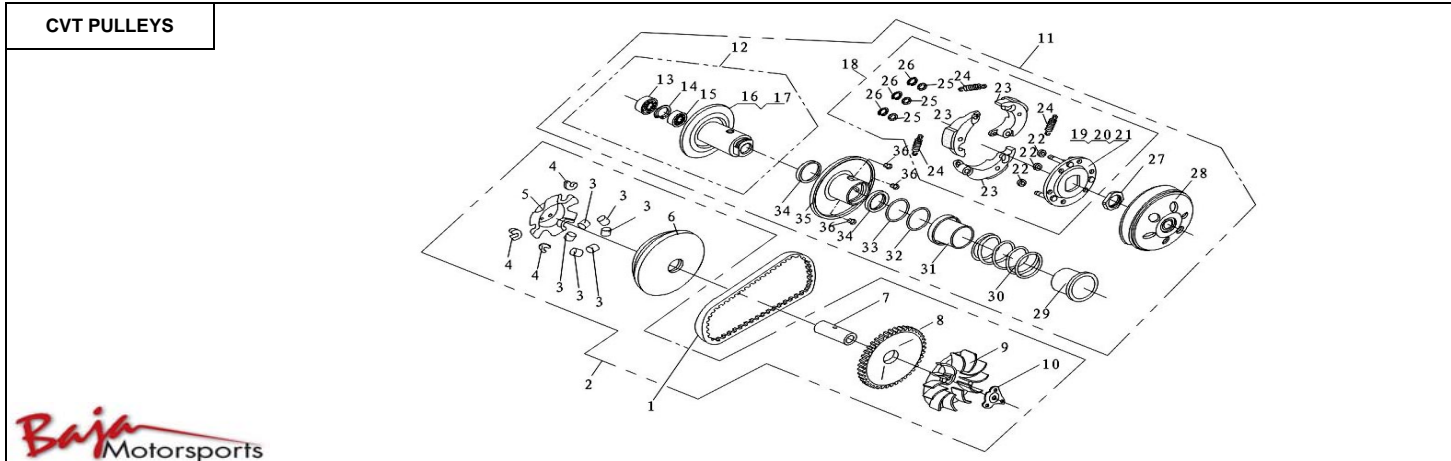


Item No.	Part No.	UPC Number	Description	Baja Description	Qty Shipped per order	Qty.
1	SC50S-232	883099109041	DETENT AND GEAR ASSY, STARTER		1	1
2			SPRING, KICK STARTER	AVAILABLE WITH SC50S-232		1
3			WASHER	AVAILABLE WITH SC50S-232		1
4			DETENT STARTER	AVAILABLE WITH SC50S-232		1
5			GEAR AND SHAFT, STARTER	AVAILABLE WITH SC50S-232		1
6	SC50S-237	883099109096	SHAFT ASSY, KICK STARTER		1	1
7	SC50S-238	883099109102	SPINDLE ASSY, KICK STARTER		1	1
8	SC50S-239	883099109119	SPRING, KICK STARTER		1	1
9			COVER	AVAILABLE WITH SC50S-237		1
10			WASHER	AVAILABLE WITH SC50S-237		1
11			CIRCLIP 14	AVAILABLE WITH SC50S-237		1
12			PLASTIC HOOP	AVAILABLE WITH SC50S-237		1
13			BUSH, STARTER	AVAILABLE WITH SC50S-237		1
14	SC50S-245	883099109171	GASKET, COVER L.		1	1
15	SC50S-246	883099109188	COVER, L.		1	1
16	SC50S-247	883099109195	BOLT M6×35		4	8

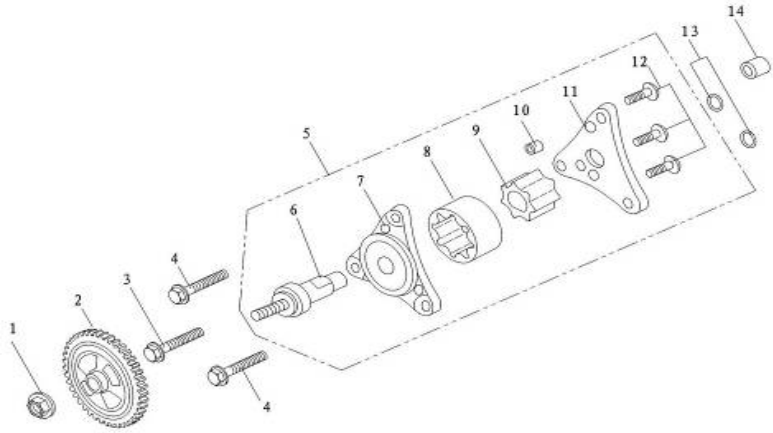



Item No.	Part No.	UPC Number	Description	Baja Description	Qty Shipped per order	Qty.
1			RING, PISTON (FIRST)	AVAILABLE WITH SC50S-252		1
2			RING, PISTON(SECOND)	AVAILABLE WITH SC50S-252		1
3	SC50S-252	883099109249	RING SET ASSY, PISTON (OIL)		1	1
4			RING SET	AVAILABLE WITH SC50S-252		2
5			RING SET, LINING	AVAILABLE WITH SC50S-252		1
6	SC50S-253	883099109256	PISTON		1	1
7	SC50S-254	883099109263	CIRCLIP, PIN OF PISTON		2	2
8	SC50S-255	883099109270	PIN, PISTON		1	1
9	SC50S-256	883099109287	NUT M12-1.25X11, FLANGE		1	1
10	SC50S-257	883099109294	WASHER 12		1	1
11	SC50S-258	883099109300	CRANKSHFT ASSY.		1	1
12			SPROCKET, TIMING DRIVEK	AVAILABLE WITH SC50S-258		1
13			BEARING BALL 6204/P63	AVAILABLE WITH SC50S-258		1
14			CRANK, LEFT	AVAILABLE WITH SC50S-258		1
15			CRANK, RIGHT	AVAILABLE WITH SC50S-258		1
16			BEARING BALL RADIAL	AVAILABLE WITH SC50S-258		1

CVT PULLEYS						
Item No.	Part No.	UPC Number	Description	Baja Description	Qty Shipped per order	Qty.
1	SC50S-260	883099109324	BELT DRIVE	BELT, DRIVE (#669 18.1)	1	1
2	SC50S-261	883099109331	FACE COMP, DRIVE		1	1
3			ROLLER, SET WEIGHT	AVAILABLE WITH SC50S-261		6
4			PIECE, RAMP	AVAILABLE WITH SC50S-261		3
5			PLATE, RAMP	AVAILABLE WITH SC50S-261		1
6			FACE ASSY, MOVABLE DRIVE	AVAILABLE WITH SC50S-261		1
7			COLLAR, SHAFT	AVAILABLE WITH SC50S-261		1
8			FACE, DRIVE	AVAILABLE WITH SC50S-261		1
9	SC50S-268	883099109409	FAN		1	1
10			PALLAT, STARTER	AVAILABLE WITH SC50S-261		1
11	SC50S-270	883099109423	PULLEY COMP, DRIVER		1	1
12			FACE ASSY, MOVABLE DRIVE	AVAILABLE WITH SC50S-270		1
13			BEARING BALL 6901U	AVAILABLE WITH SC50S-270		1
14			CIRCLIP 24	AVAILABLE WITH SC50S-270		1
15			BEARING, NEEDLE	AVAILABLE WITH SC50S-270		1
16			MILLSTONES, MOVABLE DRIVE FACE	AVAILABLE WITH SC50S-270		1

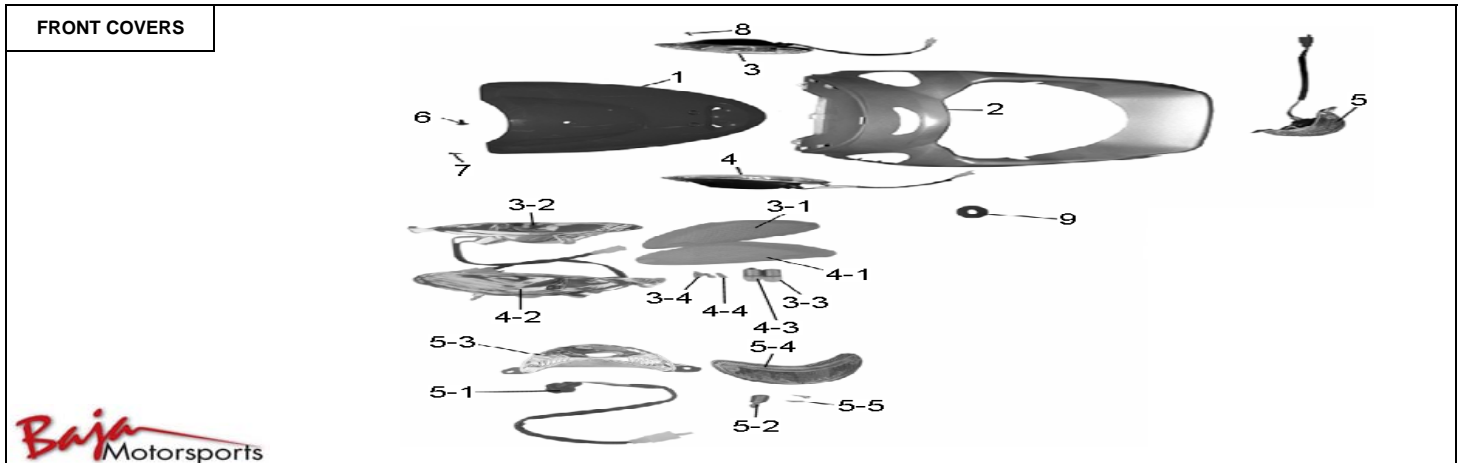


Item No.	Part No.	UPC Number	Description	Baja Description	Qty Shipped per order	Qty.
17			MILLSTONES SEAT, MOVABLE DRIVE FACE	AVAILABLE WITH SC50S-270		1
18			PLATE ASSY, DRIVE	AVAILABLE WITH SC50S-270		1
19			PIN, DOWEL	AVAILABLE WITH SC50S-270		3
20			COLLAR, FIXING	AVAILABLE WITH SC50S-270		1
21			PIN, FIXING	AVAILABLE WITH SC50S-270		3
22			RUBBER, CLUTCH DAMPER	AVAILABLE WITH SC50S-270		3
23			WEIGHT SET CLUTCH	AVAILABLE WITH SC50S-270		3
24			SPRING, CLUTCH	AVAILABLE WITH SC50S-270		3
25			WASHER	AVAILABLE WITH SC50S-270		3
26			CIRCLIP	AVAILABLE WITH SC50S-270		3
27			NUT, SPECIAL	AVAILABLE WITH SC50S-270		1
28			OUTER CLUTCH	AVAILABLE WITH SC50S-270		1
29			COLLAR, SEAL	AVAILABLE WITH SC50S-270		1
30			SPRING, DRIVEN FACE	AVAILABLE WITH SC50S-270		1
31			COLLAR, SPRING	AVAILABLE WITH SC50S-270		1
32			O-RING 36×1.5	AVAILABLE WITH SC50S-270		1

OIL PUMP						
						
						
Item No.	Part No.	UPC Number	Description	Baja Description	Qty Shipped per order	Qty.
1	SC50S-296	883099109683	NUT M6-1.0X6, FLANGE		1	1
2	SC50S-297	883099109690	GEAR, OIL PUMP DRIVEN		1	1
3	SC50S-298	883099109706	BOLT M6-1.0X25, FLANGE (FT)		1	1
4	SC50S-299	883099109713	BOLT M6-1.0X22, FLANGE (FT)		2	2
5	SC50S-300	883099109720	PUMP ASSY, OIL		1	1
6			SHAFT, OIL PUMP	AVAILABLE WITH SC50S-300		1
7			BODY, OIL PUMP	AVAILABLE WITH SC50S-300		1
8			ROTOR, OIL PUMP OUTER	AVAILABLE WITH SC50S-300		1
9			ROTOR, OIL PUMP INNER	AVAILABLE WITH SC50S-300		1
10			PIN 4x6.5	AVAILABLE WITH SC50S-300		1
11			PLATE, OIL PUMP	AVAILABLE WITH SC50S-300		1
12			SCREW, PAN M4x10	AVAILABLE WITH SC50S-300		3
13			O-RING 9x1.6	AVAILABLE WITH SC50S-300		2
14			PIN, DOWEL 8x12	AVAILABLE WITH SC50S-300		1

FRONT COVERS						
Item No.	Part No.	UPC Number	Description	Baja Description	Qty Shipped per order	Qty.
1	SC50S-566	883099135101	REAR VIEW MIRROR ASSY.	RIGHT AND LEFT MIRROR ASSEMBLY	2	2
1-1	SC50S-319	883099109911	LEFT MIRROR		1	1
1-2	SC50S-320	883099109928	RIGHT MIRROR		1	1
1-3			DUSTPROOF BUSH, MIRROR	AVAILABLE WITH SC50S-319 & SC50S-320		2
1-4			NUT M8	AVAILABLE WITH SC50S-319 & SC50S-320		2
2	SC50S-323	883099109959	HEADLIGHT		1	1
2-1			CABLE R. LIGHT	AVAILABLE WITH PART SC50S-323		1
2-2			FRONT LIGHT CASE	AVAILABLE WITH PART SC50S-323		1
2-3			MAIN BODY, HEADLIGHT	AVAILABLE WITH PART SC50S-323		1
2-4	SC50S-567	883099145162	BULB, HEADLIGHT	AVAILABLE WITH PART SC50S-323	1	1
2-5			TIE-IN, FRONT LIGHT	AVAILABLE WITH PART SC50S-323		1
3	SC50S-324	883099109966	SPEEDOMETER COVER		1	1
4	SC50S-325	883099109973	SPEEDOMETER		1	1
4-1			METER CABLE	AVAILABLE WITH PART SC50S-325		1
4-2			BULB OF SPEEDOMETER LIGHT	AVAILABLE WITH PART SC50S-325		4
4-3			METER CASE A	AVAILABLE WITH PART SC50S-325		1

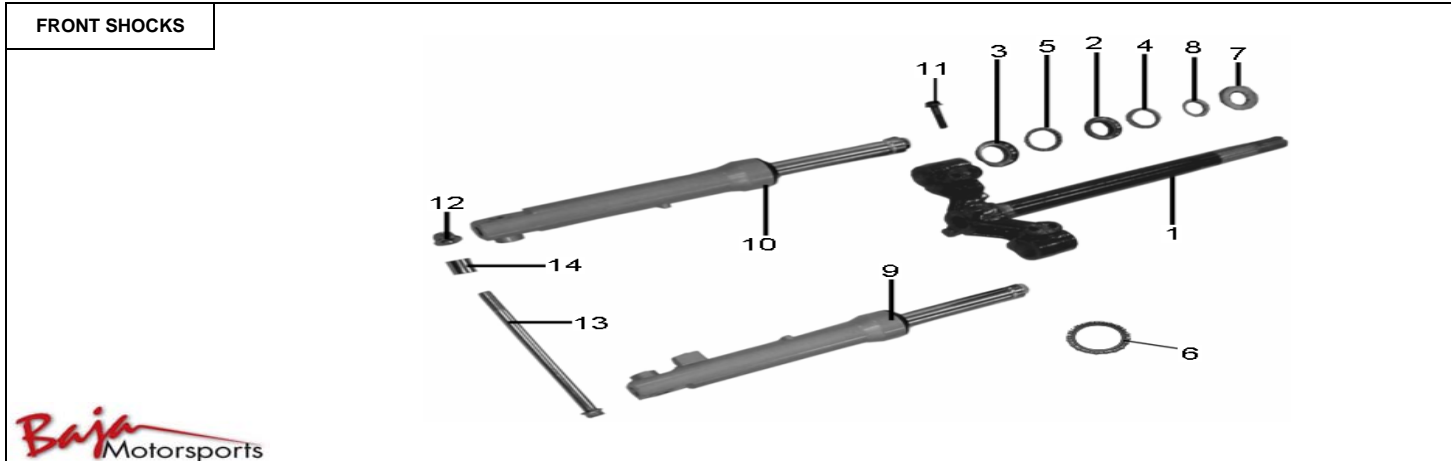
FRONT COVERS						
Item No.	Part No.	UPC Number	Description	Baja Description	Qty Shipped per order	Qty.
4-4			METER COVER	AVAILABLE WITH PART SC50S-325		1
4-5			METER DIAL PLATE	AVAILABLE WITH PART SC50S-325		1
4-6			SCREW M3X22	AVAILABLE WITH PART SC50S-325		3
4-7			SCREW M4X8	AVAILABLE WITH PART SC50S-325		2
4-8			SELF-TAPPING SCREW ST4.2X16	AVAILABLE WITH PART SC50S-325		2
5	SC50S-326	883099109980	FRONT COVER, HANDLEBAR		1	1
6	SC50S-327	883099109997	BOLT M6-1.0X16, ROUND (FT)		1	1
7	SC50S-328	883099110009	BOLT M5-0.8X24, ROUND (FT)		1	1
8	SC50S-321	883099109935	SCREW M4X16, ROUND		3	3
9	SC50S-322	883099109942	SCREW M6X14, ROUND		2	2
10	SC50S-329	883099110016	SCREW M4X12, ROUND		1	1
11	SC50S-573	883099145933	BRACKET, LEFT TURN SIGNAL		1	1
12	SC50S-574	883099145940	BRACKET, RIGHT TURN SIGNAL		1	1
13	SC50S-575	883099145957	SIGNAL, LEFT TURN		1	1
14	SC50S-576	883099145964	SIGNAL, RIGHT TURN		1	1



Item No.	Part No.	UPC Number	Description	Baja Description	Qty Shipped per order	Qty.
1	SC50S-330	883099110023	FRONT COVER		1	1
2	SC50S-332	883099110047	BOTTOM OF FRONT PANEL		1	1
3	SC50S-333	883099110054	FRONT LEFT TURN SIGNAL		1	1
3-1			CASE FR. L. TURNNING LIGHT	AVAILABLE WITH SC50S-333		
3-2			HOLDER FR. L. TURNNING LIGHT	AVAILABLE WITH SC50S-333		
3-3	SC50S-568	883099145179	BULB FR. L. TURNNING LIGHT	AVAILABLE WITH SC50S-333	1	
3-4			SELF-TAPPING SCREW ST3.9X13	AVAILABLE WITH SC50S-333		
4	SC50S-334	883099110061	FRONT RIGHT TURN SIGNAL		1	1
4-1			CASE FR. R. TURNNING LIGHT	AVAILABLE WITH SC50S-334		
4-2			HOLDER FR. R. TURNNING LIGHT	AVAILABLE WITH SC50S-334		
4-3	SC50S-569	883099145186	BULB FR. R. TURNNING LIGHT	AVAILABLE WITH SC50S-334	1	
4-4			SELF-TAPPING SCREW ST3.9X13	AVAILABLE WITH SC50S-334		
5	SC50S-337	883099110092	FRONT LIGHT		1	1
5-1			CABLE, FRONT DECORATIVE LIGHT	AVAILABLE WITH SC50S-337		
5-2	SC50S-570	883099145193	BULB, FRONT DECORATIVE LIGHT	AVAILABLE WITH SC50S-337	1	
5-3			HOLDER, FRONT DECORATIVE LIGHT	AVAILABLE WITH SC50S-337		

TOOL BOXES						
Item No.	Part No.	UPC Number	Description	Baja Description	Qty Shipped per order	Qty.
1	SC50S-341	883099110139	FRONT PART, TOOL BOX		1	1
2	SC50S-342	883099110146	REAR PART, TOOL BOX		1	1
3	SC50S-343	883099110153	HOOK, TOOL BOX		1	1
4	SC50S-345	883099110177	IGNITION LOCK		1	1
4-1			IGNITION LOCK	AVAILABLE WITH PART SC50S-345		1
4-2			BRACKET, SEAT LOCK	AVAILABLE WITH PART SC50S-345		1
4-3			SEAT LOCK BRACKET	AVAILABLE WITH PART SC50S-345		1
4-4			PLATE OF SEAT LOCK	AVAILABLE WITH PART SC50S-345		1
4-5			BRACKET, SEAT LOCK	AVAILABLE WITH PART SC50S-345		1
4-6			KEY	AVAILABLE WITH PART SC50S-345		2
4-7			CAP OF FUEL TANK	AVAILABLE WITH PART SC50S-345		1
5	SC50S-347	883099110191	SCREW M4X16, ROUND		4	8
6	SC50S-348	883099110207	SCREW M5X14, ROUND		4	4
7	SC50S-344	883099110160	BOLT M6-1.0X16, ROUND (FT)		1	1
8	SC50S-349	883099110214	HEXAGON BOLT M16*16		2	2
9	SC50S-489	883099111617	VIN NUMBER COVER		1	1
10	SC50S-493	883099111655	FIXED BOARD, HELM HOOK		1	1

HANDLEBARS						
Item No.	Part No.	UPC Number	Description	Baja Description	Qty Shipped per order	Qty.
1	SC50S-350	883099110221	HANDLEBAR		1	1
2	SC50S-351	883099110238	LEFT GRIP		1	1
3	SC50S-352	883099110245	RIGHT GRIP		1	1
4	SC50S-353	883099110252	SWITCH, LEFT		1	1
4-1			FRONT PARTS, LEFT HANDLE GRIP SWITCH	AVAILABLE WITH PART SC50S-353		1
4-2			BACK PARTS, LEFT HANDLE GRIP SWITCH	AVAILABLE WITH PART SC50S-353		1
4-3			LEFT HANDLE GRIP	AVAILABLE WITH PART SC50S-353		1
4-4			SWITCH CABLE, REAR BRAKE	AVAILABLE WITH PART SC50S-353		1
4-5			NUT M5	AVAILABLE WITH PART SC50S-353		1
4-6			BOLT M5*22	AVAILABLE WITH PART SC50S-353		1
4-7			HEXAGON BOLT M5*22	AVAILABLE WITH PART SC50S-353		1
4-8			HEXAGON BOLT M5*30	AVAILABLE WITH PART SC50S-353		1
5	SC50S-354	883099110269	SWITCH, RIGHT		1	1
5-1			FRONT PARTS, RIGHT HANDLE GRIP	AVAILABLE WITH PART SC50S-354		1
5-2			BACK PARTS, RIGHT HANDLE GRIP	AVAILABLE WITH PART SC50S-354		1
5-3			HEXAGON BOLT M5X22	AVAILABLE WITH PART SC50S-354		1



Item No.	Part No.	UPC Number	Description	Baja Description	Qty Shipped per order	Qty.
1	SC50S-357	883099110290	STEERING COLUMN		1	1
2	SC50S-361	883099110337	UPPER COVER BEARING BOWL		1	1
3	SC50S-362	883099110344	UNDER COVER BEARING RACE		1	1
4	SC50S-369	883099110412	UNDER COVER BEARING BOWL		1	1
5	SC50S-360	883099110320	BALL		1	1
6	SC50S-494	883099111662	UNDER BALL		1	1
7	SC50S-358	883099110306	UPPER COVER, BEARING BOWL		1	1
8	SC50S-359	883099110313	NUT M26-1.25X8, HEX		1	1
9	SC50S-364	883099110368	FRONT LEFT ABSORBER ASSY		1	1
10	SC50S-365	883099110375	FRONT RIGHT ABSORBER ASSY		1	1
11	SC50S-363	883099110351	BOLT M8-1.25X40, FLANGE (PT)		1	1
12	SC50S-366	883099110382	NUT M12-1.25X12, FLANGE SELF LOCK		1	1
13	SC50S-368	883099110405	FRONT AXLE		1	1
14	SC50S-367	883099110399	BUSHING		1	1

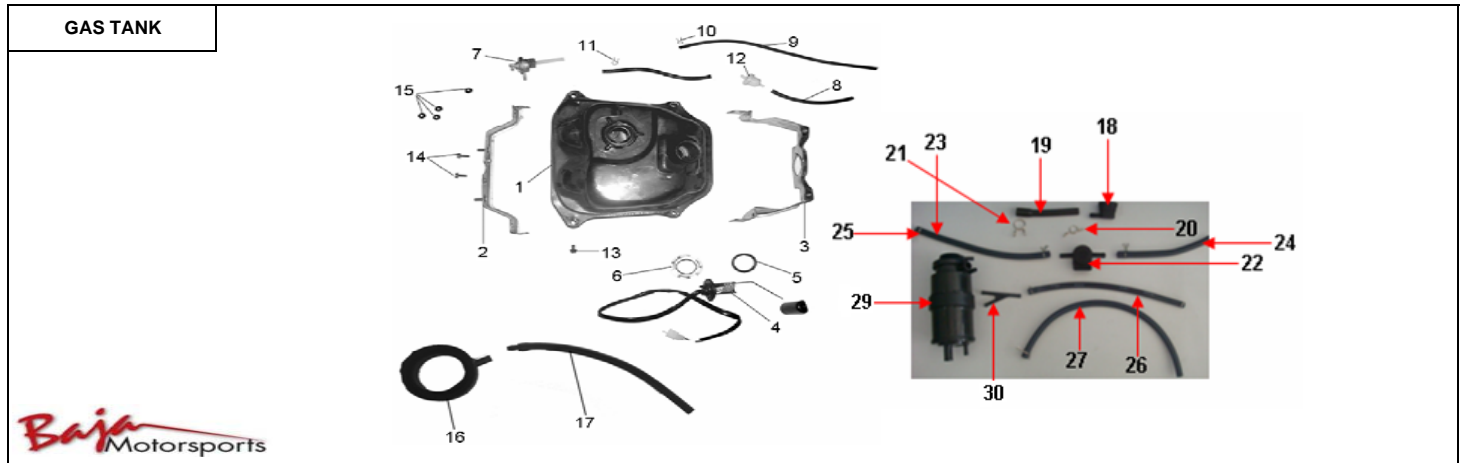
FRONT BRAKE						
Item No.	Part No.	UPC Number	Description	Baja Description	Qty Shipped per order	Qty.
1	SC50S-370	883099110429	FRONT TIRE		1	1
2	SC50S-371	883099110436	FRONT WHEEL		1	1
2-1			SHELL, RIM FRONT WHEEL	AVAILABLE WITH SC50S-371		1
2-2			BEARING, RIM FRONT WHEEL	AVAILABLE WITH SC50S-371		1
2-3			OIL SEAL, RIM FRONT WHEEL	AVAILABLE WITH SC50S-371		1
2-4			COLLAR, RIM FRONT WHEEL	AVAILABLE WITH SC50S-371		1
3	SC50S-372	883099110443	GEAR OF SPEEDOMETER		1	1
3-1			MAIN BODY	AVAILABLE WITH SC50S-372		
3-2			OIL SEALER	AVAILABLE WITH SC50S-372		
3-3			DRAIVEN GEAR	AVAILABLE WITH SC50S-372		
3-4			DRAIVEN FLAKE	AVAILABLE WITH SC50S-372		
3-5			COLLAR	AVAILABLE WITH SC50S-372		
4	SC50S-373	883099110450	VALVE STEM		1	1
5	SC50S-374	883099110467	BRAKE DISK		1	1
6	SC50S-375	883099110474	BOLT M8-1.25X24, ALLEN (PT)		3	3
7			BRAKE ASSEMBLY	NOT AVAILABLE		1

FRONT BRAKE						
Item No.	Part No.	UPC Number	Description	Baja Description	Qty Shipped per order	Qty.
7-1			UPPER PUMP DISK PLATE	AVAILABLE WITH SC50S-380		
7-2			COVER, UPPER PUMP DISK PLATE	AVAILABLE WITH SC50S-380		
7-3			SEAL, UPPER PUMP DISK PLATE	AVAILABLE WITH SC50S-380		
7-4			TAPPING BOLT BRAKE SWITCH	AVAILABLE WITH SC50S-380		
7-5			Left lever	AVAILABLE WITH SC50S-380		
7-6			NUT M6	AVAILABLE WITH SC50S-380		
7-7			BOLT M6*32	AVAILABLE WITH SC50S-380		
7-8			Brake light switch	AVAILABLE WITH SC50S-380		
7-9			PLATE OF DISK	AVAILABLE WITH SC50S-380		1
7-10			HEXAGON BOLT M6X22	AVAILABLE WITH SC50S-380		2
7-11	SC50S-381	883099110535	BRAKE HOSE		1	1
7-12			BOTTOM PUMP DISK PLATE	AVAILABLE WITH SC50S-376		
7-13	SC50S-519	883099111914	BRAKE PADS		2	2
7-14			ASSEMBLE BOLTM8*65DISK BRAKE	AVAILABLE WITH SC50S-376		
7-15			ASSEMBLE BLE HOLDER BRAKE	AVAILABLE WITH SC50S-376		
7-16			DUSTPROOF COLLAR 1, FR. DISK BRAKE			1

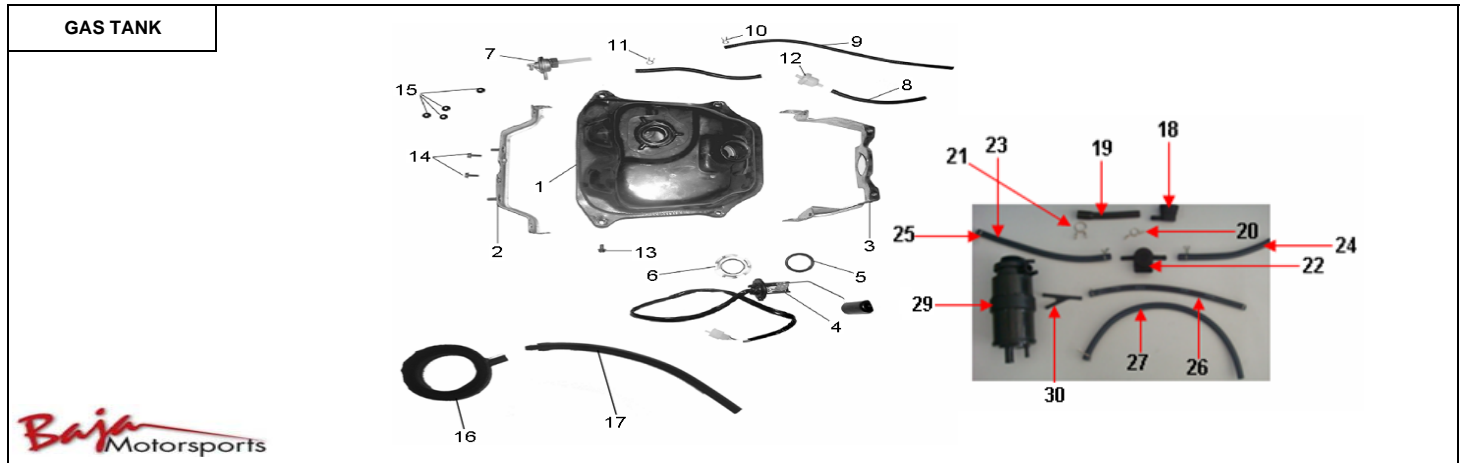
FLOORBOARD						
Item No.	Part No.	UPC Number	Description	Baja Description	Qty Shipped per order	Qty.
1	SC50S-392	883099110641	FRONT SHROUD		1	1
2	SC50S-393	883099110658	CLIP M6		1	1
3	SC50S-394	883099110665	SCREW M4X16, ROUND		2	2
4	SC50S-395	883099110672	FOOTBOARD		1	1
5	SC50S-396	883099110689	BATTERY BOX		1	1
6	SC50S-397	883099110696	SCREW M4X15, ROUND		1	1
7	SC50S-398	883099110702	CLIPΦ4.2		4	8
8	SC50S-399	883099110719	BOLT M6-1.0X12, FLANGE (FT)		4	8
9	SC50S-400	883099110726	HOOK, HELMET		1	1
10	SC50S-401	883099110733	BOLT M6-1.0X25, FLANGE (FT)		2	4
11	SC50S-402	883099110740	RUBBER FLOOR MAT		1	1
12	SC50S-524	883099111969	BATTERY COVER		1	1

SIDE PANELS						
Item No.	Part No.	UPC Number	Description	Baja Description	Qty Shipped per order	Qty.
1	SC50S-403	883099110757	LEFT PROTECTING PLATE		1	1
2	SC50S-404	883099110764	RIGHT PROTECTING PLATE		1	1
3	SC50S-405	883099110771	REAR PLATE		1	1
4	SC50S-406	883099110788	PLASTIC PLATE LEFT		1	1
5	SC50S-407	883099110795	PLASTIC PLATE RIGHT		1	1
6	SC50S-408	883099110801	REAR PLASTIC PLATE		1	1
7	SC50S-411	883099110832	SCREW M4X15, ROUND		3	6
8	SC50S-414	883099110863	SCREW M4X13, ROUND		4	4
9	SC50S-413	883099110856	SCREW M5X14, ROUND		2	2
10	SC50S-412	883099110849	SCREW M4X15, ROUND		2	2
			SEAT LOCK	AVAILABLE WITH SC50S-345		1
			BRACKET,SEAT LOCK	AVAILABLE WITH SC50S-345		1

TAILLIGHT						
Item No.	Part No.	UPC Number	Description	Baja Description	Qty Shipped per order	Qty.
1	SC50S-415	883099110870	REAR RACK		1	1
2	SC50S-416	883099110887	BOLT M8-1.25X50, FLANGE (PT)		2	2
3	SC50S-417	883099110894	BOLT M8-1.25X80, FLANGE (PT)		1	1
4	SC50S-418	883099110900	TAILLIGHT		1	1
4-1			HOWDER	AVAILABLE WITH SC50S-418		
4-2			REAR RIGHT TURNING LIGHT CASE	AVAILABLE WITH SC50S-418		
4-3			REAR LEFT TURNING LIGHT CASE	AVAILABLE WITH SC50S-418		
4-4			CASE TAIL LIGHT	AVAILABLE WITH SC50S-418		
4-5	SC50S-571	883099145209	TAILLIGHT BULB	AVAILABLE WITH SC50S-418	1	1
4-6			REAR TURNING LIGHT BULB	AVAILABLE WITH SC50S-418		
4-7			SELF-TAPPING SCREW ST4.2*12	AVAILABLE WITH SC50S-418		
4-8			SELF-TAPPING SCREW ST2.9*12	AVAILABLE WITH SC50S-418		
4-9			INSERT PIECE M5	AVAILABLE WITH SC50S-418		
4-10			Clip ST4.8	AVAILABLE WITH SC50S-418		4

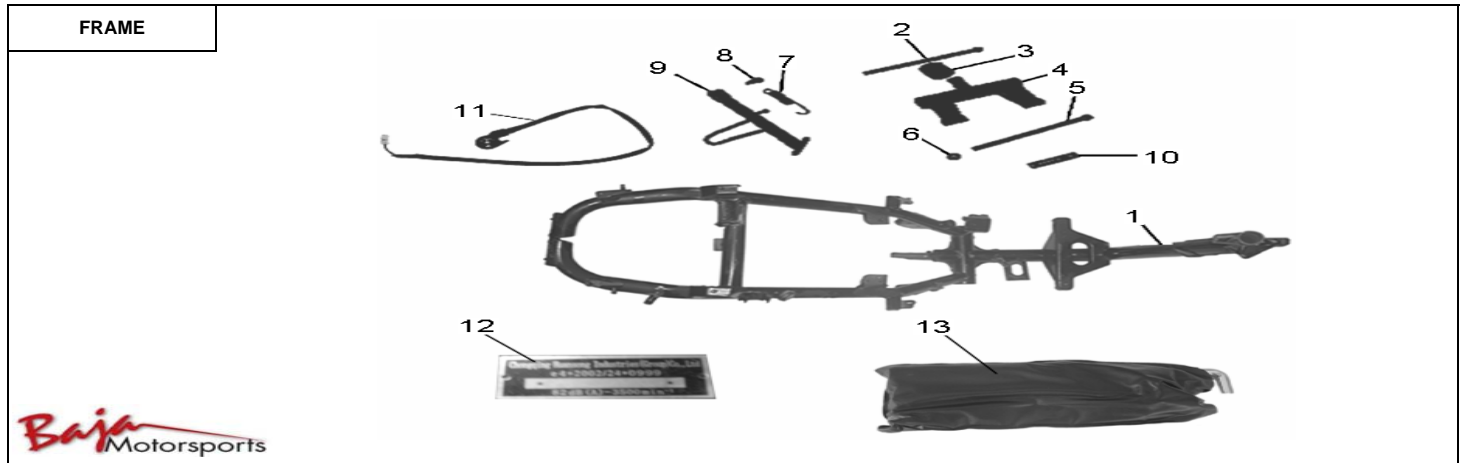


Item No.	Part No.	UPC Number	Description	Baja Description	Qty Shipped per order	Qty.
1	SC50S-423	883099110955	FUEL TANK		1	1
2	SC50S-424	883099110962	FRONT BRACKET OF FUEL TANK		1	1
3	SC50S-425	883099110979	REAR BRACKET OF FUEL TANK		1	1
4	SC50S-427	883099110993	FUEL SENSOR UNIT		1	1
5	SC50S-429	883099111013	WASHER FUEL SENSOR UNIT		1	1
6	SC50S-428	883099111006	PLATE FUEL SENSOR UNIT		1	1
7	SC50S-430	883099111020	FUEL PETCOCK		1	1
8	SC50S-433	883099111051	IOL PIPE ϕ 4.5* ϕ 8.5		1	1
9	SC50S-434	883099111068	GAS HOSE ϕ 4* ϕ 7		1	1
10	SC50S-436	883099111082	CLIP SPRING ϕ 6		2	2
11	SC50S-435	883099111075	CLIP SPRING ϕ 8		2	4
12	SC50S-437	883099111099	FUEL FILTER		1	1
13	SC50S-438	883099111105	BOLT M6-1.0X12, FLANGE (FT)		2	4
14	SC50S-439	883099111112	BOLT M6-1.0X16, FLANGE (FT)		2	2
15	SC50S-440	883099111129	NUT M6-1.0X6, FLANFE SPRING LOCK		2	4
16	SC50S-525	883099111976	OILPROOF BUSH, TANK MOUTH		1	1







Item No.	Part No.	UPC Number	Description	Baja Description	Qty Shipped per order	Qty.
17	SC50S-517	883099111891	GUIDE TUBE, TANK MOUTH		1	1
	SC50S-426	883099110986	CAP OF FUEL TANK		1	1
			SEAT LOCK BRACKET	AVAILABLE WITH SC50S-345		1
	SC50S-432	883099111044	SEAT LOCK CABLE		1	1
18	SC50S-581	883099146015	FILTER		1	1
19	SC50S-582	883099146022	TUBE		1	1
20	SC50S-583	883099146039	CLIP		1	1
21	SC50S-584	883099146046	CLIP		1	1
22	SC50S-585	883099146053	VALVE, CONNECTOR		1	1
23	SC50S-586	883099146060	TUBE		1	1
24	SC50S-587	883099146077	TUBE		1	1
25	SC50S-588	883099146084	CLIP		2	4
26	SC50S-589	883099146091	TUBE		1	1
27	SC50S-590	883099146107	CLIP		2	2
28	SC50S-591	883099146114	SPRING		2	2

ELECTRICAL						
Item No.	Part No.	UPC Number	Description	Baja Description	Qty Shipped per order	Qty.
1			WIRE ASSY	USE SC50S-441 OR SC50S-442		
1-1	SC50S-441	883099111136	MAIN WIRE ASSY		1	1
1-2	SC50S-442	883099111143	WIRE ASSY		1	1
1-3	SC50S-444	883099111167	POSITIVE CABLE		1	1
1-4	SC50S-445	883099111174	NEGATIVE CABLE		1	1
1-5	SC50S-456	883099111280	FUSE 15A /250V GLASS TUBE		1	1
1-6	SC50S-455	883099111273	FUSE BOX		1	1
2	SC50S-457	883099111297	FLASHER		1	1
3	SC50S-446	883099111181	CDI		1	1
4	SC50S-448	883099111204	IGNITION COIL		1	1
5	SC50S-449	883099111211	RELAY ASSY		1	1
6	SC50S-447	883099111198	REGULATOR		1	1
7	SC50S-450	883099111228	HORN		1	1
8	SC50S-451	883099111235	HORN BRACKET		1	1
9	SC50S-452	883099111242	BOLT M6-1.0X14, FLANGE (FT)		2	2
10	SC50S-453	883099111259	NUT M6-1.0X6, FLANGE SPRING LOCK		1	1



Item No.	Part No.	UPC Number	Description	Baja Description	Qty Shipped per order	Qty.
1	SC50S-469	883099111419	FRAME ASSEMBLY		1	1
2	SC50S-470	883099111426	BOLT M10-1.25X200, FLANGE (PT)		1	1
3	SC50S-471	883099111433	BUFFER OF HANGER		1	1
4	SC50S-472	883099111440	HANGER		1	1
5	SC50S-473	883099111457	BOLT M10-1.25X240, FLANGE (PT)		1	1
6	SC50S-474	883099111464	NUT M10-1.25X10, FLANGE SELF LOCK		1	1
7	SC50S-475	883099111471	SPRING OF SIDE STAND		1	1
8	SC50S-476	883099111488	BOLT M8-1.25X23, HEX (PR/S)		1	1
9	SC50S-477	883099111495	SIDE STAND		1	1
10	SC50S-478	883099111501	BUSHING OF HANGER		1	1
11	SC50S-479	883099111518	FLAMEOUT SWITCH, SIDE CENTER		1	1
12	SC50S-536	883099121784	NAMEPLATE		1	1
13	SC50S-537	883099121791	KIT		1	1

FENDERS						
						
						
Item No.	Part No.	UPC Number	Description	Baja Description	Qty Shipped per order	Qty.
1	SC50S-326	883099109980	FRONT COVER, HANDLEBAR RED		1	1
1	SC50S-601	883099111037	FRONT COVER, HANDLEBAR BLACK		1	1
1	SC50S-607	883099111587	FRONT COVER, HANDLEBAR BLUE		1	1
1	SC50S-613	883099111730	FRONT COVER, HANDLEBAR YELLOW		1	1
1	SC50S-619	883099111938	FRONT COVER, HANDLEBAR PINK		1	1
2	SC50S-330	883099110023	FRONT COVER RED		1	1
2	SC50S-602	883099111303	FRONT COVER BLACK		1	1
2	SC50S-608	883099111631	FRONT COVER BLUE		1	1
2	SC50S-614	883099111754	FRONT COVER YELLOW		1	1
2	SC50S-620	883099111945	FRONT COVER PINK		1	1
3	SC50S-338	883099110108	FONT WHEEL FENDER A RED		1	1
3	SC50S-603	883099111525	FONT WHEEL FENDER A BLACK		1	1
3	SC50S-609	883099111648	FONT WHEEL FENDER A BLUE		1	1
3	SC50S-615	883099111761	FONT WHEEL FENDER A YELLOW		1	1
3	SC50S-621	883099115530	FONT WHEEL FENDER A PINK		1	1
4	SC50S-332	883099110047	BOTTOM OF FRONT PANEL		1	1

FENDERS						
						
						
Item No.	Part No.	UPC Number	Description	Baja Description	Qty Shipped per order	Qty.
5	SC50S-406	883099110788	PLASTIC PLATE LEFT		1	1
5	SC50S-407	883099110795	PLASTIC PLATE RIGHT		1	1
7	SC50S-403	883099110757	LEFT PROTECTING PLATE RED		1	1
7	SC50S-404	883099110764	RIGHT PROTECTING PLATE RED		1	1
7	SC50S-604	883099111532	LEFT PROTECTING PLATE BLACK		1	1
7	SC50S-605	883099111563	RIGHT PROTECTING PLATE BLACK		1	1
7	SC50S-610	883099111679	LEFT PROTECTING PLATE BLUE		1	1
7	SC50S-611	883099111709	RIGHT PROTECTING PLATE BLUE		1	1
7	SC50S-616	883099111792	LEFT PROTECTING PLATE YELLOW		1	1
7	SC50S-617	883099111808	RIGHT PROTECTING PLATE YELLOW		1	1
7	SC50S-622	883099115745	LEFT PROTECTING PLATE PINK		1	1
7	SC50S-623	883099115752	RIGHT PROTECTING PLATE PINK		1	1
8	SC50S-405	883099110771	REAR PLATE RED		1	1
8	SC50S-606	883099111570	REAR PLATE BLACK		1	1
8	SC50S-612	883099111723	REAR PLATE BLUE		1	1
8	SC50S-618	883099111921	REAR PLATE YELLOW		1	1
8	SC50S-624	883099115769	REAR PLATE PINK		1	1