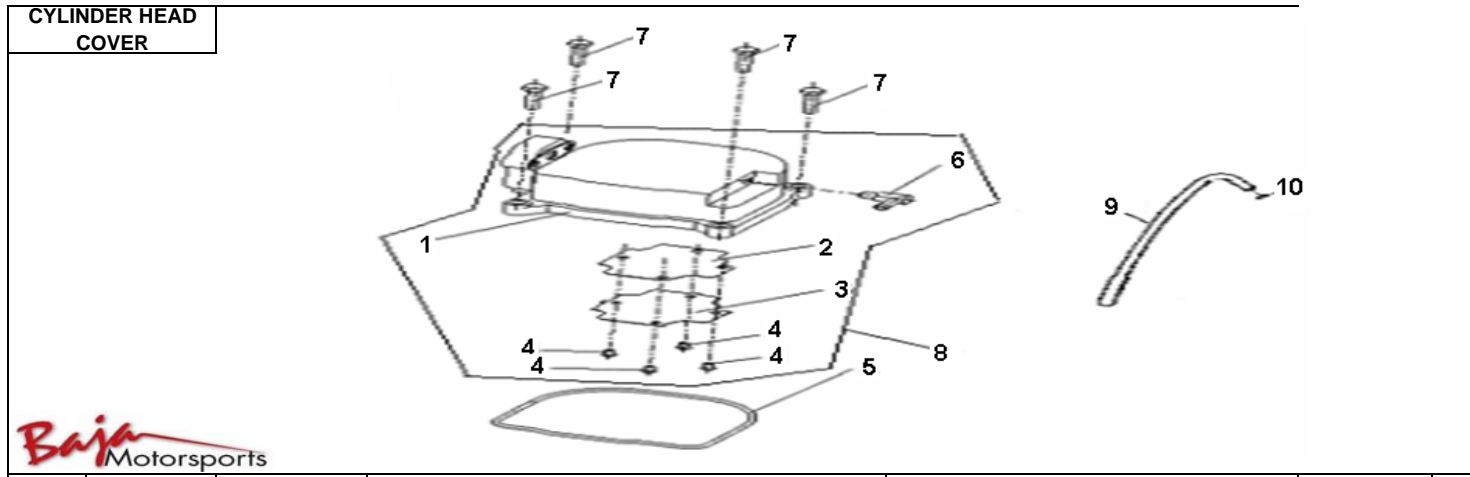
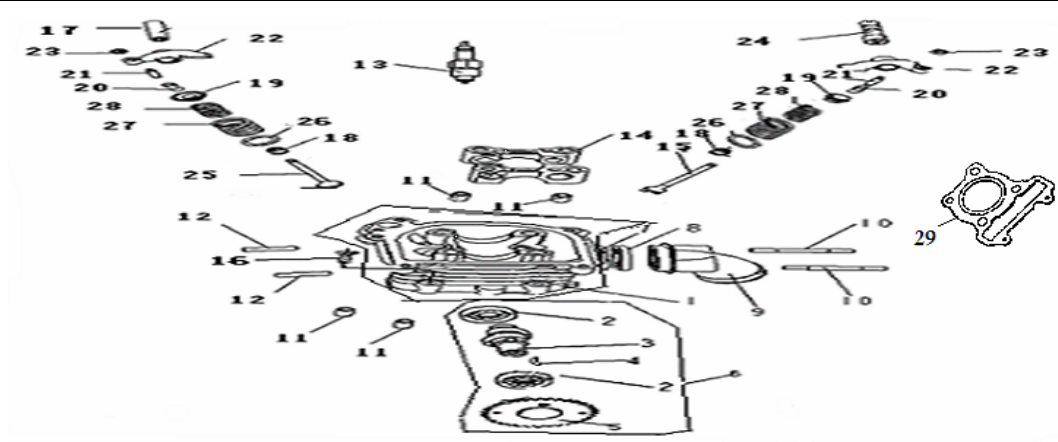


SC50

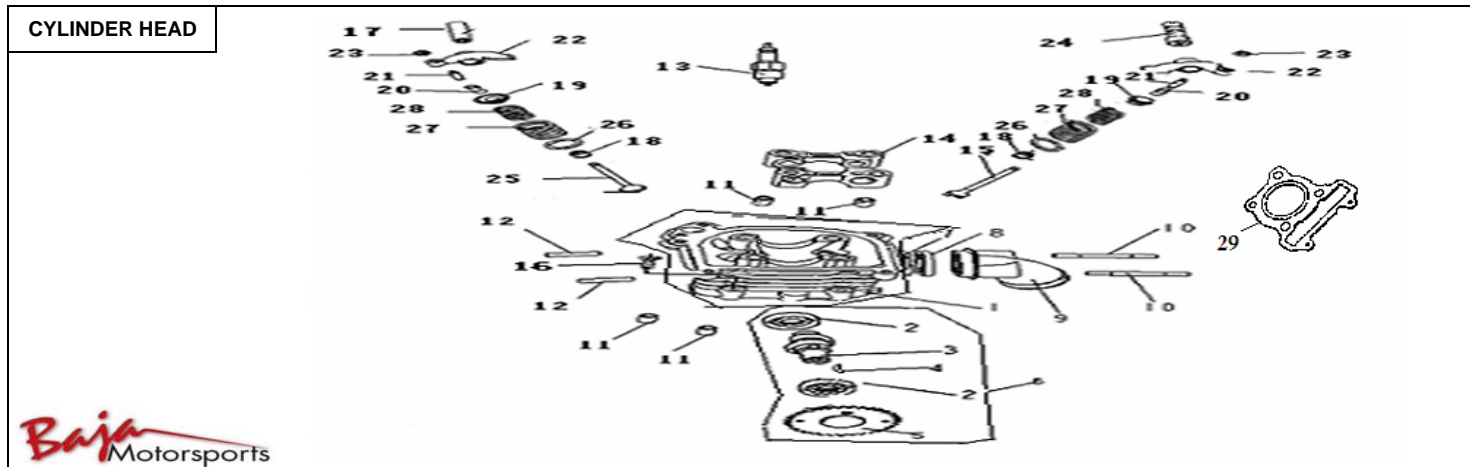




Item No.	Part No.	UPC Number	Baja Description	Qty Shipped per order	Qty.
1			COVER, CYLINDER HEAD	AVAILABLE WITH SC50-107	1
2	SC50-242	883099147524	GASKET	AVAILABLE WITH SC50-107	1
3			COVER	AVAILABLE WITH SC50-107	1
4			SCREW	AVAILABLE WITH SC50-107	4
5	SC50-104	883099000898	MOLD, COWLING	CYLINDER HEAD COVER GASKET	1
6			PLUG	AVAILABLE WITH SC50-107	1
7	SC50-106	883099000904	BOLT M6-1.0X25, FLANGE (FT)		4
8	SC50-107	883099000911	COVER ASSY, CYLINDER HEAD		1
9	SC50-108	883099000928	TUBE , BREATHER		1
10	SC50-109	883099000935	CLIP		1

CYLINDER HEAD						
Item No.	Part No.	UPC Number	DESCRIPTION	Baja Description	Qty Shipped per order	Qty.
1	SC50-110	883099000942	HEAD ASSY, CYLINDER		1	1
2			BEARING	AVAILABLE WITH SC50-115		2
3			CAMSHAFT COMP	AVAILABLE WITH SC50-115		1
4			KEY	AVAILABLE WITH SC50-115		1
5			SPROCKET	AVAILABLE WITH SC50-115		1
6	SC50-115	883099000959	SHAFT, ROCKER VALVE	CAMSHAFT ASSY	1	1
7	SC50-116	883099000966	GASKET, CARBURETOR INSULATOR		1	1
8	SC50-117	883099000973	INSULATOR CARBURETOR		1	1
9	SC50-118	883099000980	PIPE, INTAKE		1	1
10	SC50-119	883099000997	STUD BOLT M6-1.0X58		2	2
11	SC50-120	883099001000	PIN, DOWEL		2	4
12	SC50-121	883099001017	STUD BOLT M6-1.0X32		2	2
13	SC50-123	842645035470	SPARK PLUG		1	1
14	SC50-124	883099001024	HOLDER, CAMSHAFT		1	1
15	SC50-125	883099001031	INLET VALVE		1	1
16	SC50-126	883099001048	BOLT M6-1.0X85, FLANGE (PT)		1	2





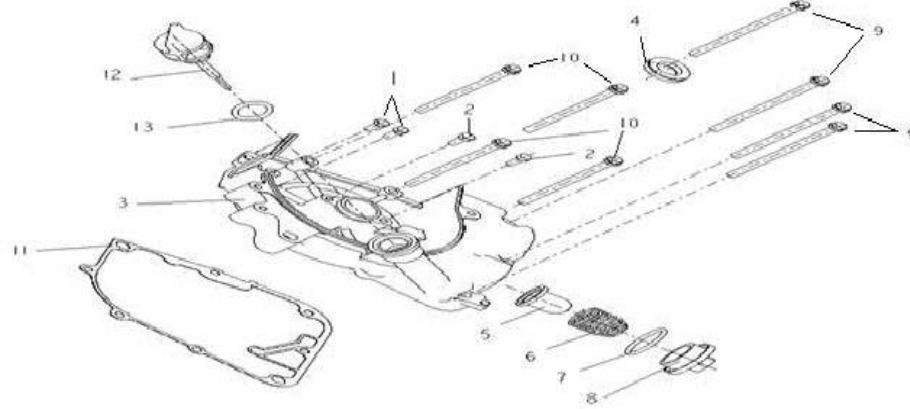
Item No.	Part No.	UPC Number	DESCRIPTION	Baja Description	Qty Shipped per order	Qty.
17	SC50-127	883099001055	ARM, OUTLET ROCKER ARM		1	1
18	SC50-128	883099001062	OIL SEAL		1	2
19	SC50-129	883099001079	UPPER SEAT, VALVE SPRING		1	2
20	SC50-130	883099001086	COTTER, VALVE		2	4
21	SC50-131	883099001093	SCREW, ADJUSTING		1	2
22	SC50-132	883099001109	ARM, VALVE ROCKET		1	2
23	SC50-133	883099001116	NUT M5-0.8X4, HEX		1	2
24	SC50-134	883099001123	ARM, INLET ROCKER ARM		1	1
25	SC50-135	883099001130	EXHAUST VALVE		1	1
26	SC50-136	883099001147	SEAL, SPRING		1	1
27	SC50-137	883099001154	SPRING, VALVE OUTER		1	2
28	SC50-138	883099001161	SPRING, VALVE INNTER		1	2
29	SC50S-137	883099001178	GASKET, CYLINDERHEAD		1	1

Item No.	Part No.	UPC Number	DESCRIPTION	Baja Description	Qty Shipped per order	Qty.
<div style="display: flex; align-items: center;"> <div style="border: 1px solid black; padding: 2px; margin-right: 10px;">LEFT CRANKCASE</div> <div style="flex-grow: 1;"> </div> </div>						
1	SC50-142	883099001215	CRANKCASE ASSY LH		1	1
2	SC50-143	883099001222	STUD BOLT M7-1.0X172		2	2
3	SC50-144	883099001239	PIN, DOWEL		2	2
4	SC50-145	883099001246	BUSH		1	1
5	SC50-146	883099001253	COLLOR		1	1
6	SC50-147	883099001260	PLUG, DRAIN		1	1
7	SC50-148	883099001277	GASKET, DRAIN PLUG		1	1
8	SC50-149	883099001284	SHAFT COLLAR		1	1
9	SC50-150	883099001291	BAFFLE		1	1
10	SC50-151	883099001307	BOLT M6-1.0X15. FLANGE (FT)		1	1
11	SC50-152	883099001314	OIL PLUG		1	1
12	SC50-153	883099001321	O-RING		1	1
13	SC50-154	883099001338	BUSH, ENGINE MOUNTING		1	1
14	SC50-155	883099001345	BOLT M8-1.25X16, FLANGE (FT)		1	1
15	SC50-156	883099001352	WASHER M8X16X2, PLATE		1	1
16	SC50-157	883099001369	COVER, GEAR BOX		1	1

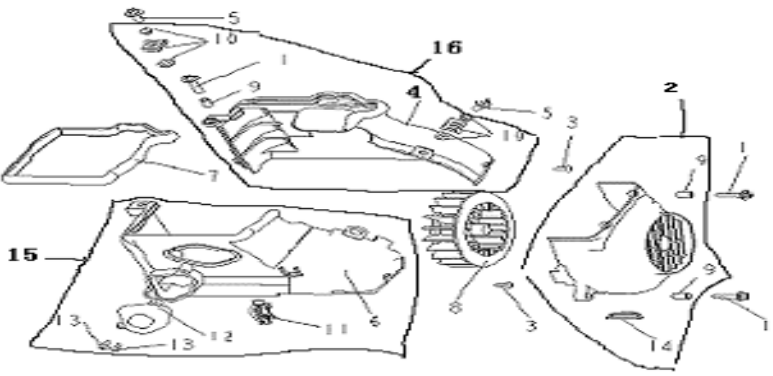

LEFT CRANKCASE						
Item No.	Part No.	UPC Number	DESCRIPTION	Baja Description	Qty Shipped per order	Qty.
17	SC50-158	883099001376	BOLT M6-1.0X25, FLANGE (FT)		3	3
18	SC50-159	883099001383	BOLT M6-1.0X30, FLANGE (PT)		2	2
19	SC50-160	883099001390	HOSE		1	1
20	SC50-161	883099001406	BREATHER PLUG		1	1
21	SC50-162	883099001413	PIVOT SHAFT, BRAKE SHOE		1	1
22	SC50-163	883099001420	DOWEL PIN		2	2
23	SC50-164	883099001437	NUT M8-1.25X8, FLANGE SPRING LOCK		1	1
24	SC50-165	883099001444	O RING		1	1
25	SC50-166	883099001451	GASKET , GEAR BOX		1	1
26	SC50-167	883099001468	OIL SEAL		1	1

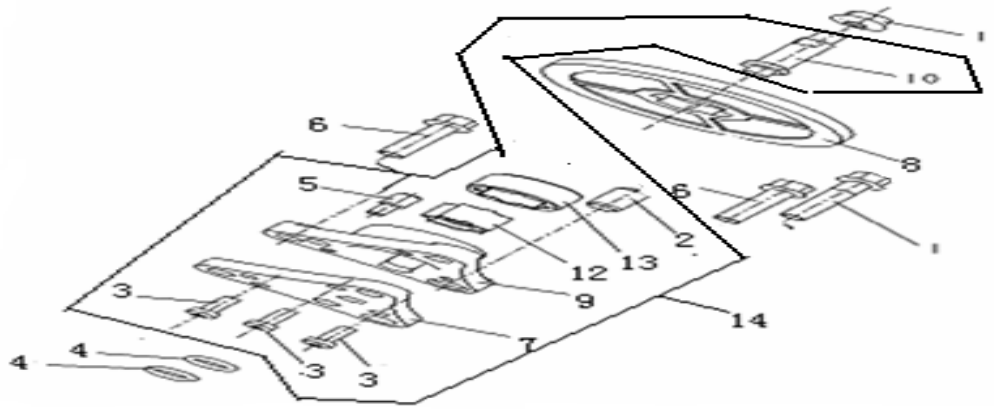

CRANKSHAFT						
Item No.	Part No.	UPC Number	DESCRIPTION	Baja Description	Qty Shipped per order	Qty.
1	SC50-177	883099001567	NUT		1	1
2	SC50-178	883099001574	COLLAR		1	1
3	SC50-179	883099001581	SPROCKET, GEAR		1	1
4	SC50-180	883099001598	BEARING		1	1
5	SC50-181	883099001604	CIRCLIP		2	2
6	SC50-182	883099001611	PIN, PISTON		1	1
7	SC50-183	883099001628	PISTON		1	1
8	SC50-184	883099001635	RING SET, OIL		1	1
9	SC50-185	883099001642	RING, 2ND		1	1
10	SC50-186	883099001659	BEARING		1	1
11	SC50-187	883099001666	PLATE, OIL RESERVE		1	1
12	SC50-188	883099001673	GEAR, OIL PUMP DRIVE		1	1
13	SC50-189	883099001680	FLANGE BOLT		1	1
14	SC50-190	883099001697	KEY		1	1
15	SC50-191	883099001703	RING, 1ST		1	1
16	SC50-192	883099001710	PISTON RING ASSY		1	1
17	SC50-193	883099001727	CRANKSHAFT ASSY		1	1

RIGHT CRANKCASE COVER



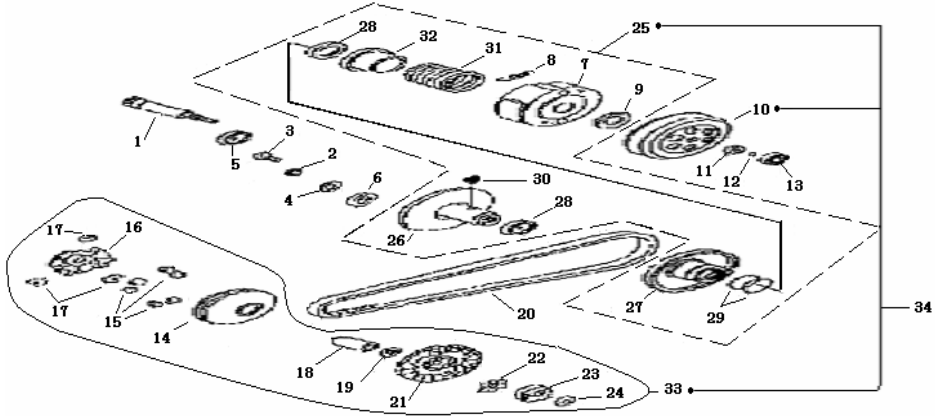
Item No.	Part No.	UPC Number	DESCRIPTION	Baja Description	Qty Shipped per order	Qty.
1	SC50-203	883099001826	BOLT M5-0.8X12, FLANGE (FT)		2	2
2	SC50-204	883099001833	BOLT M6-1.0X18, FLANGE (FT)		2	2
3	SC50-205	883099001840	MAGNETO COVER		1	1
4	SC50-206	883099001857	OIL SEAL		1	1
5	SC50-207	883099001864	STAINER OIL		1	1
6	SC50-208	883099001871	SPRING, STAINER		1	1
7	SC50-209	883099001888	O RING		1	1
8	SC50-210	883099001895	PLUG, DRAIN		1	1
9	SC50-211	883099001901	BOLT M6-1.0X100, FLANGE (PT)		2	4
10	SC50-212	883099001918	BOLT M6-1.0X85, FLANGE (PT)		2	4
11	SC50-213	883099001925	GASKET		1	1
12	SC50-214	883099001932	GUIDE, OIL LEVEL	Dipstick	1	1
13	SC50-215	883099001949	O RING18X3.5		1	1

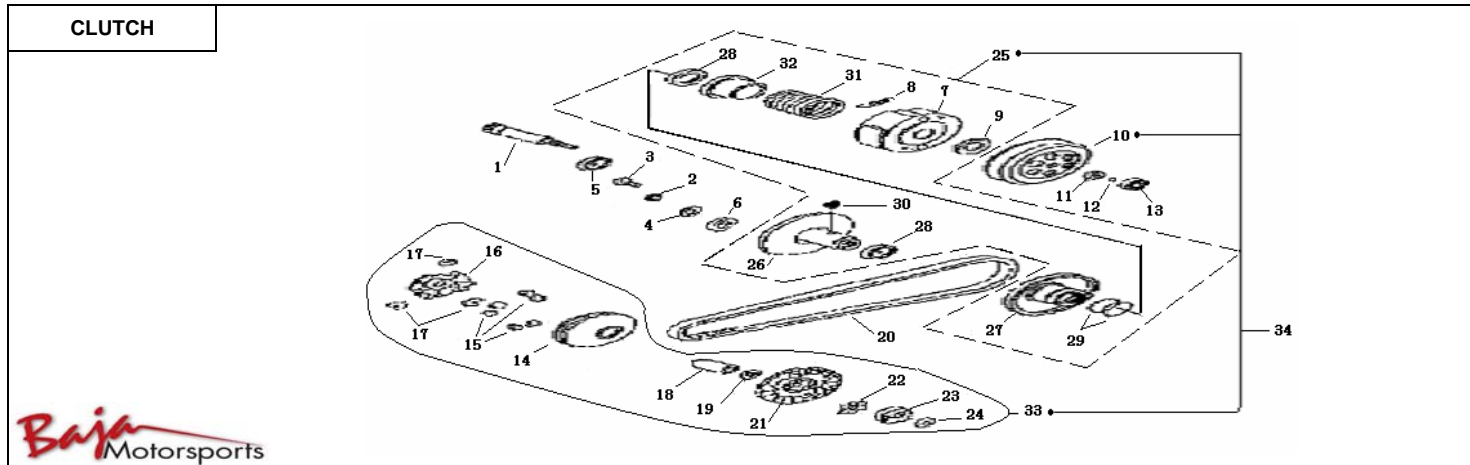
ENGINE COVERS						
						
						
Item No.	Part No.	UPC Number	DESCRIPTION	Baja Description	Qty Shipped per order	Qty.
1	SC50-216	883099001956	BOLT M6-1.0X25, FLANGE (FT)		3	3
2	SC50-217	883099001963	COVER, FAN ASSY		1	1
3	SC50-218	883099001970	SCREW M5X16, HEX		2	2
4			SHROUD, LOWER	AVAILABLE WITH SC50-232		1
5			BOLT	AVAILABLE WITH SC50-232		2
6			SHROUD, UPPER	AVAILABLE WITH SC50-231		1
7	SC50-222	883099001987	SEAL, SHROUD		1	1
8	SC50-223	883099001994	FAN		1	1
9			BUSH	AVAILABLE WITH SC50-231		1
			BUSH	AVAILABLE WITH SC50-217		2
10			NUT ASSY	AVAILABLE WITH SC50-232		2
11			CLAMPER	AVAILABLE WITH SC50-231		1
12			COVER, TENSIONER	AVAILABLE WITH SC50-231		1
13			SCREW	AVAILABLE WITH SC50-231		2
14			STOPPER	AVAILABLE WITH SC50-217		1
15	SC50-231	883099002007	SHROUD, UPPER		1	1
16	SC50-232	883099002014	SHROUD, LOWER		1	1

OIL PUMP						
						
						
Item No.	Part No.	UPC Number	DESCRIPTION	Baja Description	Qty Shipped per order	Qty.
1	SC50-234	883099002021	BOLT M6-1.0X25, FLANGE (FT)		1	1
2			PIN, DOWEL	AVAILABLE WITH SC50-247		1
3			SCREW	AVAILABLE WITH SC50-247		3
4	SC50-237	883099002038	O RING		2	2
5			PIN	AVAILABLE WITH SC50-247		1
6	SC50-239	883099002045	BOLT		2	2
7			SEAT , OIL PUMP	AVAILABLE WITH SC50-247		1
8	SC50-241	883099002052	GEAR, OIL PUMP DRIVEN		1	1
9			BODY, OIL PUMP	AVAILABLE WITH SC50-247		1
10			SHAFT, OIL PUMP	AVAILABLE WITH SC50-247		1
11	SC50-244	883099002069	NUT M6-1.0X6, FLANGE SPRING LOCK		1	1
12			ROTER, OIL PUMP INNER	AVAILABLE WITH SC50-247		1
13			ROTER, OIL PUMP OUTER	AVAILABLE WITH SC50-247		1
14	SC50-247	883099002076	OIL PUMP ASSY		1	1

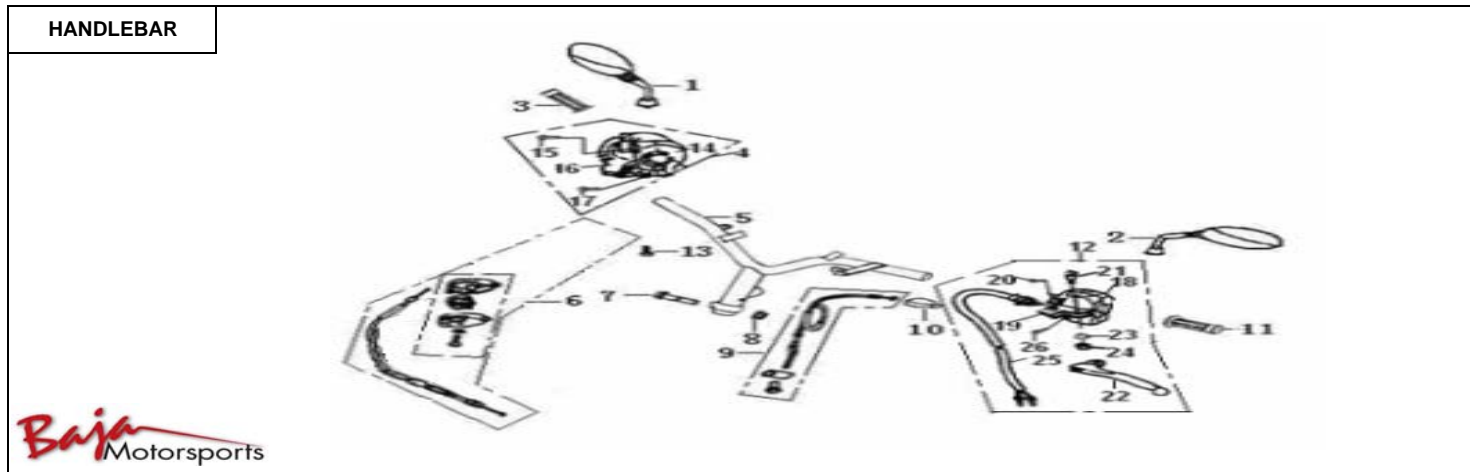
Item No.	Part No.	UPC Number	DESCRIPTION	Baja Description	Qty Shipped per order	Qty.
<div style="display: flex; justify-content: space-between; align-items: center;"> <div style="text-align: left;"> <p>KICKSTARTER RATCHET</p> </div> <div style="text-align: right;"> </div> </div>						
1			START GEAR ASSY	AVAILABLE WITH SC50-277		1
2			NEEDLE BEARING	AVAILABLE WITH SC50-277		1
3	SC50-253	883099002113	WASHER M56X76X.5, PLATE		1	1
4	SC50-254	883099002120	EXCEED CLUTCH		1	1
5	SC50-255	883099002137	*IDLE GEAR	AVAILABLE WITH SC50-637	1	1
6	SC50-256	883099002144	IDLE GEAR SHAFT		1	1
7	SC50-257	883099002151	WASHER M8X16X.5, PLATE		2	2
8	SC50-637	883099002168	STARTER GEAR , 1 ST		1	1
9			*STARTER GEAR , 2 ND	AVAILABLE WITH SC50-637	1	1
10	SC50-260	883099002182	BOLT M6-1.0X20, FLANGE (FT)		2	2
11	SC50-261	883099002199	SHAFT, KICK STARTER		1	1
12	SC50-262	883099002205	SPRING , KICK STARTER		1	1
13	SC50-263	883099002212	BEARING, KICK STARTER		1	1
14	SC50-264	883099002229	WASHER M15X28X1, PLATE		1	1
15	SC50-265	883099002236	CIRCLIP		1	1
16	SC50-266	883099002243	KICK PINION ASSY		1	1

KICKSTARTER RATCHET						
Item No.	Part No.	UPC Number	DESCRIPTION	Baja Description	Qty Shipped per order	Qty.
17	SC50-267	883099002250	CLIP		1	1
18	SC50-268	883099002267	STARTING MOTOR ASSY		1	1
19	SC50-269	883099002274	O-RING		1	1
20	SC50-270	883099002281	*NEEDLE BEARING	AVAILABLE WITH SC50-637	1	1
21			COVER	AVAILABLE WITH SC50-277		1
22			COVER	AVAILABLE WITH SC50-277		1
23			SPRING	AVAILABLE WITH SC50-277		6
24			CAP	AVAILABLE WITH SC50-277		6
25			ROLLER	AVAILABLE WITH SC50-277		6
26			SCREW	AVAILABLE WITH SC50-277		3
27	SC50-277	883099002298	STARTER CLUTCH ASSY		1	1

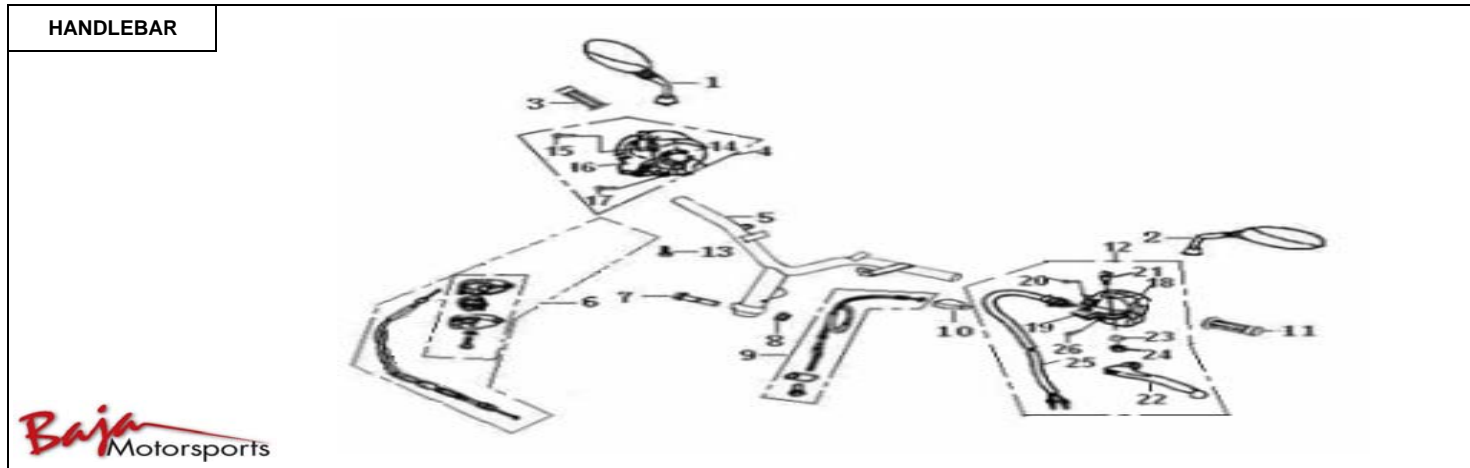
CLUTCH						
Item No.	Part No.	UPC Number	DESCRIPTION	Baja Description	Qty Shipped per order	Qty.
1	SC50-304	883099002489	PRIMARY DRIVE SHAFT		1	1
2	SC50-305	883099002496	WASHER M8X18X2, PLATE		1	1
3	SC50-306	883099002502	PAN HEAD SCREW		1	1
4	SC50-307	883099002519	CIRCLIP		1	1
5	SC50-308	883099002526	ROLLING BEARING		1	1
6	SC50-651	883099002530	OIL SEAL		1	1
7			CLUTCH ASSY, SHOE	AVAILABLE WITH SC50-328		3
8			SPRING	AVAILABLE WITH SC50-328		3
9			NUT	AVAILABLE WITH SC50-328		1
10	SC50-313	883099002540	HOUSING		1	1
11	SC50-314	883099002557	NUT M10-1.0X6, HEX		1	1
12	SC50-315	883099002564	O-RING		1	1
13	SC50-316	883099002571	BEARING		1	1
14			FACE, MOVABLE DRIVE	AVAILABLE WITH SC50-336		1
15			ROLLER	AVAILABLE WITH SC50-336		6
16			PLATE, MOVABLE DRIVE	AVAILABLE WITH SC50-336		1



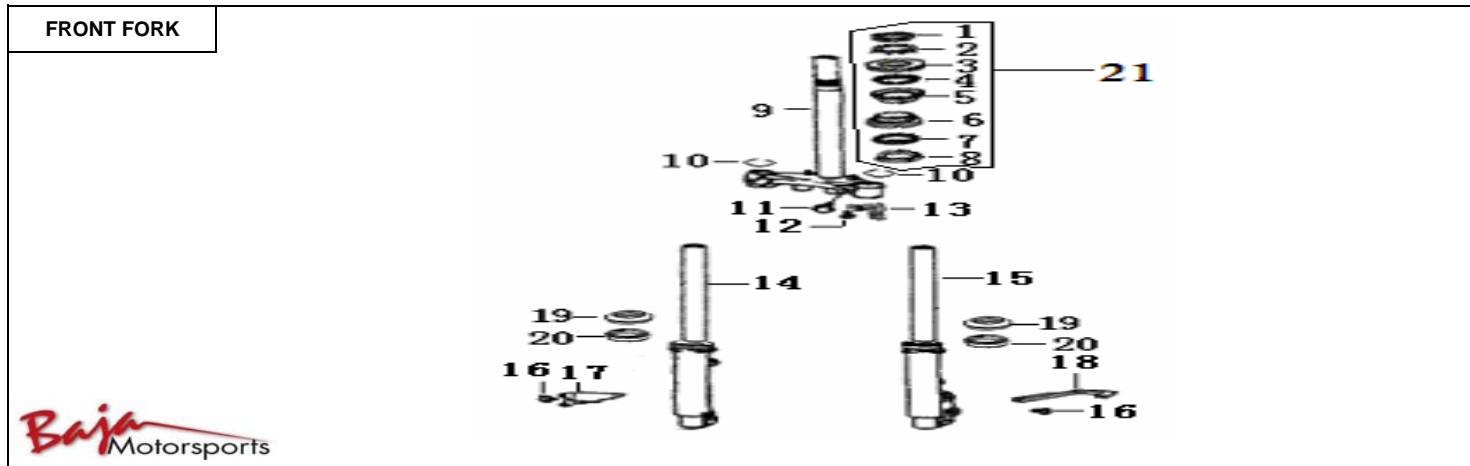
Item No.	Part No.	UPC Number	DESCRIPTION	Baja Description	Qty Shipped per order	Qty.
17			DAMPER	AVAILABLE WITH SC50-336		3
18			COLLER	AVAILABLE WITH SC50-336		1
19			WASHER	AVAILABLE WITH SC50-336		1
20	SC50-323	883099002588	V BELT , DRIVE		1	1
21			FACE , FIXED DRIVE	AVAILABLE WITH SC50-336		1
22	SC50-325	883099002595	PLATE , WOODRUFF KEY		1	1
23	SC50-326	883099002601	STARTING DISC		1	1
24	SC50-327	883099002618	WASHER M12X26X2, PLATE		1	1
25	SC50-328	883099002625	DRIVEN PULLY AND CLUTCH ASSY		1	1
26			FACE , FIXED DRIVEN	AVAILABLE WITH SC50-328		1
27			FACE , MOVABLE DRIVEN	AVAILABLE WITH SC50-328		1
28			OIL SEAL	AVAILABLE WITH SC50-328		1
29			O-RING	AVAILABLE WITH SC50-328		2
30			PIN , GUIDE	AVAILABLE WITH SC50-328		2
31			SPRING	AVAILABLE WITH SC50-328		1
32			SEAT , SPRING	AVAILABLE WITH SC50-328		1



Item No.	Part No.	UPC Number	DESCRIPTION	Baja Description	Qty Shipped per order	Qty.
1			MIRROR, RIGHT, REVERSE THREAD	AVAILABLE WITH SC50S-566		1
2			MIRROR, LEFT	AVAILABLE WITH SC50S-566		1
1,2	SC50S-566	883099135101	REAR VIEW MIRROR ASSY.	RIGHT AND LEFT MIRROR ASSEMBLY	1 SET	2
3	SC50-493	842645032103	GRIP ASSY, THROTTLE		1	1
4	SC50-517	842645032080	RIGHT HANDLE SWITCH, RH. ASSY.		1	1
5	SC50-340	883099002670	JOINTING ASSY, HANDLE BAR		1	1
6	SC50-481	842645032097	CABLE ASSY, THROTTLE (NEW)		1	1
7	SC50-341	883099002687	BOLT M10-1.25X45, FLANGE (PT)		1	1
8	SC50-342	883099002694	NUT10X1.25MM		1	1
9	SC50-476	842645035487	CABLE ASMY , REAR. BRAKE		1	1
10	SC50-343	883099002700	PROTECTOR, REAR. BRAKE CABLE		1	1
11	SC50-492	842645035524	GRIP, LH.		1	1
12	SC50-515	842645032073	LEFT HANDLE SWITCH , 1 ASSY.		1	1
13	SC50-344	883099002717	SCREW 5X10MM		1	1
14			RIGHT HANDLE SWITCH, RH.	AVAILABLE WITH SC50-517		1
15			PAN HEAD SCREW 5X25MM	AVAILABLE WITH SC50-517		1
16			SWITCH FIXING R.	AVAILABLE WITH SC50-517		1

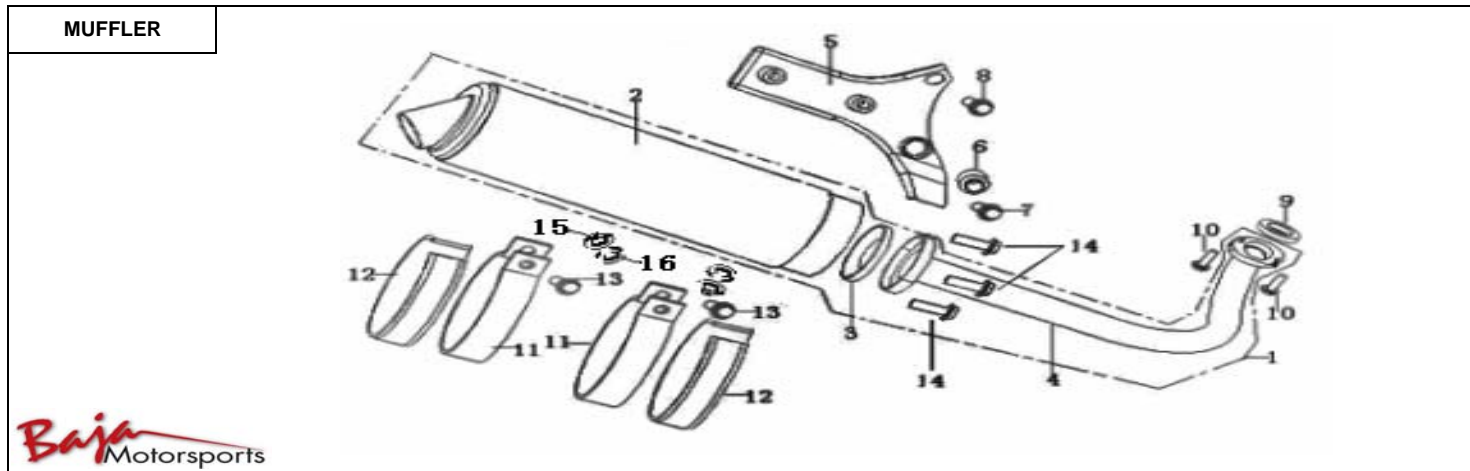


Item No.	Part No.	UPC Number	DESCRIPTION	Baja Description	Qty Shipped per order	Qty.
17			PAN HEAD SCREW 5X20MM	AVAILABLE WITH SC50-517		1
18			LEFT HANDLE SWITCH	AVAILABLE WITH SC50-515		1
19			L. SWITCH FIXING SEAT	AVAILABLE WITH SC50-515		1
20			PAN HEAD SCREW 5X25	AVAILABLE WITH SC50-515		1
21			SCREW 5MM	AVAILABLE WITH SC50-515		1
22	SC50-475	842645030598	LEFT LEVER		1	1
23			WASHER SPRING 5	AVAILABLE WITH SC50-515		1
24			NUT 5MM	AVAILABLE WITH SC50-515		1
25			STOP SWITCH ASSY.	AVAILABLE WITH SC50-515		1
26			PAN HEAD SCREW 5X20MM	AVAILABLE WITH SC50-515		1

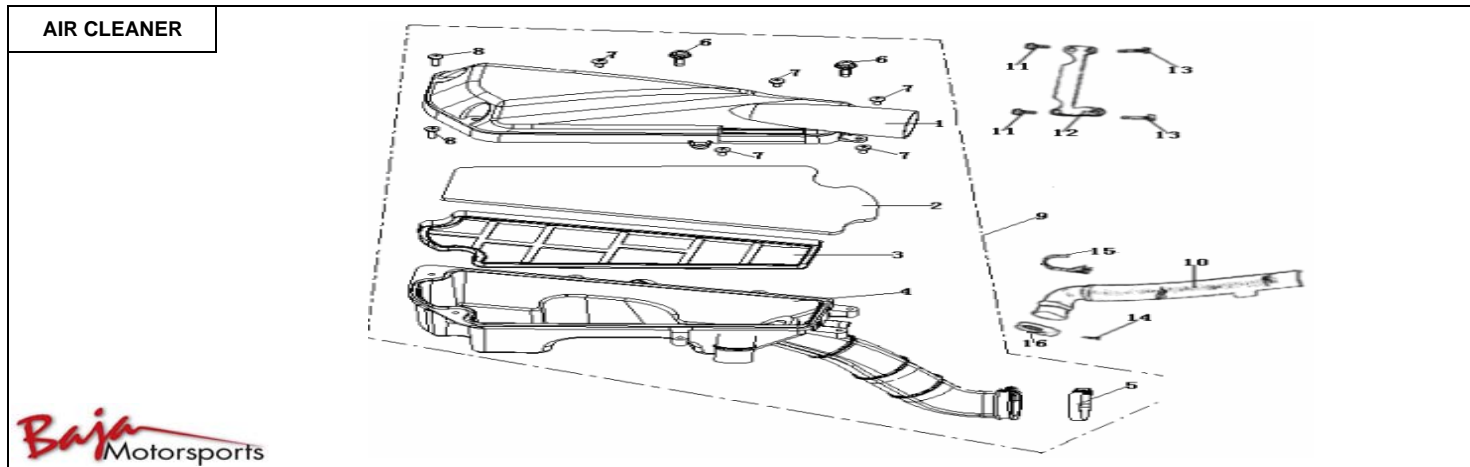


Item No.	Part No.	UPC Number	DESCRIPTION	Baja Description	Qty Shipped per order	Qty.
1	SC50-357	883099002724	*PRESS NUT	AVAILABLE WITH SC50-324	1	1
2	SC50-358	883099002731	*WASHER	AVAILABLE WITH SC50-324	1	1
3	SC50-359	883099002748	*UPPER STEEL BOWL, UPPER BEARING	AVAILABLE WITH SC50-324	1	1
4	SC50-360	883099002755	*STEEL BALL SET OF 25	AVAILABLE WITH SC50-324	1	1
5	SC50-361	883099002762	*LOWER STEEL BOWL, UPPER BEARING	AVAILABLE WITH SC50-324	1	1
6	SC50-362	883099002779	*UPPER STEEL BOWL, LOWER BEARING	AVAILABLE WITH SC50-324	1	1
7	SC50-363	883099002786	*STEEL BALL SET OF 21	AVAILABLE WITH SC50-324	1	1
8	SC50-364	883099002793	*LOWER STEEL BOWL, LOWER BEARING	AVAILABLE WITH SC50-324	1	1
9	SC50-365	883099002809	UNDER BRACKET COMP		1	1
10	SC50-366	883099002816	CLIP		2	2
11	SC50-367	883099002823	BOLT M10-1.25X30, FLANGE (FT)		2	2
12	SC50-368	883099002830	FLANGE BOLT 6X12MM		1	1
13	SC50-369	883099002847	HOLDER, BRAKE HOSE 2		1	1
14	SC50-370	883099002854	R.H. FR. FORK ASSY.		1	1
15	SC50-371	883099002861	L.H. FR. FORK ASSY.		1	1
16	SC50-372	883099002878	BOLT M6-1.0X16, FLANGE (FT)		2	2

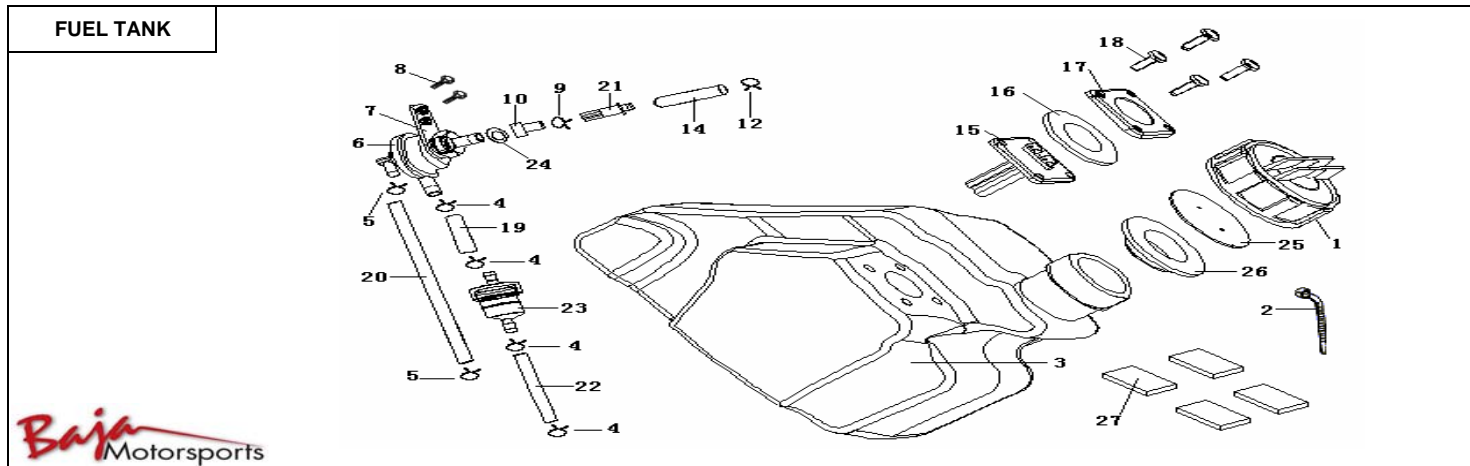
FRONT BRAKE						
Item No.	Part No.	UPC Number	DESCRIPTION	Baja Description	Qty Shipped per order	Qty.
2	SC50-391	883099003066	*DISC BRAKE LEVER	AVAILABLE WITH SC50-446	1	1
3	SC50-392	883099003073	LEVER MOUNTING SCREW 6MM	AVAILABLE WITH SC50-446	1	1
4	SC50-393	883099003080	NUT M6-1.0X3, HEX	AVAILABLE WITH SC50-446	1	1
5	SC50-446	842645002748	CYLINDER COMP.(BLACK)		1	1
6	SC50-394	883099003097	MASTER CYLINDER BRACKET	AVAILABLE WITH SC50-446	1	1
7	SC50-395	883099003103	BOLT 6X23MM	AVAILABLE WITH SC50-446	1	1
8	SC50-396	883099003110	BRAKE HOSE ASSY.		1	1
9	SC50-397	883099003127	CALIPER ASSY. (BLACK)		1	1
10	SC50-398	883099003134	BOLT M8-1.25X32, FLANGE (PT)		2	2
11	SC50-399	883099003141	BOLT M8-1.25X15, ALLEN (FT/S)		3	3
12	SC50-400	883099003158	BRAKE DISC		1	1
13	SC50-401	883099003165	BRAKE PAD KIT MARK? WTC JB	BRAKE PAD KIT	2	2
14	SC50-402	883099003172	WASHER M10X16X1.50, COPPER PLATE		2	2
15	SC50-403	883099003189	STOP SWITCH ASSY.		1	1
16	SC50-404	883099003196	A.B.S (BLACK)		1	1
17	SC50-405	883099003202	WASHER M6X15X1, PLATE		2	2



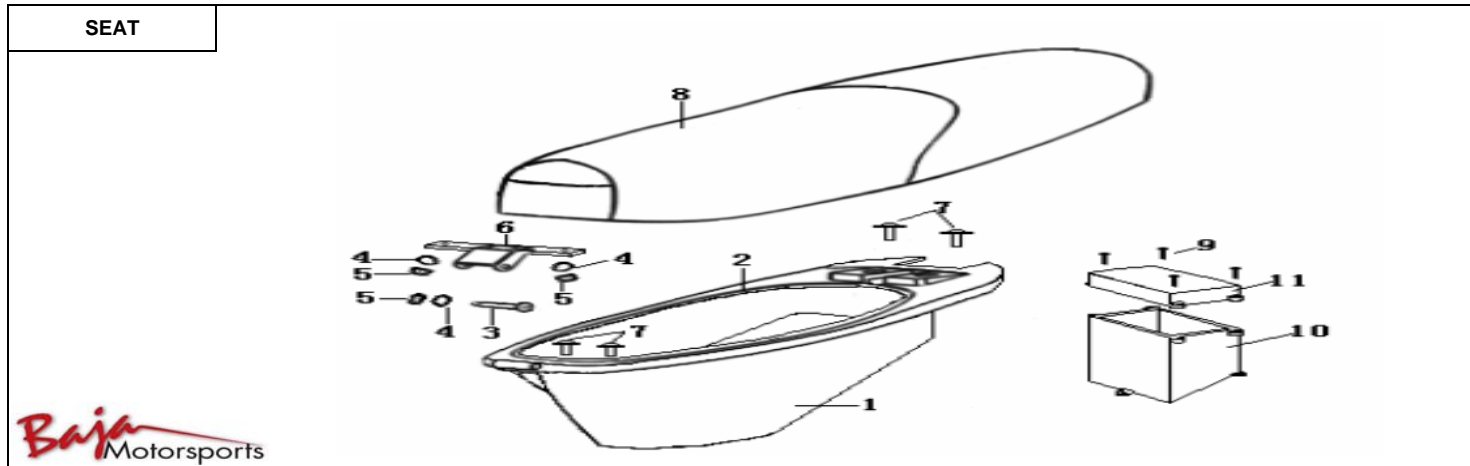
Item No.	Part No.	UPC Number	DESCRIPTION	Baja Description	Qty Shipped per order	Qty.
1	SC50-408	883099003233	MUFFLER ASSY. (WITHOUT CATALYST)		1	1
2	SC50-409	883099003240	MUFFLER CANISTER ASSY.(WITHOUT CATALYST)		1	1
3	SC50-410	883099003257	SEAL WASHER		1	1
4	SC50-411	883099003264	EXHAUST PIPE ASSY.		1	1
5	SC50-412	883099003271	MUFFLER FIXING PLATE		1	1
6	SC50-413	883099003288	MUFFLER BUSH		1	1
7	SC50-414	883099003295	BOLT M8-1.25X30, FLANGE (PT)		1	1
8	SC50-415	883099003301	BOLT M8-1.25X20, FLANGE (FT)		1	1
9	SC50-416	883099003318	GASKET, EXHAUST PIPE		1	1
10	SC50-417	883099003325	NUT M6-1.0X35, CAP		2	2
11	SC50-418	883099003332	MUFFLER HOOP		2	2
12	SC50-419	883099003349	ADIABATIC RUBBER		2	2
13	SC50-420	883099003356	BOLT M8-1.25X40, FLANGE (PT)		2	2
14	SC50-421	883099003363	BOLT M8-1.25X20, FLANGE (FT)		3	3
15	SC50-112	883099004483	WASHER 8MM		2	2
16	SC50-113	883099005107	WASHER 8MM		2	2



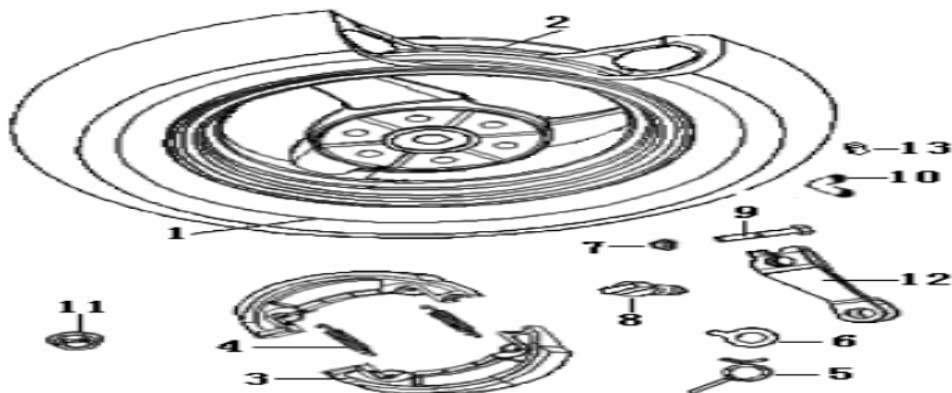

Item No.	Part No.	UPC Number	DESCRIPTION	Baja Description	Qty Shipped per order	Qty.
1	SC50-105	883099148170	AIR CLEANER UPPER COVER		1	1
2	SC50-649	883099044434	FILTER		1	1
3	SC50-652	883099044441	BEARING BOARD	O-RING AIR CLEANER	1	1
4	SC50-114	883099005121	CAP , AIR CLEANER		1	1
5	SC50-423	883099003387	CLIP		1	1
6	SC50-424	883099003394	BOLT M6X25		2	2
7	SC50-425	883099003400	SCREW M5X15, ROUND		5	5
8	SC50-426	883099003417	WASHER M6X18X2, PLATE		2	2
9	SC50-381	842645035517	AIR CLEANER ASSY.		1	1
10	SC50-427	883099003424	PIPE, AIR IN		1	1
11	SC50-122	883099148187	BOLT M6-1.0X12, FLANGE (FT)		2	2
12	SC50-422	883099003370	AIR CLEANER PLATE		1	1
13	SC50-100	883099148149	BOLT M6-1.0X20, FLANGE (FT)		2	2
14	SC50-101	883099069208	SCREW 5X20MM		1	1
15	SC50-102	883099148156	NIP		1	1
16	SC50-103	883099148163	CLAMP ASSY. I		1	1

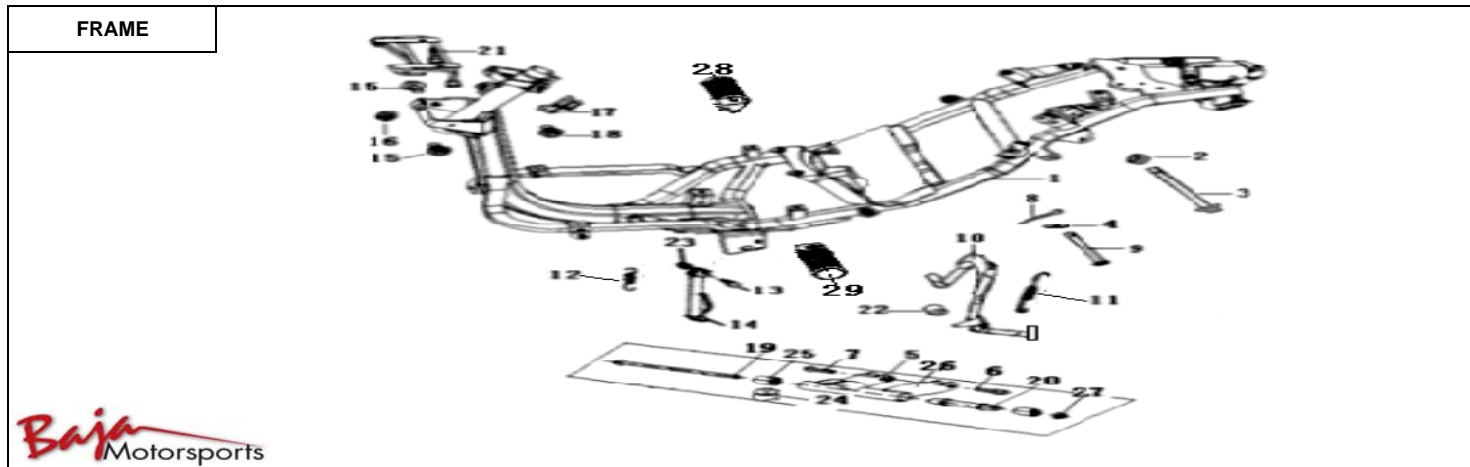


Item No.	Part No.	UPC Number	DESCRIPTION	Baja Description	Qty Shipped per order	Qty.
1	SC50-428	883099003431	LIP FUEL TANK		1	1
2	SC50-429	883099003448	TIE ASSY. FUEL TANK		1	1
3	SC50-430	883099003455	BODY, FUEL TANK		1	1
4	SC50-431	883099003462	CLIPΦ8		2	4
5	SC50-432	883099003479	CLIPΦ7		2	2
6	SC50-433	883099003486	SWITCH ASSY		1	1
7	SC50-434	883099003493	PLATE FUEL COCK		1	1
8	SC50-435	883099003509	BOLT M5-0.8X10, ROUND (FT)		2	2
9	SC50-436	883099003516	CLIPΦ16		1	1
10	SC50-437	883099003523	COUPLER FUEL COCK		2	4
12	SC50-438	883099003530	CLIPΦ11		1	1
14	SC50-439	883099003547	FILTER CASE		1	1
15	SC50-440	883099003554	SENSOR ASSY.		1	1
16	SC50-441	883099003561	GLUE MAT		1	1
17	SC50-442	883099003578	SENSOR BOARD		1	1
18	SC50-443	883099003585	BOLT W/WASHER M6-1.0X15, HEX (FT)		4	4

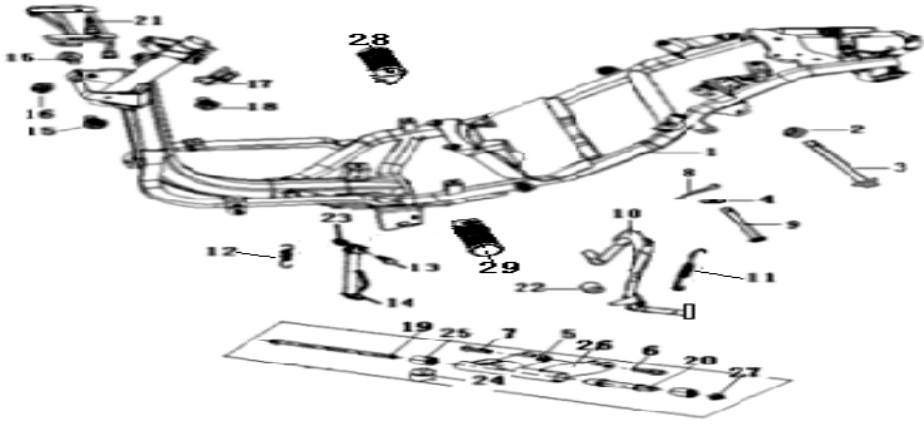


Item No.	Part No.	UPC Number	DESCRIPTION	Baja Description	Qty Shipped per order	Qty.
1	SC50-453	883099003684	HELMET BOX		1	1
2	SC50-454	883099003691	AIRPROOF.BAR		1	1
3	SC50-455	883099003707	BOLT M6-1.0X65, HEX (PT/S)		1	1
4	SC50-456	883099003714	WASHER M8X12X2, SPRING		3	3
5	SC50-457	883099003721	NUT M6-1.0X4, HEX		3	3
6	SC50-458	883099003738	MOUNTING PANEL, SEAT		1	1
7	SC50-459	883099003745	BOLT W/WASHER M6-1.0X16, ROUND (FT)		2	4
8	SC50-460	883099003752	SEAT ASSY.		1	1
9	SC50-461	883099003769	SCREW M3X15 ROUND		2	4
10	SC50-462	883099003776	CASE.BATTERY		1	1
11	SC50-463	883099003783	CAP BATTERY		1	1

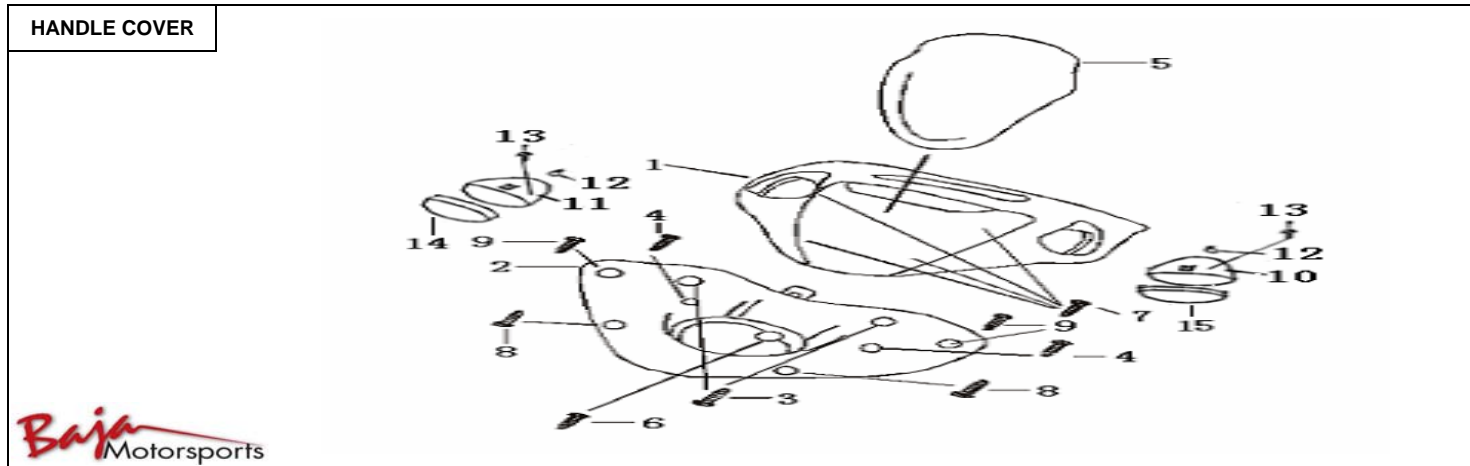
REAR WHEEL						
						
						
Item No.	Part No.	UPC Number	DESCRIPTION	Baja Description	Qty Shipped per order	Qty.
1	SC50-553	842645027086	TIRE 3.5-10		1	1
2	SC50-468	883099003837	RIM ASSY., REAR WHEEL		1	1
3	SC50-469	883099003844	SHOE ASSY, REAR BRAKE PJ ST5G3-00		2	2
4	SC50-470	883099003851	SPRING, BRAKE SHOE		2	2
5	SC50-471	883099003868	RETURN SPRING		1	1
6	SC50-472	883099003875	REAR INDICATOR		1	1
7	SC50-473	883099003882	NUT M6-1.0.X7, FLANGE SELF LOCK		1	1
8	SC50-474	883099003899	CAMSHAFT, REAR BRAKE		1	1
9	SC50-644	883099003905	BOLT M6-1.0X30, HEX (FT)		1	1
10	SC50-641	883099003912	VALVE		1	1
11	SC50-477	883099003929	NUT M16-1.5X16, FLANGE CASTLE		1	1
12	SC50-478	883099003936	ROCKER, REAR BREAK		1	1
13	SC50-479	883099003943	CAP, VALVE		1	1



Item No.	Part No.	UPC Number	DESCRIPTION	Baja Description	Qty Shipped per order	Qty.
1	SC50-480	883099003950	FRAME		1	1
2	SC50-640	883099003967	NUT M10-1.25X10 FLANGE SELF LOCK		1	1
3	SC50-482	883099003974	AXLE , SUPPORT		1	1
4	SC50-483	883099003981	WASHER M8X24X2, PLATE		1	1
5	SC50-486	883099004018	E/G BRKT ASSY.		1	1
6	SC50-498	883099004193	E/G MOUNTING BOLT		1	1
7	SC50-499	883099004131	BOLT M10-1.25X45, FLANGE (PT)		1	1
8	SC50-487	883099004025	COTTER PIN		1	1
9	SC50-488	883099004032	SHAFT, MAIN STAND		1	1
10	SC50-489	883099004049	MAIN STAND ASSY.		1	1
11	SC50-490	883099004056	SPRING , MAIN STAND		1	1
12	SC50-491	883099004063	TENSION SPRING, 2		1	1
13	SC50-642	883099004070	BOLT		1	1
14	SC50-638	883099004087	JOINTING ASSY, SINGLE STAND		1	1
15	SC50-494	883099004094	BOLT 6X16MM		2	2
16	SC50-495	883099004100	NUT M6-1.0X6, FLANGE SPRING LOCK		1	1

FRAME						
Item No.	Part No.	UPC Number	DESCRIPTION	Baja Description	Qty Shipped per order	Qty.
17	SC50-496	883099004117	POT HOOK, HELMET		1	1
18	SC50-497	883099004124	BOLT M6-1.0X20, FLANGE (FT)		1	1
19	SC50-503	883099004179	SHAFT , ENGINE BRACKET		1	1
20	SC50-504	883099004186	BUSH ASSY	CENTER SHAFT ENGINE SUPPORT	1	1
21	SC50-500	883099004148	BRACKET ASSY, FRAME FRONT		1	1
22	SC50-501	883099004155	RUBBER , MAIN STAND		1	1
23	NUT M8-1.25X8	883099004162	NUT M8-1.25X8, FLANGE SPRING LOCK		1	1
24	SC50-219	883099069222	BUFFER MASS		1	1
25	SC50-220	883099148194	BUFFER , ENGINE BRACKET		1	2
26	SC50-221	883099148200	E/G BRKT JOINING. COMP.		1	1
27	DN150-165	883099148217	U NUT 10X1.25MM		1	1
28	SC50-484	883099003998	FOOTCAST, BACK, LEFT (ALUMINIUM)		1	1
29	SC50-485	883099004001	FOOTCAST, BACK, RIGHT (ALUMINIUM)		1	1

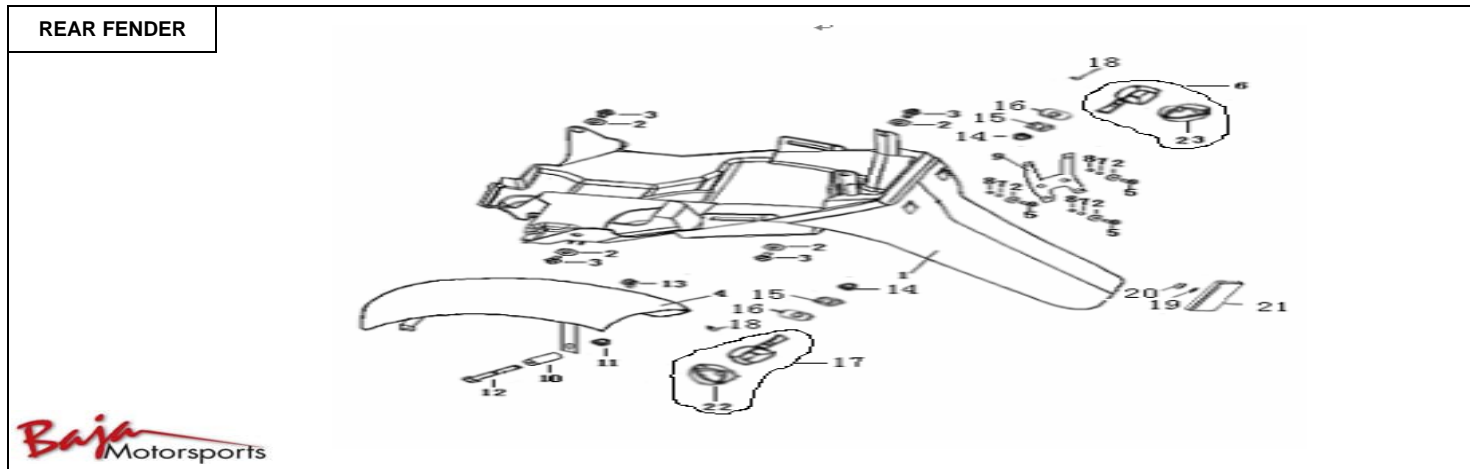




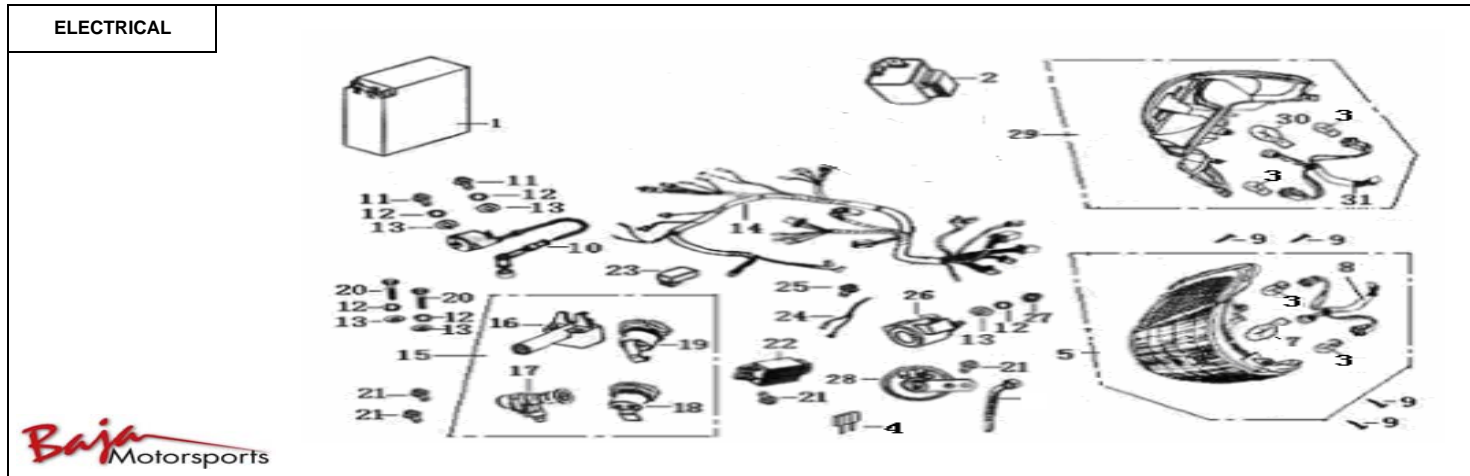
Item No.	Part No.	UPC Number	DESCRIPTION	Baja Description	Qty Shipped per order	Qty.
1	SC50-521	883099004315	HANDLE COVER, UP (RED)		1	1
1	SC50-510	883099069475	HANDLE COVER, UP (PINK)		1	1
2	SC50-522	883099004322	HANDLE COVER, DOWN		1	1
3	SC50-523	883099004339	SCREW M5X15, ROUND		2	2
4	SC50-524	883099004346	SCREW M4X16, ROUND		2	2
5	SC50-525	883099004353	METER VISION ASSY.		1	1
6	SC50-526	883099004360	BOLT M5-0.8X14, ROUND (FT)		1	1
7	SC50-527	883099004377	TAPPING SCREW, 3X10MM		2	4
8	SC50-528	883099004384	SCREW M5X12, ROUND		2	2
9	SC50-529	883099004391	SCREW M4X12, ROUND		2	2
10	SC50-530	883099004407	FLASHER LIGHT ASSY, 1 :E3 50R-00 1024		1	1
11	SC50-531	883099004414	FLASHER LIGHT ASSY, 2 :E3 50R-00 1024		1	1
12	SC125-423	842645027567	BULB, 12V/10W	TURN SIGNAL BULB (AMBER COLORED)	1	2
13	SC50-532	883099004421	BOLT M5-0.8X12, ROUND (FT)		2	2
14	SC50-533	883099004438	LIGHT COVER, RH.		1	1
15	SC50-534	883099004445	LIGHT COVER, LH.		1	1

LEG COVERS						
Item No.	Part No.	UPC Number	DESCRIPTION	Baja Description	Qty Shipped per order	Qty.
1	SC50-547	883099004575	COVER LOWER II		1	1
2	SC50-548	883099004582	FOOT PLATE		1	1
3	SC50-549	883099004599	CAP FOOTPLATE		1	1
4	SC50-550	883099004605	BOLT W/WASHER M6-1.0X16, ROUND (FT)		2	2
5	SC50-551	883099004612	SCREW M4X15, ROUND		4	8
6	SC50-552	883099004629	SCREW M4X12, ROUND		3	6
7	SC50-647	883099004636	BOLT M6-1.0X12, FLANGE (FT)		2	2
8	SC50-554	883099004643	COVER LOWER I		1	1
9	SC50-555	883099004650	WASHER M5X15X1, PLATE		1	1
10	SC50-556	883099004667	BOLT M5-0.8X20, ROUND (FT)		1	1
11	SC50-557	883099004674	COVER, FRONT LUGGAGE BOX		1	1
12	SC50-558	883099004681	COVER, REAR		1	1
13	SC50-559	883099004698	BOLT M6-1.0X16, FLANGE (FT)		3	3
14	SC50-560	883099004704	INSPECT COVER		1	1

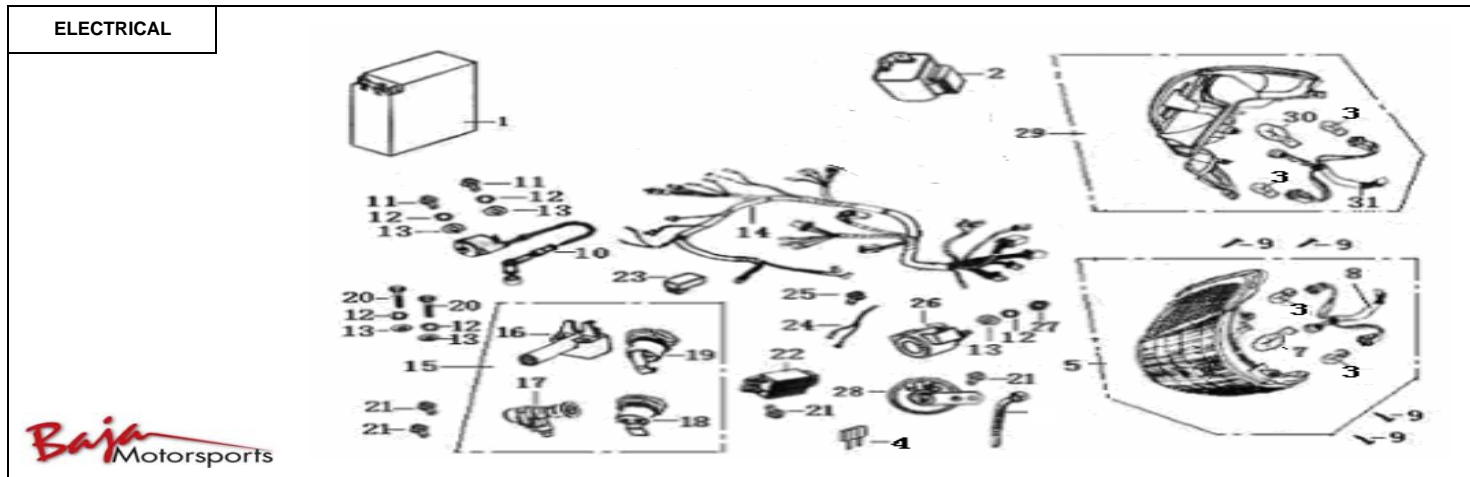
FRAME COVER						
Item No.	Part No.	UPC Number	DESCRIPTION	Baja Description	Qty Shipped per order	Qty.
1	SC50-561	883099004711	COVER FRONT RH		1	1
2	SC50-562	883099004728	COVER FRONT LH		1	1
3	SC50-563	883099004735	COVER REAR LH (RED)		1	1
3	SC50-508	883099069451	COVER REAR LH (PINK)		1	1
4	SC50-564	883099004742	COVER REAR RH (RED)		1	1
4	SC50-509	883099069468	COVER REAR RH (PINK)		1	1
5	SC50-565	883099004759	COUPLING BOARD		1	1
6	SC50-566	883099004766	SCREW M4X12, ROUND		2	4
7	SC50-567	883099004773	BOARD, FUEL TANK FIXING		1	1
8	SC50-568	883099004780	SCREW M4X10, ROUND		2	4
9	SC50-569	883099004797	SCREW M4X12, ROUND		2	2
10	SC50-570	883099004803	CARD		3	6
11	SC50-571	883099004810	HANDLE, LH		1	1
12	SC50-572	883099004827	SCREW M4X16, ROUND		2	2
13	SC50-573	883099004834	BUSH, HANDLE		2	2
14	SC50-574	883099004841	WASHER M5X10X1, PLATE		2	2



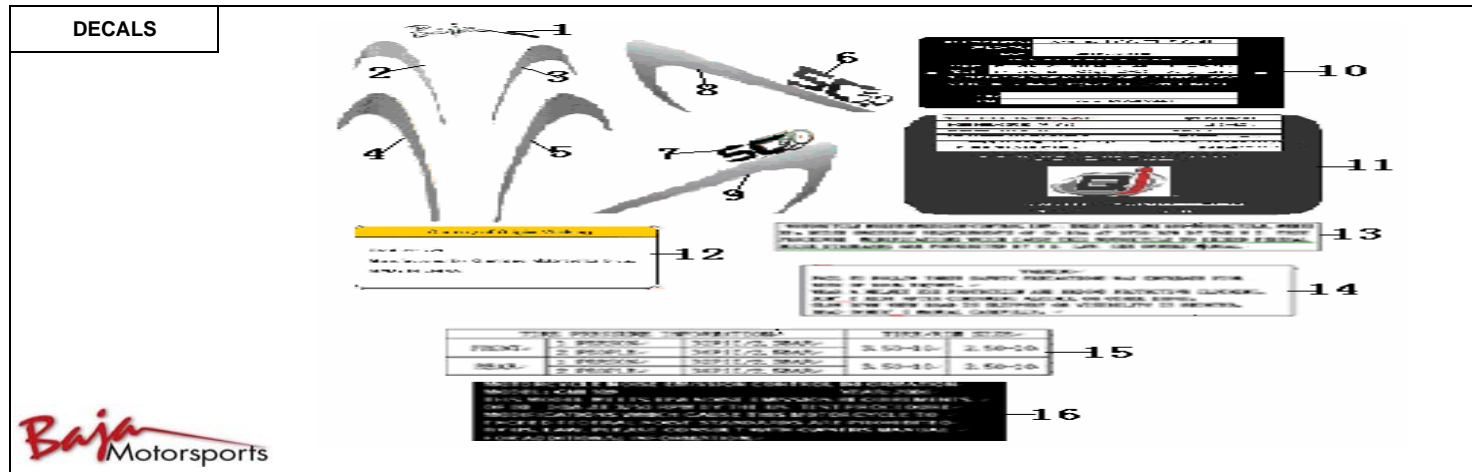
Item No.	Part No.	UPC Number	DESCRIPTION	Baja Description	Qty Shipped per order	Qty.
1	SC50-577	883099004872	FENDER, REAR		1	1
2	SC50-578	883099004889	WASHER M6X18X1, PLATE		2	4
3	SC50-579	883099004896	BOLT M6-1.0X15, HEX (FT)		2	4
4	SC50-580	883099004902	TAIL , REAR FENDER		1	1
6	SC50-585	883099004957	TURN LIGHT, F.R. E: E3 50R-00 1024		1	1
7	SC50-630	883099148224	WASHER M6X10X2, SPRING		3	3
8	SC50-631	883099148231	NUT M6-1.0X5, HEX		3	3
9	SC50-632	883099148248	BRACKET, LICENSE PLATE		1	1
10	SC50-633	883099148255	FIT BUSH, FENDER		1	1
11	SC50-582	883099004926	FIT NUT ASSY, FENDER		1	1
12	SC50-584	883099004940	BOLT M6-1.0X12, FLANGE (FT)		1	1
13	SC50-581	883099004919	BOLT M6-1.0X12, FLANGE (FT)		1	1
14	SC50-586	883099004964	NUT M10-1.25X5, HEX		2	2
15	SC50-587	883099004971	RUBBER CUSHION, OUTSIDE FENDER, REAR TURN LIGHTS		2	2
16	SC50-588	883099004988	PLASTIC CUSHION, INSIDE FENDER, REAR TURN LIGHTS		2	2
17	SC50-589	883099004995	TURN LIGHT, LEFT & RIGHT, MARK: E3 50R-00 1024	FRONT AND REAR TURN SIGNAL	1	1



Item No.	Part No.	UPC Number	DESCRIPTION	Baja Description	Qty Shipped per order	Qty.
1	40-01-9002	842645058844	BATTERY (YTX4L-BS-FP)		1	1
2	SC50-599	883099005091	FLASHER		1	1
3	SC50-294	842645035463	INDICATOR BULB 12V/3W		1	4
4	SC50-626	883099005305	FUSE 8A / 250V GLASS TUBE	8A / 250V GLASS TUBE	1	1
5	SC50-624	883099005299	HEADLIGHT COMP.		1	1
6	SC50-627	883099005312	BAND 8X200		2	4
7	SC50S-567	883099145162	BULB, HEADLIGHT		1	1
8			WIRING ASSY.HEAD LIGHT	AVAILABLE WITH SC50-624		1
9	SC50-603	883099005138	SCREW M5X12, ROUND		2	4
10	SC50-604	883099005145	COIL ASSY, IGNITION		1	1
11	SC50-605	883099005152	BOLT M6-1.0X20, ROUND (FT)		2	2
12	SC50-606	883099005169	WASHER M6X10X2, SPRING		3	5
13	SC50-607	883099005176	WASHER M612X2, PLATE		3	5
14	SC50-608	883099005183	HARNESS, WIRING		1	1
15	SC50-507	883099004223	LOCK COMP.	LOCK COMP (INCLUDES IGNITION SWITCH)	1	1



Item No.	Part No.	UPC Number	DESCRIPTION	Baja Description	Qty Shipped per order	Qty.
16			SEAT LOCK	AVAILABLE WITH SC50- 507		1
17			LOCK ASSY. STEERING	AVAILABLE WITH SC50- 507		1
18			LOCK FUEL TANK	AVAILABLE WITH SC50- 507		1
19			LOCK, FRONT LUGGAGE BOX	AVAILABLE WITH SC50- 507		1
20	SC50-613	883099005190	BOLT M6-1.0X40, ROUND (FT)		2	2
21	SC50-614	883099005206	BOLT M6-1.0X16, FLANGE (FT)		2	4
22	SC50-615	883099005213	RECTIFIER		1	1
23	SC50-616	883099005220	C.D.I. UNIT COMP.	CDI UNIT	1	1
24	SC50-617	883099005237	WIRE, EARTH		1	1
25	SC50-618	883099005244	BOLT W/WASHER M6-1.0X12, HEX (PT)		1	1
26	SC50-619	883099005251	RELAY ASSY, STARTER		1	1
27	SC50-620	883099005268	NUT M6-1.0X5, HEX		1	1
28	SC50-621	883099005275	HORN ASSY.		1	1
29	SC50-622	883099005282	TAIL LIGHT ASSY RR: E3 50R-00 1025		1	1
30	SC50-293	842645035494	TAIL LIGHT BULB 12V/21W/5W		1	1
31			WIRING ASSY. TAIL LIGHT	AVAILABLE WITH SC50-622		1



Item No.	Part No.	UPC Number	DESCRIPTION	Baja Description	Qty Shipped per order	Qty.
1	SC50-635	883099148262	STICKER, METER VISION		1	1
2	SC50-636	883099148279	STICKER 1 , METER VISION		1	1
3	SC50-660	883099148286	STICKER 2 , METER VISION		1	1
4	SC50-661	883099148293	FACEPLATE RIGHT SIDE COVER		1	1
5	SC50-662	883099148309	FACEPLATE LEFT SIDE COVER		1	1
6	SC50-663	883099148316	STICKER 1 , LEFT SIDE COVER		1	1
7	SC50-664	883099148323	STICKER 1 , RIGHT SIDE COVER		1	1
8	SC50-665	883099148330	STICKER 2 , LEFT SIDE COVER		1	1
9	SC50-666	883099148347	STICKER 1 , RIGHT SIDE COVER		1	1
10	SC50-667	883099148354	FRAME NAMEPLATE		1	1
11	SC50-668	883099148361	ATTESTATION CERTIFICATE PASTER		1	1
12	SC50-669	883099148378	CUSHION STICKER		1	1
13	SC50-670	883099148385	NOISE CONTROL (DOT) 1		1	1
14	SC50-671	883099148392	WARNING STICKER(DOT)		1	1
15	SC50-672	883099148408	TIRE RESSURE (DOT)		1	1
16	SC50-673	883099148415	NOISE CONTROL (DOT) 2		1	1

