



Product Information

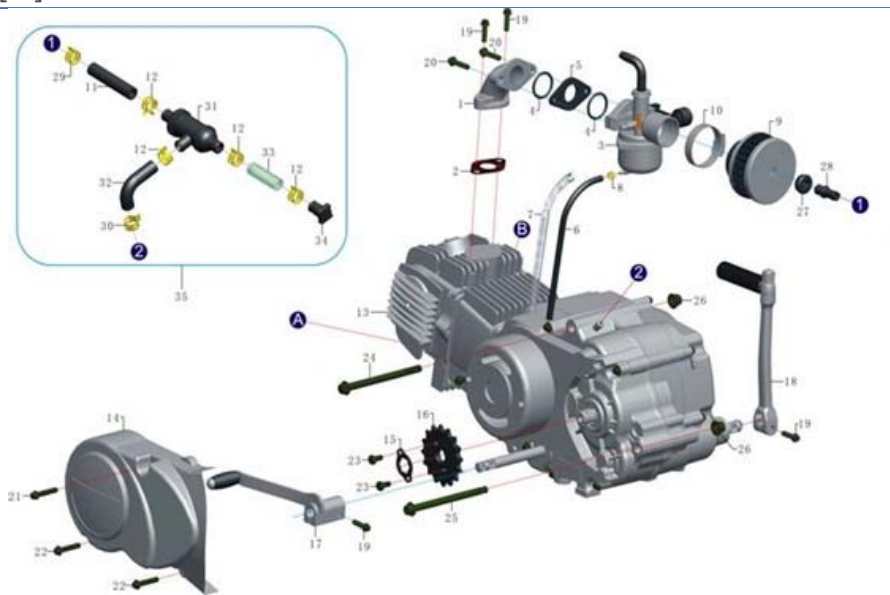
[Baja Web](#) > [Product Information](#) > [Parts Lists](#) > [DIRTBIKE](#) > DR90-XR Xmoto 90cc Dirt Bike (VIN PREFIX L98B)

 DR90-XR Xmoto 90cc Dirt Bike (VIN PREFIX L98B)

Image Web Part [28]



Image Web Part [27]



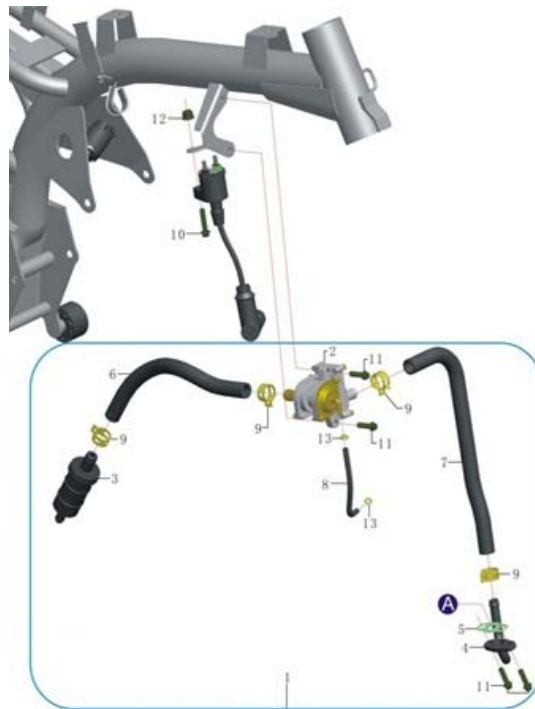
ENGINE

Item No	Part Number	Description	Qty
---------	-------------	-------------	-----

1	DR50X-100	MANIFOLD, AIR INTAKE	1
2	DR70X-101	GASKET, AIR INTAKE 1	1
3	DR50X-102	CARBURETOR PZ19, KF (EPA)	1
4	DR50X-103	O-RING, CARBURETOR, (RUBBER)	2
5	DR70X-104	SPACER, (COMPOSITE PLASTIC)	1
6	DR50X-105	HOSE, OVERFLOW	1
7	DR70X-106	SPRING, RUBBER HOSE	1
8	DR50X-106	CLAMP, HOSE Φ 6	1
9	DR50X-107	AIR FILTER	1
10	DR50X-108	CLAMP, DUCT	1
11		HOSE, (UNAVAILABLE)	1
12		CLAMP, HOSE Φ 15 (UNAVAILABLE)	2
13	DR70X-112	ZS 70CC KICK START, SEMI AUTO	1
14	DR50X-113	COVER, CHAIN	1
15	DR50X-114	LOCKING WASHER, SPROCKET	1
16	DR70X-115	SPROCKET, ENGINE 420-16T	1
17	DR50X-116	LEVER, GEAR SHIFT	1
18	DR50X-117	LEVER, KICK START	1
19	DR50X-118	BOLT, FLANGED M6*20	4
20	DR50X-119	BOLT, FLANGED M6*25	2
21	DR50X-120	BOLT, FLANGED M6*35	1
22	DR50X-121	BOLT, FLANGED M6*30	2
23	DR50X-122	BOLT M6*8	2
24	DR50X-123	BOLT, FLANGED M8*110	1
25	DR50X-124	BOLT, FLANGEDM8*105 (GB/T5787)	1
26	DR50X-125	NUT, FLANGED, LOCKING M8	2
27	DR50X-127	GROMMET	1
28	DR50X-128	AIR INTAKE PIPES	1
29		CLAMP, HOSE Φ 13 (UNAVAILABLE)	4
30		CLAMP, HOSE Φ 11 (UNAVAILABLE)	1
31		AIR/OIL SEPERATOR (UNAVAILABLE)	1
32		HOSE, (UNAVAILABLE)	1
33		HOSE, (UNAVAILABLE)	1
34		CAP, AIR/OIL SEPERATOR (UNAVAILABLE)	1
35	DR50X-135	AIR/OIL SEPERATOR ASSY.	1
36	DR70X-135	SPARK PLUG	1

Image Web Part [26]





ACTUATOR VALVE

Item No	Part Number	Description	Qty
1	DR50X-136	ACTUATOR VALVE ASSY.	1
2		2 VALVE (UNAVAILABLE)	1
3		FILTER (UNAVAILABLE)	1
4		PIPE FOR AIR FITTER (UNAVAILABLE)	1
5	DR50X-140	WASHER	1
6		HOSE, INTAKE 1 (UNAVAILABLE)	1
7		HOSE, INTAKE 2 (UNAVAILABLE)	1
8		HOSE, INTAKE 3 (UNAVAILABLE)	1
9	DR50X-110	CLAMP, HOSE ϕ 11	4
10	DR50X-119	BOLT, FLANGED M6*25	1
11	DR50X-118	BOLT, FLANGED M6*20	4
12	DR50X-147	NUT, FLANGED, LOCKING M6	1
13	DR70X-148	CLAMP, HOSE ϕ 6	2

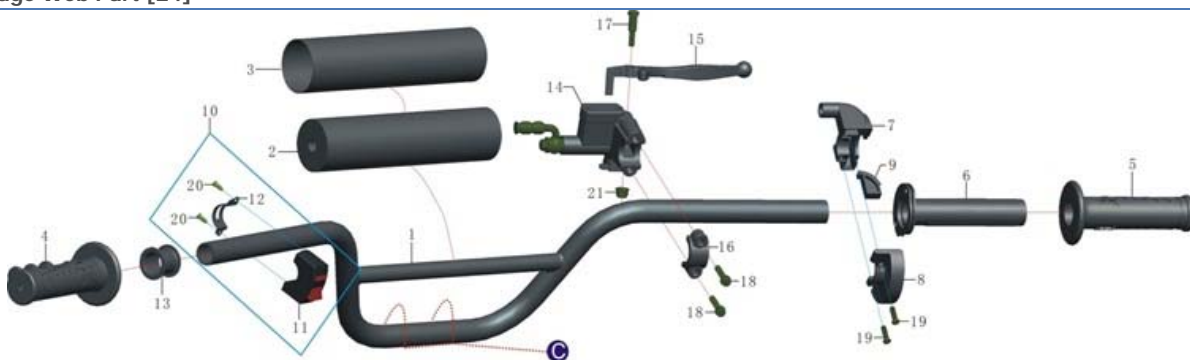
Image Web Part [25]



EXHAUST

Item No	Part Number	Description	Qty
	DR70X-149	EXHAUST ASSEMBLY (EPA)	1
		EXHAUST PIPE (UNAVAILABLE) (EPA)	1
		MUFFLER (UNAVAILABLE) (USFS)	1
3		MUFFLER (UNAVAILABLE)	1
4		SHIELD, EXHAUST 1 (UNAVAILABLE)	1
5		SHIELD, EXHAUST 2 (UNAVAILABLE)	1
6	DR50X-153	SEAL, EXHAUST	1
7	DR50X-154	CLAMP, DUCT, EXHAUST	1
8	DR50X-155	CUSHION, BRACKET	1
9	DR50X-156	CAP, FRAME, FRONT	1
10	DR50X-157	BOLT, FLANGED M8*20	1
11	DR50X-158	BOLT, M6*10	5
12	DR50X-159	FLAT WASHER Ø8	1
13	DR50X-160	LOCK WASHER Ø6	7
14	DR50X-125	NUT, FLANGED, LOCKING M8	1
15	DR50X-162	BOLT, M6*21	2

Image Web Part [24]



HANDLEBAR

Item No	Part Number	Description	Qty
1	DR70X-165	HANDEL BAR	1

2	DR50X-164	FOAM PADDING, CROSSBAR	1
3	DR50X-165	COVER, FOAM PADDING	1
4	DR50X-166	GRIP, LH	1
5	DR50X-167	GRIP, RH	1
6	DR50X-168	INSERT THROTTLE HANDLE	1
7	DR50X-169	HOUSING, THROTTLE, TOP	1
8	DR50X-170	HOUSING, THROTTLE, BOTTOM	1
9	DR50X-171	GUIDE, THROTTLE CABLE	1
10	DR50X-172	STOP SWITCH ASSY.	1
11		STOP SWITCH (UNAVAILABLE)	1
12		BRACKET, STOP SWITCH(UNAVAILABLE)	1
13	DR50X-174	SLEEVE, STOP SWITCH	1
14	DR70X-178	MASTER CYLINDER, FRONT (UNAVAILABLE)	1
15	DR70X-179	LEVER, BRAKE, FRONT	1
16		BRACKET, MASTER CYLINDER, MIRROR (UNAVAILABLE)	1
17		BOLT, BRAKE LEVER (UNAVAILABLE)	1
18	DR50X-119	BOLT, FLANGED M6*25	2
19	DR50X-186	BOLT M5*16	2
20	DR50X-184	BOLT, ST3.6*12	2
21	DR50X-278	NUT, LOCKING M6	1

Image Web Part [23]

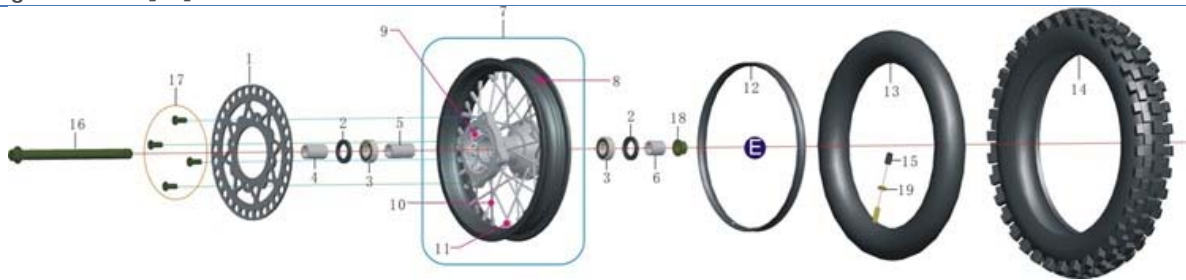


FRONT FORKS

Item No	Part Number	Description	Qty
1	DR70X-186	RISER, HANDLE BAR, TOP	2
2	DR70X-187	RISER, HANDLE BAR, BOTTOM	2
3	DR70X-188	TRIPLE CLAMP, TOP	1
4	DR70X-189	TRIPLE CLAMP, BOTTOM	1

5	DR50X-193	LOCKING NUT M22	1
6	DR50X-194	STOPPER, BEARING Φ 22.5	1
7		STOPPER, BEARING Φ 24	1
8		BEARING, STEERING STEM	2
9		RACE, BEARING	2
10	DR70X-195	STEERING STEM	1
11	DR70X-196	ADJUSTABLE INVERTED FORK, RH	1
12	DR90X-103	ADJUSTABLE INVERTED FORK, LH	1
13	DR70X-198	BRACKET, BRAKE HOSE, BOTTOM	1
14	DR70X-199	DISC, BRAKE, FRONT (UNAVAILABLE)	1
15	DR70X-200	BRAKE PADS, FRONT, RH	1
16	DR50X-207	BOLT, FLANGED M8*30	2
17	DR70X-202	BOLT M5*20	1
18	DR70X-203	BOLT M6*25	8
19	DR70X-204	BOLT M10*40*1.5	2
20	DR70X-205	BOLT M8*30	4
21	DR50X-211	NUT, M22	1
22	DR70X-207	NUT, LOCKING M5	1
23	DR70X-208	FLAT WASHER Φ 36* Φ 22.5*0.5	1
24	DR70X-209	FLAT WASHER Φ 10	2
25	DR70X-210	LOCK WASHER Φ 10	2

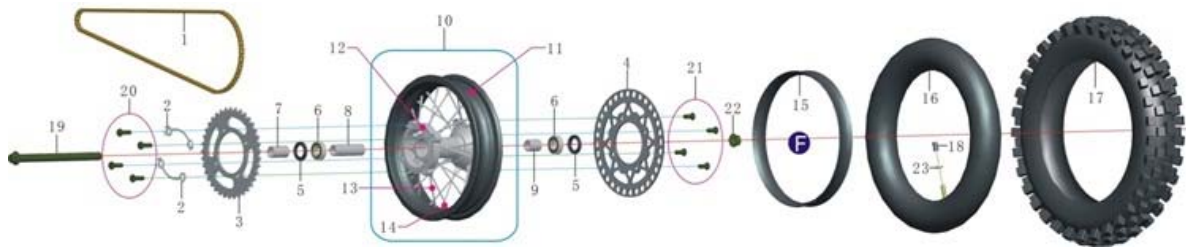
Image Web Part [22]



FRONT RIM

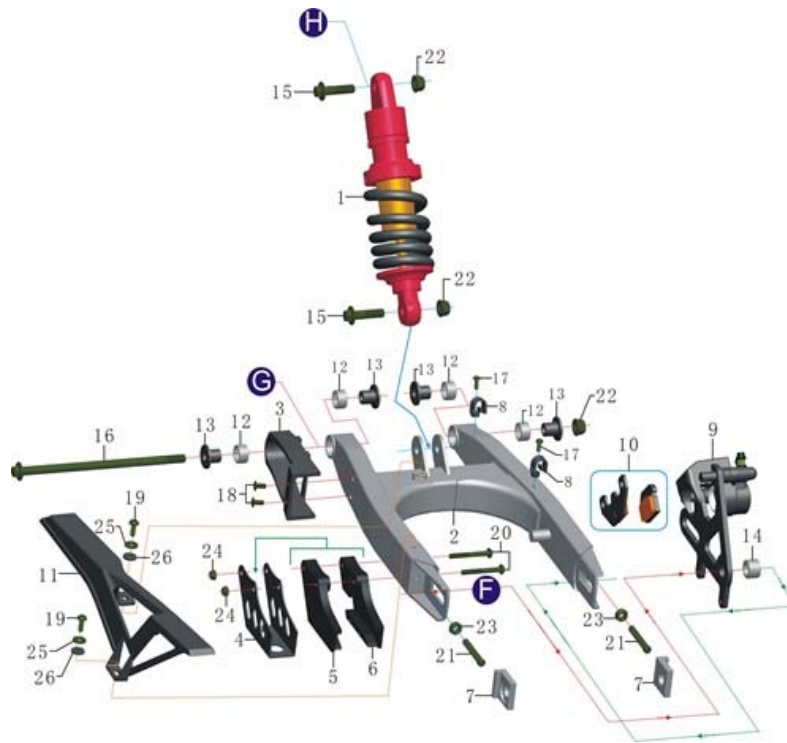
Item No	Part Number	Description	Qty
1	DR70X-211	DISC, BRAKE, REAR Φ 200	1
2	DR70X-212	SEAL, DUST 35*22*6	2
3	DR70X-213	FRONT RIM BEARING 6202	2
4	DR70X-214	SPACER Φ 15.5* Φ 22*29	1
5	DR70X-215	SPACER Φ 15.5* Φ 22*43	1
6	DR70X-216	SPACER Φ 15.5* Φ 22*23	1
7	DR70X-217	RIM ASSY. FRONT, 1.4*10"	1
8		RIM, FRONT 1.4*10"	1
9		HUB, FRONT	1
10	DR70X-220	SPOKES	32
11	DR50X-226	NUT, SPOKES	32
12	DR50X-227	INNER TUBE PROTECTOR BAND	1
13	DR50X-228	INNER TUBE 60/100-12	1
14	DR50X-229	TIRE, FRONT, 12"	1
15	DR50X-230	CAP, AIR VALVE	1
16	DR70X-226	BOLT, FLANGED M14*215	1
17	DR70X-227	BOLT M8*20	4
18	DR70X-228	NUT, FLANGED, LOCKING M14	1
19	DR50X-233	NUT M8	1

Image Web Part [21]

**REAR RIM**

Item No	Part Number	Description	Qty
1	DR70X-230	CHAIN 420-98L	1
2	DR70X-231	LOCKING WASHER, SPROCKET	2
3	DR70X-232	SPROCKET, REAR 420-41T/ $\phi 76 \times \phi 92$	1
4	DR70X-211	DISC, BRAKE, REAR $\phi 200$	1
5	DR70X-212	SEAL, DUST 35*22*6	2
6	DR70X-213	FRONT RIM BEARING 6202	2
7	DR70X-236	SPACER $\phi 15.5 \times \phi 22 \times 39.5$	1
8	DR70X-237	SPACER $\phi 15.5 \times \phi 22 \times 73$	1
9	DR70X-238	SPACER $\phi 15.2 \times \phi 22 \times 28.5$	1
10	DR70X-239	RIM, REAR ASSY. 1.85*10"	1
11		RIM, FRONT 1.85*10"	1
12		HUB, FRONT	1
13	DR70X-242	SPOKES	32
14	DR50X-226	NUT, SPOKES	32
15	DR50X-227	INNER TUBE PROTECTOR BAND	1
16	DR50X-228	INNER TUBE 80/100-10	1
17	DR50X-229	TIRE, FRONT, 10"	1
18	DR50X-230	CAP, AIR VALVE	1
19	DR70X-226	BOLT, FLANGED M14*215	1
20	DR50X-258	BOLT M8*25	4
21	DR70X-227	BOLT M8*20	4
22	DR70X-228	NUT, FLANGED, LOCKING M14	1
23	DR50X-233	NUT M8	1

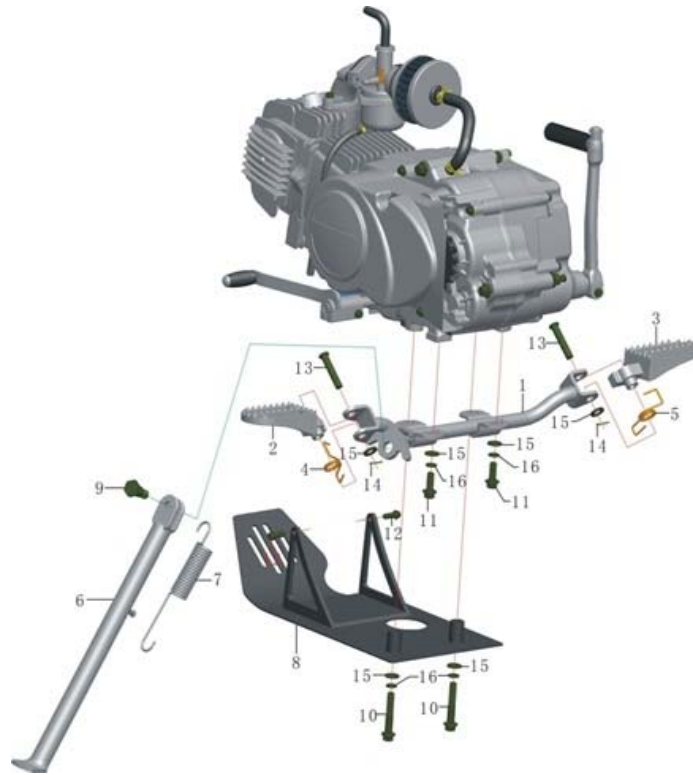
Image Web Part [20]



REAR SWING ARM

Item No	Part Number	Description	Qty
1	DR70X-253	REAR SHOCK L=260MM	1
2	DR70X-254	SWING ARM, REAR	1
3	DR70X-255	GUIDE, CHAIN	1
4	DR70X-256	PLATE, CHAIN GUIDE	1
5	DR70X-257	CHAIN GUIDE INSERT, RUBBER, LH	1
6	DR70X-258	CHAIN GUIDE INSERT, RUBBER, RH	1
7	DR70X-259	ADJUSTER, WHEEL	2
8	DR70X-260	BRACKET, BRAKE HOSE	2
9	DR90X-155	CALIPER, BRAKE, REAR(UNAVAILABLE)	1
10	DR90X-156	BRAKE PADS, REAR	1
11	DR70X-263	GUARD, CHAIN	1
12	DR70X-264	BEARING HK1612	4
13	DR70X-265	SPACER $\Phi 10.5 \times \Phi 16 \times 19$	4
14	DR70X-266	SPACER $\Phi 15.2 \times \Phi 22 \times 15$	1
15	DR50X-269	BOLT, FLANGED M10*40	2
16	DR70X-268	BOLT, FLANGED M10*210	1
17		BOLT M5*12	2
18	DR50X-158	BOLT, M6*10	2
19	DR50X-205	BOLT M6*16	2
20	DR70X-272	BOLT M6*45	2
21	DR70X-273	REAR JACK BOLTS M8*50	2
22	DR50X-275	NUT, FLANGED, LOCKING M10	3
23	DR70X-275	NUT M8	2
24	DR50X-278	NUT, LOCKING M6	2
25	DR50X-309	FLAT WASHER $\Phi 6$	2
26	DR50X-310	RUBBER WASHER $\Phi 6$	2

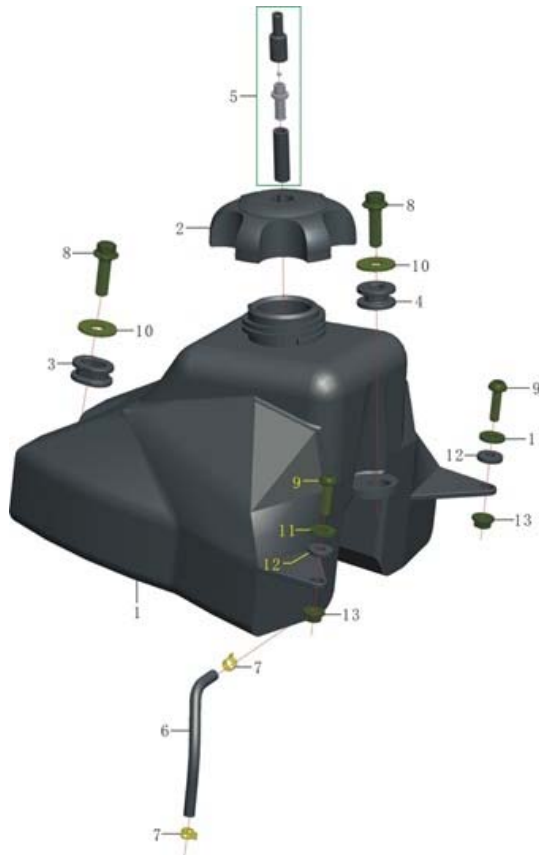
Image Web Part [19]



FOOTREST

Item No	Part Number	Description	Qty	
	1	DR70X-291	BRACKET, FOOT REST, ENGINE	1
	2	DR70X-292	FOOT REST, LH	1
	3	DR70X-293	FOOT REST, RH	1
	4	DR70X-294	SPRING, FOOT REST, LH	1
	5	DR90X-104	SPRING, FOOT REST, RH	1
	6	DR70X-296	KICK STAND	1
	7	DR50X-291	SPRING, KICK STAND	1
	8	DR70X-298	ENGINE SKID PLATE (PROTECTOR)	1
	9	DR50X-292	BOLT M10*25	1
	10	DR70X-300	BOLT, FLANGED M8*45	2
	11	DR50X-157	BOLT, FLANGED M8*20	2
	12	DR70X-302	BOLT, FLANGED M6*16	2
	13	DR50X-293	PIN, ROD ϕ 8*40	2
	14	DR50X-295	COTTER PIN	2
	15	DR50X-296	FLAT WASHER ϕ 8	6
	16	DR50X-188	LOCK WASHER ϕ 8	4

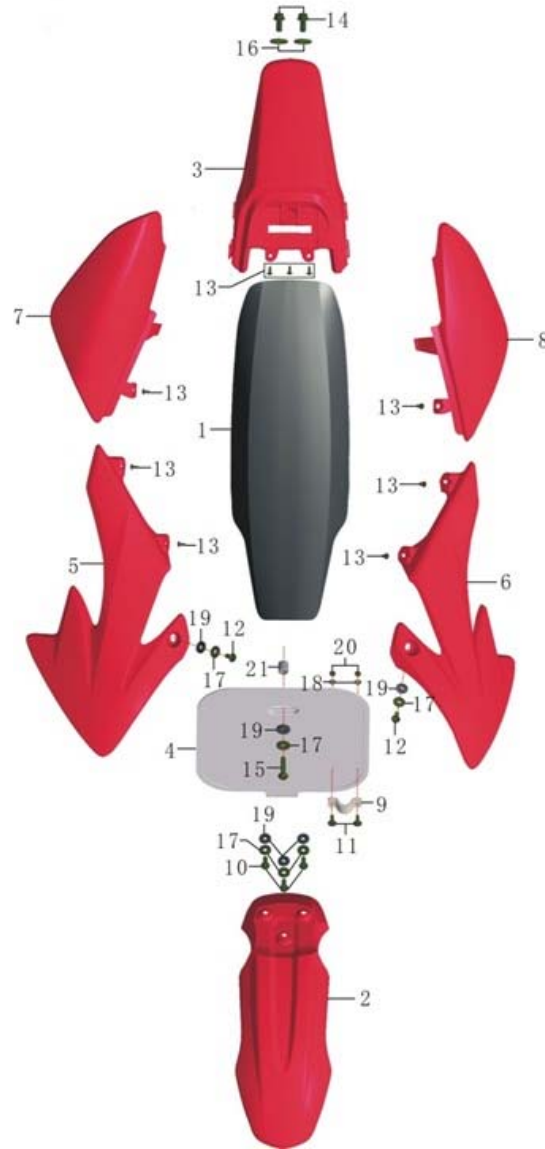
Image Web Part [18]



FUEL TANK

Item No	Part Number	Description	Qty
			▼
			1
1	DR50X-297	FUEL TANK (EPA)	1
2	DR50X-299	FUEL CAP (EPA)	1
3	DR50X-301	GROMMET, OVAL	1
4	DR50X-302	GROMMET, OVAL	1
5	DR70X-311	HOSE, BREATHER	1
6	DR50X-105	HOSE, OVERFLOW 2	1
7	DR50X-106	CLAMP, HOSE Φ 6	2
8	DR50X-271	BOLT, FLANGED M8*25	2
9	DR50X-307	BOLT M6*20	2
10	DR50X-308	FLAT WASHER Φ 8	2
11	DR50X-309	FLAT WASHER Φ 6	2
12	DR50X-310	RUBBER WASHER Φ 6	2
13	DR50X-311	NUT M6	2
14		SPACER 8 X 12 X 12	1
15		SPACER 8 X 12 X 10	1

Image Web Part [17]



FENDERS

Item No	Part Number	Description	Qty
1	DR50X-312	SEAT	1
2	DR50X-313	FENDER, FRONT	1
3	DR50X-314	FENDER, REAR	1
4	DR70X-326	FRONT NUMBER PLATE	1
5	DR50X-316	FAIRING, FUEL TANK, RH	1
6	DR50X-317	FAIRING, FUEL TANK, LH	1
7	DR50X-318	FAIRING, REAR, RH	1
8	DR50X-319	FAIRING, REAR, LH	1
9	DR50X-320	BRACKET	1
10	DR50X-205	BOLT M6*16	3
11		BOLT M4*12	2
12	DR70X-334	BOLT M5*12	2
13	DR50X-324	BOLT, ST4.8*16	9
14	DR50X-325	BOLT, FLANGED M8*16	2
15	DR70X-337	BOLT M6*25	1
16	DR50X-308	FLAT WASHER Ø8	2
17	DR50X-309	FLAT WASHER Ø6	6

18	DR50X-328	FLAT WASHER ϕ 4	2
19	DR50X-310	RUBBER WASHER ϕ 6	6
20	DR50X-330	NUT, LOCKING M4	2
21		SPACER ϕ 8* ϕ 12*12	1

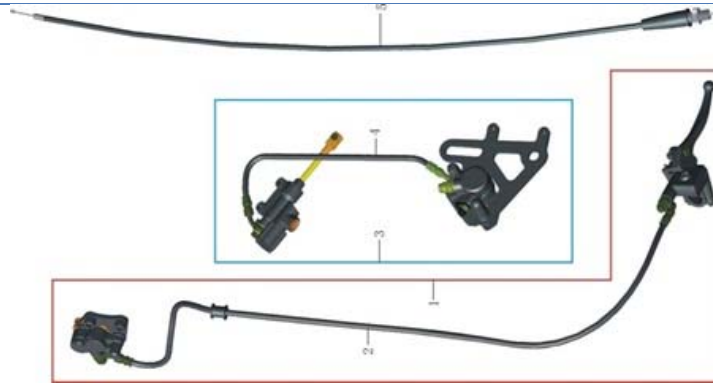
Image Web Part [16]



ELECTRICAL

Item No	Part Number	Description	Qty
1	DR70X-344	WIRING HARNESS	1
2	DR50X-332	IGNITION COIL	1
3	DR50X-333	CDI	1
4	DR50X-334	KEY SWITCH	1

Image Web Part [15]



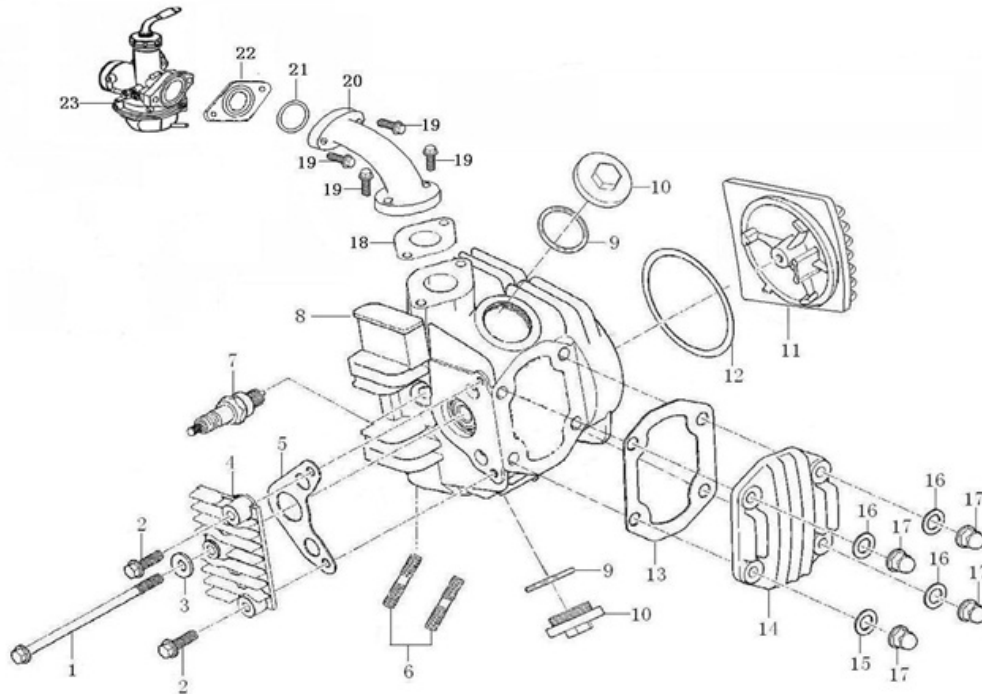
BRAKES

Item No	Part Number	Description	Qty
1	DR90X-108	TOOL KIT	1

DECALS

Item No	Part Number	Description	Qty
1	DR90X-109	STICKER KIT 513	1

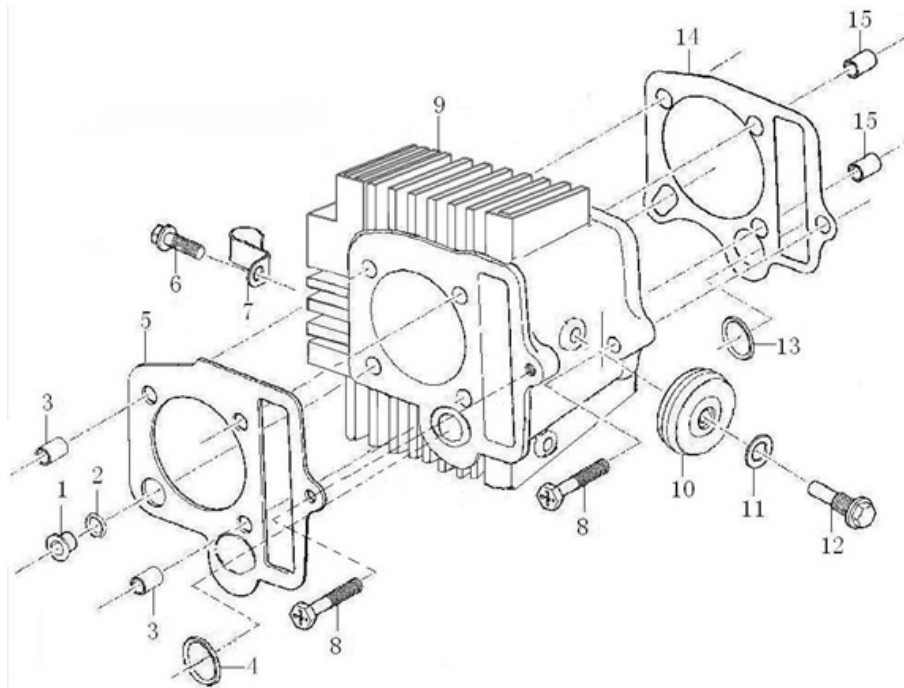
Image Web Part [14]



CYLINDER HEAD

Item No	Part Number	Description	Qty
1	DR50X-339	BOLT M6×110	1
2	DR50X-340	BOLT M6×20	2
3	DR50X-341	WASHER 6.5×1×12	1
4	DR90X-110	RIGHT COVER, CYLINDER HEAD	1
5	DR50X-343	GASKET,R,CYLINDER HEAD COVER	1
6	DR50X-344	BOLT M6×32	2
7	DR50X-345	SPARK PLUG	1
8	DR90X-111	CYLINDER HEAD ASSY	1
9	DR50X-347	O-RING 29.6×3.2	2
10	DR50X-348	COVER, VALVE CHAMBER	2
11	DR90X-112	LEFT COVER, CYLINDER HEAD	1
12	DR50X-350	GASKET,L,CYLINDER HEAD COVER	1
13	DR50X-351	GASKET, CYLINDER HEAD UPPER COVER	1
14	DR90X-113	UPPER COVER, CYLINDER HEAD	1
15	DR50X-353	WASHER 6.2×2×13	1
16	DR50X-354	WASHER 6.2×2×13	3
17	DR50X-355	NUT M6	4

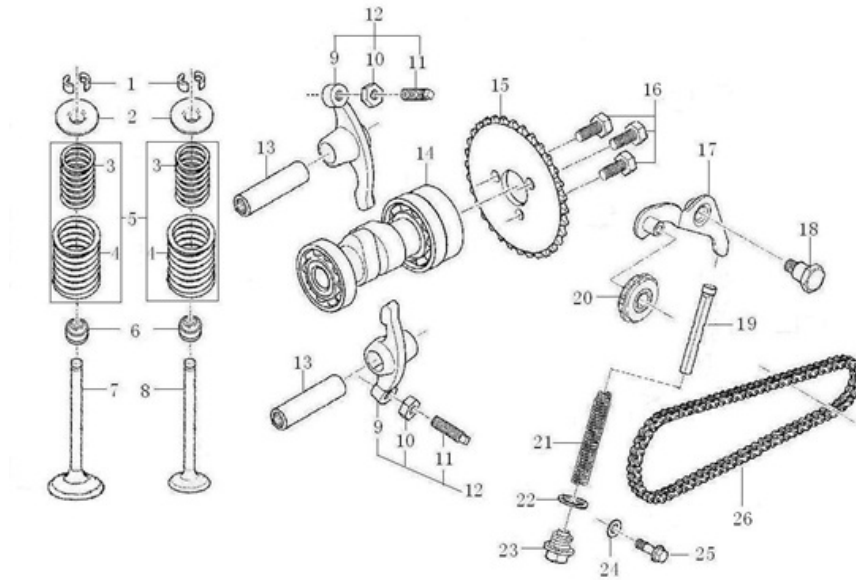
Image Web Part [13]



CYLINDER

Item No	Part Number	Description	Qty
1	DR50X-356	BUSH 9.5	1
2	DR50X-357	RECTANGLE RING 8×10.8×1.5	1
3	DR50X-358	PIN 8×14×6.3	2
4	DR50X-359	RECTANGLE RING 14×18.2×2.5	1
5	DR70X-376	GASKET ASSY,CYLINDER HEAD	1
6	DR50X-361	BOLT M6×16	1
7	DR50X-362	CLIP, HIGH VOLTAGE WIRE	1
8	DR50X-363	BOLT M6×23	2
9	DR90X-114	CYLINDER BLOCK ASSEMBLY	1
10	DR50X-365	GUIDE CHAIN ROLLER SET	1
11	DR50X-366	WASHER 8.5×1.5×14	1
12	DR50X-367	GUIDE CHAIN ROLLER PIN	1
13	DR50X-368	RECTANGLE RING 11.5×16×2.5	1
14	DR50X-369	GASKET,CYLINDER BLOCK	1
15	DR50X-370	PIN 8×12×6.3	2

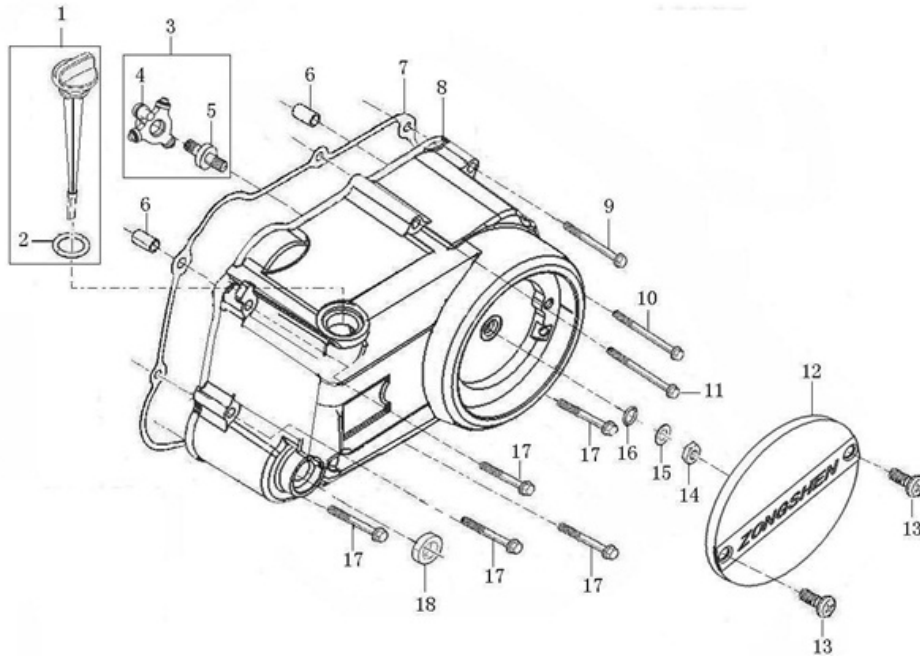
Image Web Part [12]



VALVES

Item No	Part Number	Description	Qty
1	DR50X-371	VALVE COTTER	4
2	DR50X-372	SPRING SEAT	2
3	DR50X-373	VALVE INNER SPRING	2
4	DR50X-374	VALVE OUTER SPRING	2
5	DR50X-375	INNER SPRING,ASSY	2
6	DR50X-376	SEAL, VALVE STEM	2
7	DR70X-393	INLET VALVE	1
8	DR70X-394	EXHAUST VALVE	1
9	DR50X-379	ROCKER ARM	2
10	DR50X-380	NUT, VALVE CLEARANCE	2
11	DR50X-381	SCREW, VALVE CLEARANCE	2
12	DR50X-382	ROCKER ARM ASSEMBLY, VALVE	2
13	DR50X-383	ROCKER SHAFT	2
14	DR70X-400	GAMP SHAFT COMP	1
15	DR50X-385	TIMING DRIVEN SPROCKET	1
16	DR50X-386	BOLT M5×12	3
17	DR50X-387	CHAIN ADJUSTING SET	1
18	DR50X-388	AXLE, TENSIONER LEVER	1
19	DR50X-389	CHAIN TYHT SET	1
20	DR50X-390	LIFTER ASSY	1
21	DR50X-391	SPRING	1
22	DR50X-392	WASHER 14.5×1.5×20	1
23	DR50X-393	SEALING PLUG M14×1.5	1
24	DR50X-394	WASHER 6.2×1.5×13	1
25	DR50X-395	BOLT M6×18	1
26	DR90X-115	SPROKET CHAIN	1

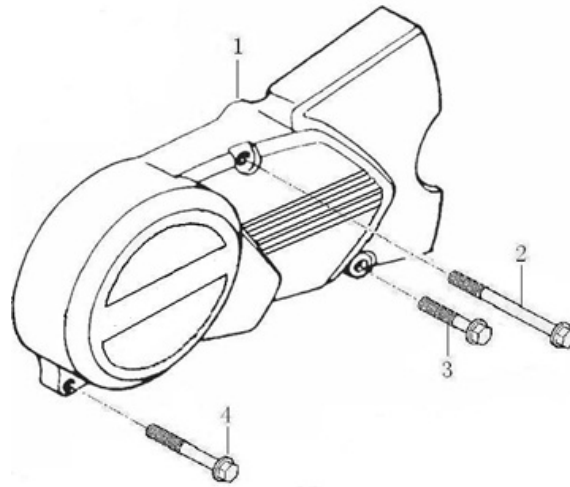
Image Web Part [11]



RIGHT CRANKCASE COVER

Item No	Part Number	Description	Qty
1	DR90X-116	OIL RULER ASSY	1
2	DR50X-398	O-RING 18×3	1
3	DR50X-399	CLUTCH TAPPET	1
4	DR50X-400	CLUTCH TAPPET	1
5	DR50X-401	BOLT M8	1
6	DR50X-370	PIN 8×12×6.3	2
7	DR50X-403	GASKET, R.CRANKCASE COVER	1
8	DR90X-117	COVER COMP. RIGHT CRANKCASE	1
9	DR50X-405	BOLT M6×80	1
10	DR90X-118	BOLT M6×90	1
11	DR50X-406	BOLT M6×65	1
12	DR90X-119	DECORATE COVER ,R.CRANKCASE COVER	1
13	DR90X-120	SCREW M6×16	2
14	DR90X-121	NUT 8	1
15	DR50X-408	WASHER φ8	1
16	DR50X-407	O-RING 8×1.8	1
17	DR50X-410	BOLT M6×40	5
18	DR50X-411	OIL SEAL 13.8×24×5	1

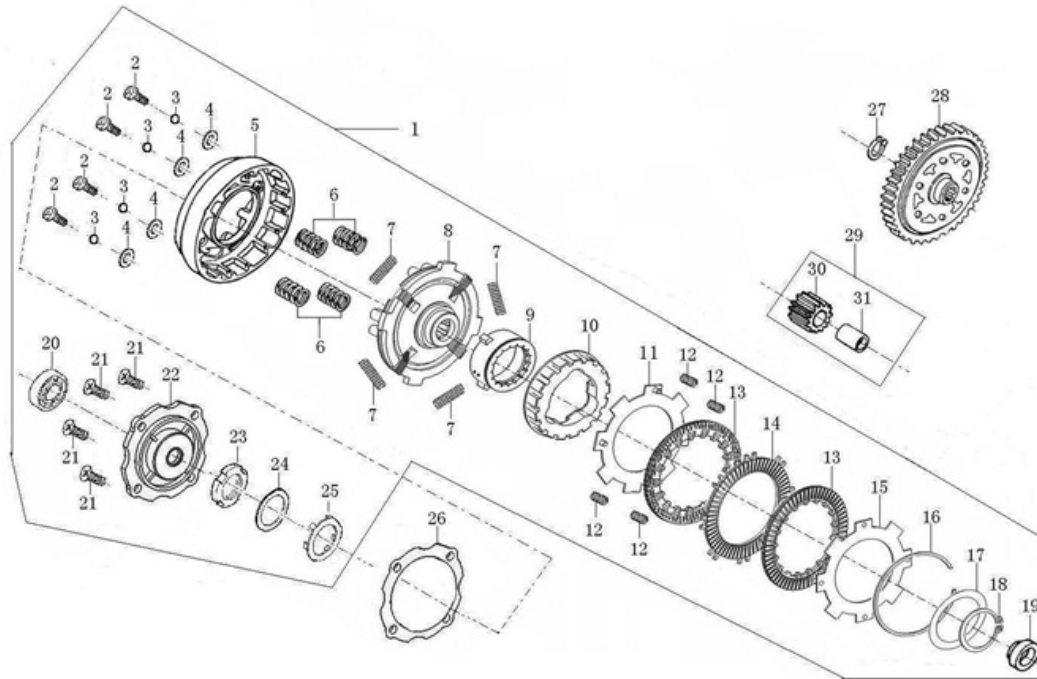
Image Web Part [10]



LEFT CRANKCASE COVER

Item No	Part Number	Description	Qty
1	DR90X-122	L.CRANKCASE COVER FRONT PART	1
2	DR90X-123	BOLT M6×35	1
3	DR90X-124	BOLT M6×28	1
4	DR90X-125	BOLT M6×32	1

Image Web Part [9]

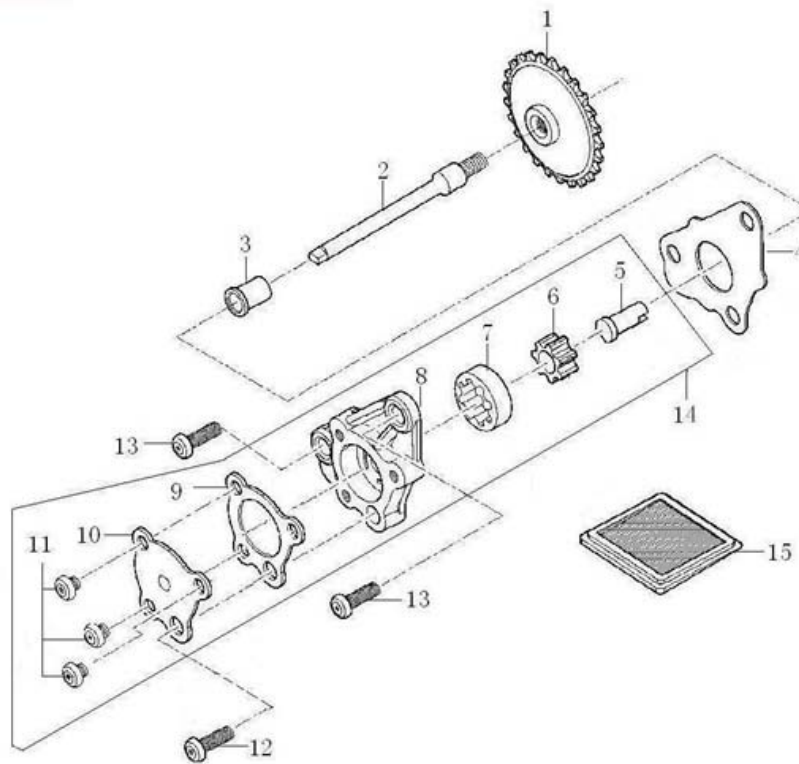


CLUTCH

Item No	Part Number	Description	Qty
1	DR90X-126	CLUTCH ASSY	1
2	DR70X-429	SCREW M5×12	4
3	DR70X-430	WASHER φ5	4
4	DR70X-431	WASHER φ5-140HV	4
5	DR70X-432	OUTER CASE, CLUTCH	1
6	DR70X-433	SPRING, CLUTCH	4
7	DR70X-434	ABSORBING SPRING	4
8	DR70X-435	DRIVE PLATE COMP	1

9	DR70X-436	ALIGNING SLIDING BUSH	1
10	DR90X127	HUB,CLUTCH SLEEVE	1
11	DR70X-438	CLUTCH TOP PLATE	1
12	DR70X-439	CLUTCH CUT SPRING	4
13	DR70X-440	OUTER FRICTION DISK A	2
14	DR70X-441	DRIVE FRICTION DISK	1
15	DR70X-442	CLUTCH BELOW PLATE	1
16	DR70X-443	ELASTIC CHECK RING	1
17	DR90X-128	SHOCK ABSORBER PLATE	1
18	DR90X-129	CIRCLIP 45	1
19	DR70X-446	SLEEVE	1
20	DR70X-447	BEARING (6000)	1
21	DR70X-448	SCREW M5×12	4
22	DR70X-449	END COVER,CLUTCH	1
23	DR50X-413	LOCK NUT, CLUTCH	1
24	DR50X-414	DISH WASHER, CLUTCH	1
25	DR50X-415	STOP WASHER, CLUTCH	1
26	DR70X-445	GASKET,END COVER	1
27	DR50X-416	CIRCLIP	1
28	DR50X-417	DRIVEN GEAR COMP	1
29	DR50X-418	DRIVEN GEAR	1
30	DR50X-420	PRIMARY DRIVE GEAR	1
31	DR50X-419	AXLE SLEEVE	1

Image Web Part [8]

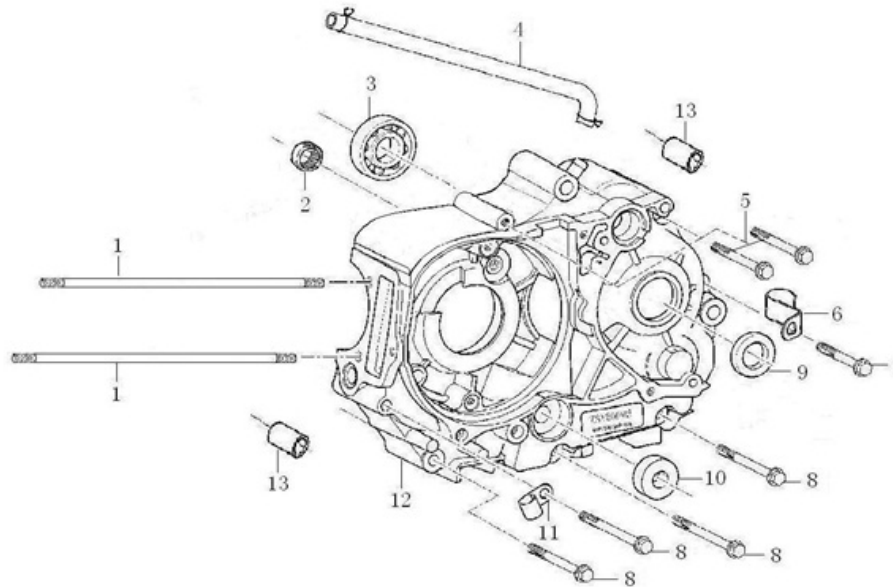


OIL PUMP

Item No	Part Number	Description	Qty
1	DR50X-421	HUB DUMP CHAIN SPROCKET, OIL PUMP	1
2	DR50X-422	OIL PUMP SPROCKET SHAFT	1
3	DR50X-423	BUSH, SPROCKET	1
4	DR50X-424	GASKET,OIL PUMP	1
5		SHAFT,OIL PUMP	1

6		INNER ROTOR, OIL PUMP	1
7		OUTER ROTOR, OIL PUMP	1
8		OIL PUMP BODY	1
9		GASKET,OIL PUMP COVER	1
10		OIL PUMP COVER	1
11		SCREW M5×10	3
12	DR50X-425	SCREW M6×22	1
13	DR50X-426	SCREW M6×16	2
14	DR50X-427	OIL PUMP ASSY	1
15	DR50X-428	STRAINER,OIL FILTER	1

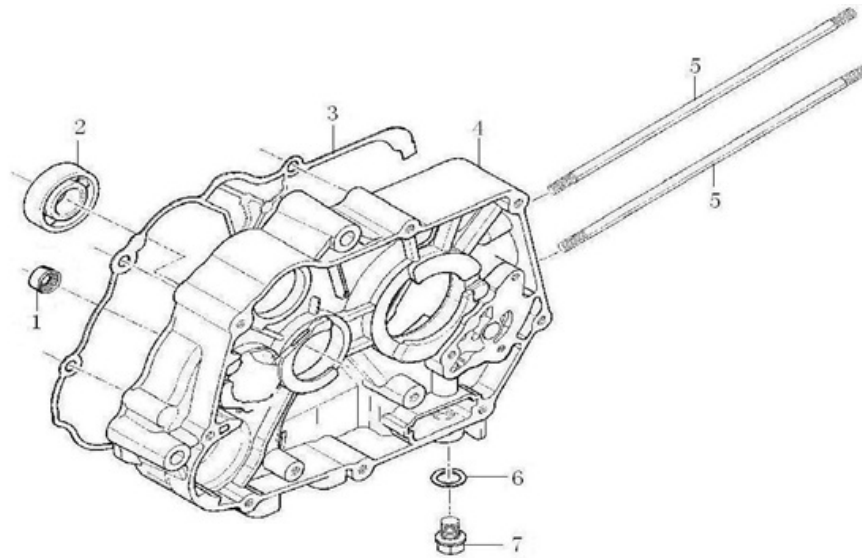
Image Web Part [7]



LEFT CRANKCASE

Item No	Part Number	Description	Qty
1	DR90X-130	CYLINDER STUD BOLT A	2
2	DR50X-430	NEEDLE BEARING(NK13.5×22×12)	1
3	DR50X-431	BEARING (6203)	1
4	DR50X-432	PIPE ASSY	1
5	DR50X-433	BOLT M6×60	2
6	DR50X-362	CLIP, HIGH VOLTAGE WIRE	1
7	DR50X-435	BOLT M6×45	1
8	DR50X-406	BOLT M6×65	4
9	DR50X-437	OIL SEAL 17×29×5	1
10	DR50X-438	OIL-SEAL 11.6×24×10	1
11	DR50X-439	CLIP, OVERFLOW PIPE	1
12	DR50X-440	LEFT CRANKCASE BLOCK	1
13	DR50X-441	PIN 10×14	2

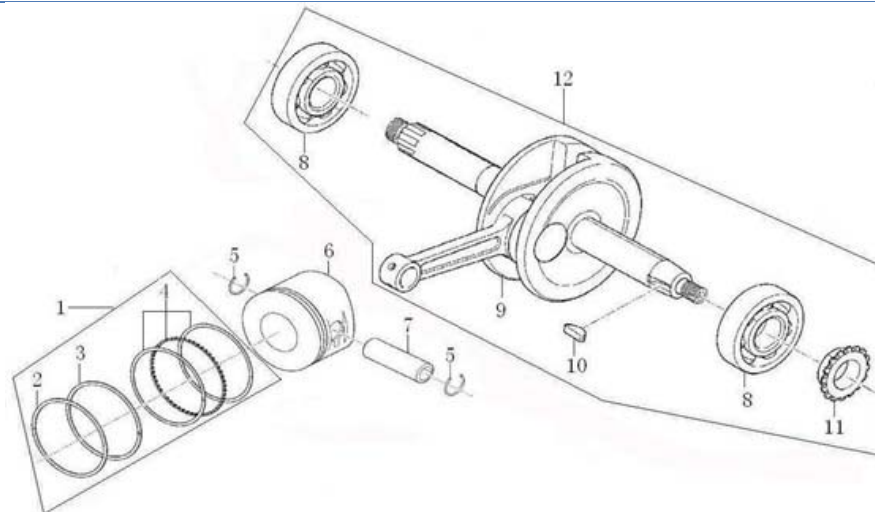
Image Web Part [6]



RIGHT CRANKCASE

Item No	Part Number	Description	Qty
1	DR50X-430	NEEDLE BEARING(NK13.5×22×12)	1
2	DR50X-431	BEARING (6203)	1
3	DR50X-444	GASKET,CRANKCASE	1
4	DR50X-445	RIGHT CRANKCASE BLOCK	1
5	DR90X-131	CYLINDER STUD BOLT B	2
6	DR50X-447	WASHER 12.4×2×20	1
7	DR50X-448	OIL DRAIN PLUG	1

Image Web Part [5]

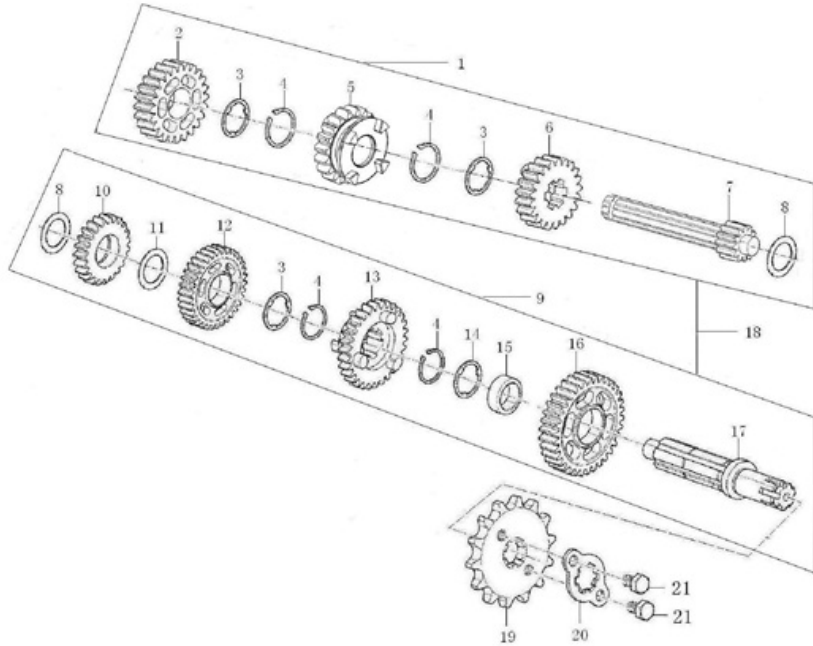


CONNECTING ROD

Item No	Part Number	Description	Qty
1	DR70X-502	PISTON RING COMP	1
2		PISTON RING 1	1
3		PISTON RING 2	1
4		OIL RING ASSY	1
5	DR50X-453	CHECK RING, PISTON PIN	2
6	DR70X-507	PISTON	1
7	DR70X-508	PIN PISTON	1
8	DR70X-509	BEARING (6304)	2
9		CONNECTING ROD COMP 3	1
10	DR70X-511	SEMICIRCULAR KEY	1

11	DR70X-512	HUB DUMP CHAIN SPROCKET	1
12	DR90X-133	CRANKSHAFT CONNECTING-ROD ASSY	1

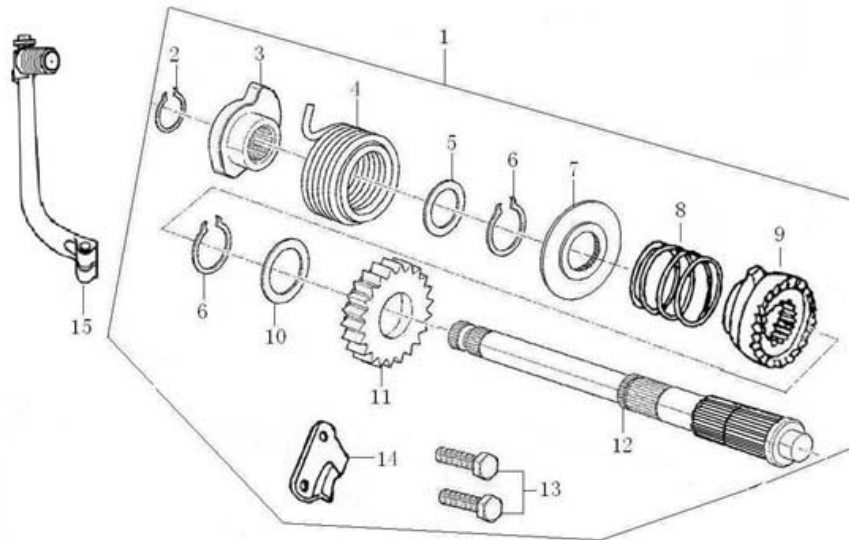
Image Web Part [4]



TRANSMISSION SHAFTS

Item No	Part Number	Description	Qty
1	DR70X-514	MAIN SHAFT, TRANSMISSION	1
2		GEAR M-4	1
3		WASHER	3
4		CIRCLIP	4
5		GEAR M-3	1
6		GEAR M-2	1
7		TRANSMISSION MAIN SHAFT	1
8		WASHER 13.7×0.5×26	2
9	DR70X-522	COUTERSHAFT TRANSMISSION	1
10		GEAR C-4	1
11		WASHER 17.2×1.0×26	1
12		GEAR C-3	1
13		GEAR C-2	1
14		WASHER	1
15		COLLAR	1
16		GEAR C-1	1
17		TRANSMISSION COUNTER SHAFT	1
18	DR70X-531	TRANSMISSION MAIN, COUNTER SHAFT	1
19	DR50X-460	DRIVE SPROCKET	1
20	DR50X-461	FIXING PLATE,DRIVE SPROCKET	1
21	DR50X-462	BOLT M6×10	2

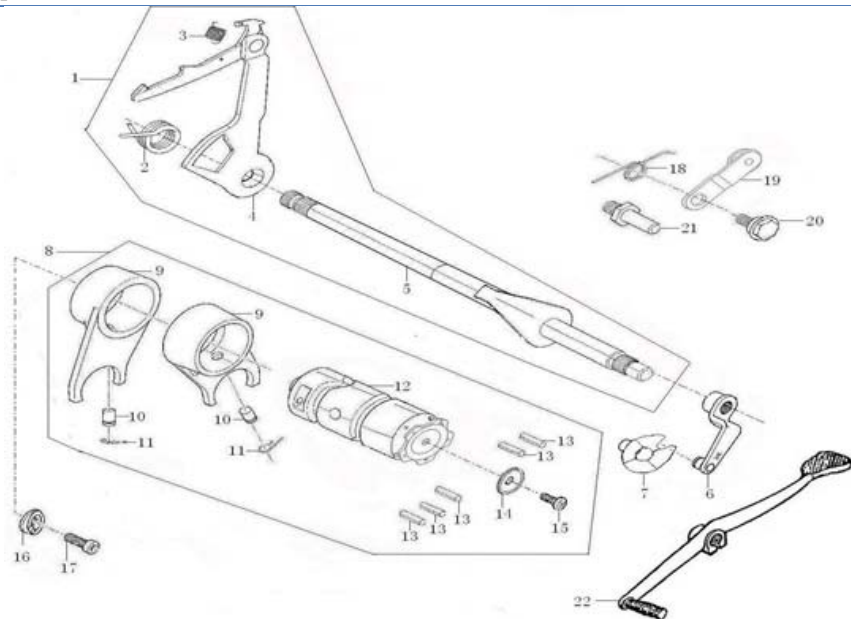
Image Web Part [3]



KICKSTARTER SHAFT

Item No	Part Number	Description	Qty
1	DR50X-463	KICK STARTING SHAFT ASSEMBLY	1
2		CIRCLI $\phi 15.5 \times 1.2 \times \phi 19$	1
3		SEAT, SPRING, KICK STARTING SHAFT	1
4		RETURN SPRING, KICK STARTING SHAFT	1
5		WASHER $17.2 \times 1.0 \times 24$	1
6		CIRCLI $\phi 18.5 \times 1.2 \times \phi 22.1$	2
7		SPRING SUPPORT	1
8		SPRING, KICK STARTING RATCHET WHEEL	1
9		STARTING RATCHET	1
10		WASHER $20.2 \times 1.0 \times 27$	1
11		GEAR, KICK STARTER	1
12		PIVOT, KICK STARTING SHAFT	1
13	DR70X-547	BOLT $M6 \times 20$	2
14	DR70X-548	SPACE, RATCHET WHEEL	1

Image Web Part [2]

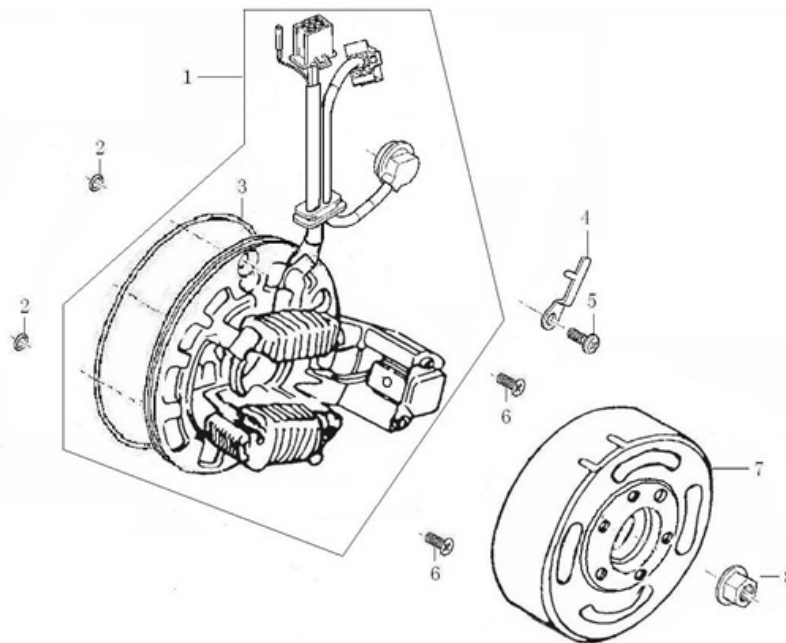


GEARSHIFT

Item No	Part Number	Description	Qty
---------	-------------	-------------	-----

1	DR50X-464	GEARSHIFT LEVER COMP	1
2		RETURN SPRING	1
3		GEARSHIFT LEVER TENSION SPRING	1
4		LIMIT SCREW	1
5		GEARSHIFT SHAFT COMP	1
6	DR50X-465	CONTROLLING ARM ASSEMBLY, CLUTCH	1
7	DR50X-466	CAM PLATE ASSEMBLY, CLUTCH	1
8	DR70X-556	GEARSHIFT DRUM COMP	1
9	DR70X-557	GEARSHIFT FORK	2
10	DR70X-558	GUIDE PIN	2
11	DR70X-559	CLIP, SPRING	2
12	DR70X-560	GEARSHIFT DRUM	1
13	DR70X-561	PIN 4×13	5
14	DR70X-562	SHIFT DRUM LOCATING PLATE GROUP	1
15	DR70X-563	SCREW M6×20	1
16	DR50X-473	CONTACT, GEAR INDICATION	1
17	DR50X-472	SCREW	1
18	DR50X-471	SPRING, LOCATING PLATE	1
19	DR50X-470	LOCATING PLATE ASSY	1
20	DR50X-469	BOLT FIXING PLATE	1
21	DR50X-468	BOLT, RETURN SPRING FIXING 8×11	1

Image Web Part [1]



MAGNETO

Item No	Part Number	Description	Qty
1	DR50X-469	STATOR ASSY, MAGNETO	1
2	DR90X-134	O-RING 6.5×1.8	2
3	DR90X-135	O-RING 106.8×2	1
4	DR50X-472	GEARSHIFT SWITCH PRESSING PLATE	1
5	DR50X-473	SCREW M6×12	1
6	DR50X-474	SCREW M6×16	2
7	DR50X-475	ROTOR ASSY, MAGNETO	1
8	DR50X-476	NUT	1
9	DR50X-477	OIL SEAL 19×30×5	1