



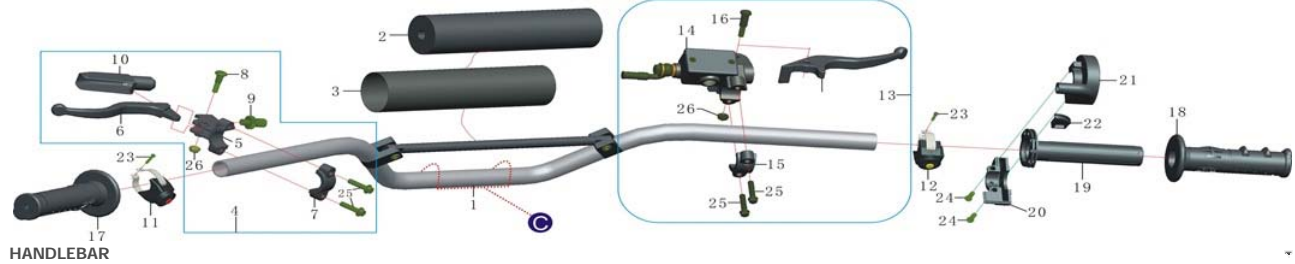
Baja Web > Product Information > Parts Lists > DIRTBIKE > DR150-XR Xmoto 150cc Dirt Bike (VIN PREFIX L98B)

DR150-XR Xmoto 150cc Dirt Bike (VIN PREFIX L98B)

Image Web Part [30]



Image Web Part [29]

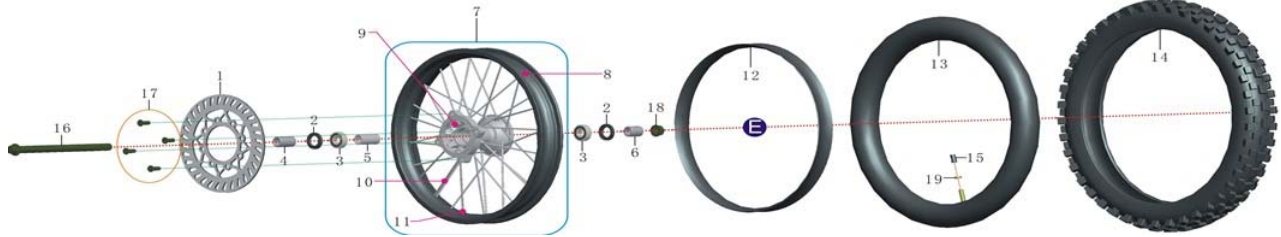


HANDLEBAR

Item No	Part Number	Description	Qty
1	DR150X-100	HANDEL BAR	1
2	DR150X-101	FOAM PADDING, CROSSBAR	1
3	DR150X-102	COVER, FOAM PADDING	1
4	DR150X-103	LEVER, CLUTCH ASSY.	1
5		CLUTCH LEVER HOUSING(N/A)	1
6	DR150X-105	LEVER, CLUTCH	1
7		BRACKET, HOUSING, CLUTCH LEVER(N/A)	1
8		BOLT, HOUSING, CLUTH LEVER (N/A)	1
9		ADJUSTER, CLUTCH CABLE (N/A)	1
10	DR150X-109	LEVER, CLUTCH GRIP	1
11	DR150X-110	STOP SWITCH	1
12	DR150X-111	START SWITCH	1
13		MASTER CYLINDER ASSY., FRONT(N/A)	1
14		MASTER CYLINDER, FRONT(N/A)	1
15	DR150X-114	BRACKET, MASTER CYLINDER(N/A)	1
16		BOLT, BRAKE LEVER(N/A)	1
17	DR150X-116	GRIP, LH	1

18	DR150X-117	GRIP, RH	1
19	DR150X-118	INSERT THROTTLE HANDLE	1
20	DR150X-119	HOUSING, THROTTLE, BOTTOM	1
21	DR150X-120	HOUSING, THROTTLE, TOP	1
22	DR150X-121	GUIDE, THROTTLE CABLE	1
23	DR150X-122	BOLT M4*16	2
24	DR150X-123	BOLT M5*16	2
25	DR150X-124	BOLT-FLANGED M6*25	4
26	DR150X-125	NUT, LOCKING M6	2

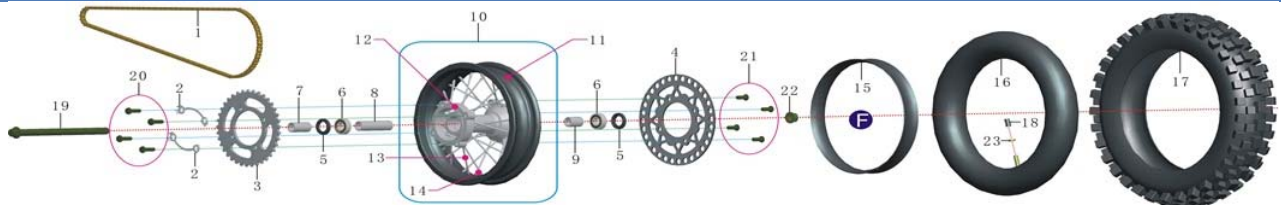
Image Web Part [28]



FRONT WHEEL

Item No	Part Number	Description	Qty
1	DR150X-126	DISC, BRAKE, FRONT ϕ 210	1
2	DR150X-127	SEAL, DUST 35*22*7	2
3	DR150X-128	FRONT RIM BEARING 6202-2RS	2
4	DR150X-129	SPACER ϕ 15.5* ϕ 22*36.5	1
5	DR150X-130	SPACER ϕ 15.5* ϕ 22*43	1
6	DR150X-131	SPACER ϕ 15.5* ϕ 22*28.5	1
7	DR150X-132	RIM ASSY. FRONT, 1.40*14"	1
8		RIM, FRONT 14"	1
9		HUB, FRONT	1
10	DR150X-135	SPOKES	32
11	DR150X-136	NUT, SPOKES	32
12	DR150X-137	INNER TUBE PROTECTOR BAND	1
13	DR150X-138	INNER TUBE	1
14	DR150X-139	TIRE, FRONT, 14"	1
15	DR150X-140	CAP, AIR VALVE, ALLOY	1
16	DR150X-141	BOLT, FLANGED M14*225	1
17	DR150X-142	BOLT M8*20	4
18	DR150X-143	NUT, FLANGED, LOCKING M14	1
19	DR150X-144	NUT M8	1

Image Web Part [27]



REAR WHEEL

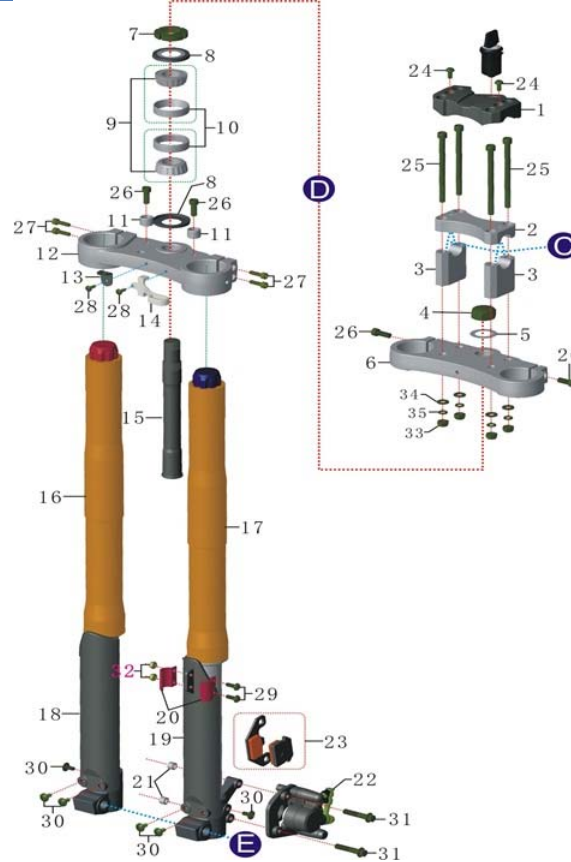
Item No	Part Number	Description	Qty
1	DR150X-145	CHAIN 428-114L	1
2	DR150X-146	LOCKING WASHER, SPROCKET	2
3	DR150X-147	SPROCKET, REAR 420-41T/ ϕ 76* ϕ 92	1
4	DR150X-148	DISC, BRAKE, REAR ϕ 200	1
5	DR150X-149	SEAL, DUST 35*22*7	2
6	DR150X-150	FRONT RIM BEARING 6202-2RS	2
7	DR150X-151	SPACER ϕ 15.5* ϕ 22*39.5	1
8	DR150X-152	SPACER ϕ 15.5* ϕ 22*73	1
9	DR150X-153	SPACER ϕ 15.2* ϕ 22*28.5	1
10	DR150X-154	RIM, REAR ASSY. 1.85*12"	1
11		RIM, REAR 12"	1
12		HUB, REAR	1
13	DR150X-157	SPOKES	32
14	DR150X-158	NUT, SPOKES	32
15	DR150X-159	INNER TUBE PROTECTOR BAND 12"	1
16	DR150X-160	INNER TUBE 12"	1
17	DR150X-161	TIRE, FRONT, 12"	1
18	DR150X-162	CAP, AIR VALVE	1
19	DR150X-163	BOLT, FLANGED M14*215	1
20	DR150X-164	BOLT M8*25	4
21	DR150X-165	BOLT M8*20	4
22	DR150X-166	NUT, FLANGED, LOCKING M14	1

23 DR150X-167

NUT M8

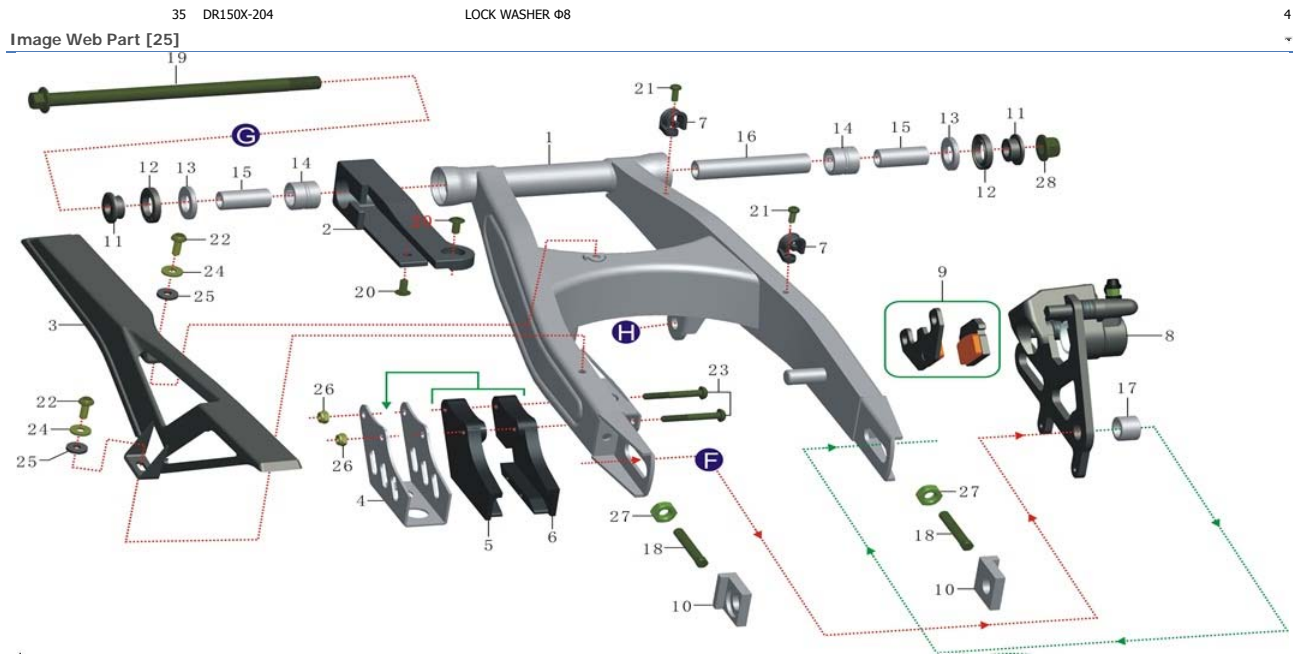
1

Image Web Part [26]



FRONT SHOCKS

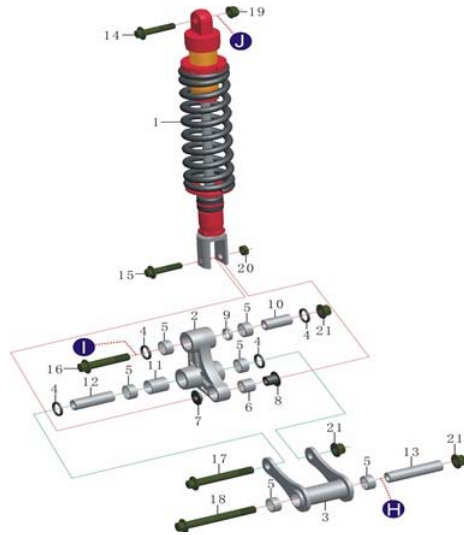
Item No	Part Number	Description	Qty
1	DR150X-168	COVER,KEY SWITCH	1
2	DR150X-169	RISER, HANDLE BAR, TOP	1
3	DR150X-170	RISER, HANDLE BAR, BOTTOM	2
4	DR150X-171	NUT, CAP, STEERING STEM M22	1
5	DR150X-172	FLAT WASHER $\phi 36 \times \phi 22.5 \times 0.5$	1
6	DR150X-173	TRIPLE CLAMP, TOP	1
7	DR150X-174	LOCKING NUT M25*1	1
8	DR150X-175	SEAL, DUST, TOP, STEERING STEM	2
9	DR150X-176	BEARING 32005X	2
10	DR150X-177	BEARING RACE	
11	DR150X-178	STOPPER,STEERING $\phi 8.5 \times \phi 13 \times 12.5$	2
12	DR150X-179	TRIPLE CLAMP, BOTTOM	1
13	DR150X-180	BRACKET,NUMBER PLATE	1
14	DR150X-181	BRACKET, BRAKE HOSE (PLASTIC)	1
15	DR150X-182	STEERING STEM 231MM	1
16	DR150X-183	ADJUSTABLE INVERTED FORK, RF	1
17	DR150X-184	ADJUSTABLE INVERTED FORK, LF	
18	DR150X-187	GUARD, FORK, RH (PROTECTOR)	1
19	DR150X-188	GUARD, FORK, LH (PROTECTOR)	1
20	DR150X-189	BRACKET, BRAKE HOSE	2
21	DR150X-190	SPACER $\phi 8.2 \times \phi 12 \times 6$	2
22	DR150X-191	CALIPER, BRAKE, FRONT (UNAVAILABLE)	1
23	DR150X-192	BRAKE PADS, FRONT	1
24	DR150X-193	BOLT M6*12	2
25	DR150X-194	BOLT M8*110	4
26	DR150X-195	BOLT M8*20	4
27	DR150X-196	BOLT M6*20	4
28	DR150X-197	BOLT M5*16	2
29	DR150X-198	BOLT M6*16	2
30	DR150X-199	BOLT M6*8	6
31	DR150X-200	BOLT-FLANGED M8*40	2
32	DR150X-201	NUT, LOCKING M6	2
33	DR150X-202	NUT,FLANGED,LOCKING M8	4
34	DR150X-203	FLAT WASHER $\phi 8$	4



REAR SWINGARM

Item No	Part Number	Description	Qty
1	DR150X-205	REAR SWING ARM	1
2	DR150X-206	GUIDE, CHAIN, SWING ARM	1
3	DR150X-207	COVER, CHAIN	1
4	DR150X-208	PLATE, CHAIN GUIDE	1
5	DR150X-209	CHAIN GUIDE INSERT, RUBBER, LH	1
6	DR150X-210	CHAIN GUIDE INSERT, RUBBER, RH	1
7	DR150X-211	BRACKET, BRAKE HOSE	2
8	DR150X-212	CALIPER, BRAKE, REAR(N/A)	1
9	DR150X-213	BRAKE PADS, REAR	1
10	DR150X-214	ADJUSTER, WHEEL	2
11	DR150X-215	SPACER $\phi 12.2 \times \phi 20 \times \phi 28 \times 10$	2
12	DR150X-216	SEAL, DUST $20 \times 32 \times 5$	2
13	DR150X-217	BEARING $17 \times 30 \times 4$	2
14	DR150X-218	BEARING NK17/20	2
15	DR150X-219	SPACER $\phi 12.1 \times \phi 17 \times 38$	2
16	DR150X-220	SPACER $\phi 12.5 \times \phi 18 \times 88$	1
17	DR150X-221	SPACER $\phi 15.2 \times \phi 22 \times 15$	1
18	DR150X-222	REAR JACK BOLTS M8*50	2
19	DR150X-223	BOLT, FLANGED M12*215	1
20	DR150X-224	BOLT M6*12	2
21	DR150X-225	BOLT M5*12	2
22	DR150X-226	BOLT M6*16	2
23	DR150X-227	BOLT M6*45	2
24	DR150X-228	FLAT WASHER $\phi 6$	2
25	DR150X-229	RUBBER WASHER $\phi 6$	2
26	DR150X-230	NUT, LOCKING M6	2
27	DR150X-231	NUT M8	2
28	DR150X-232	NUT, FLANGED, LOCKING M14	1

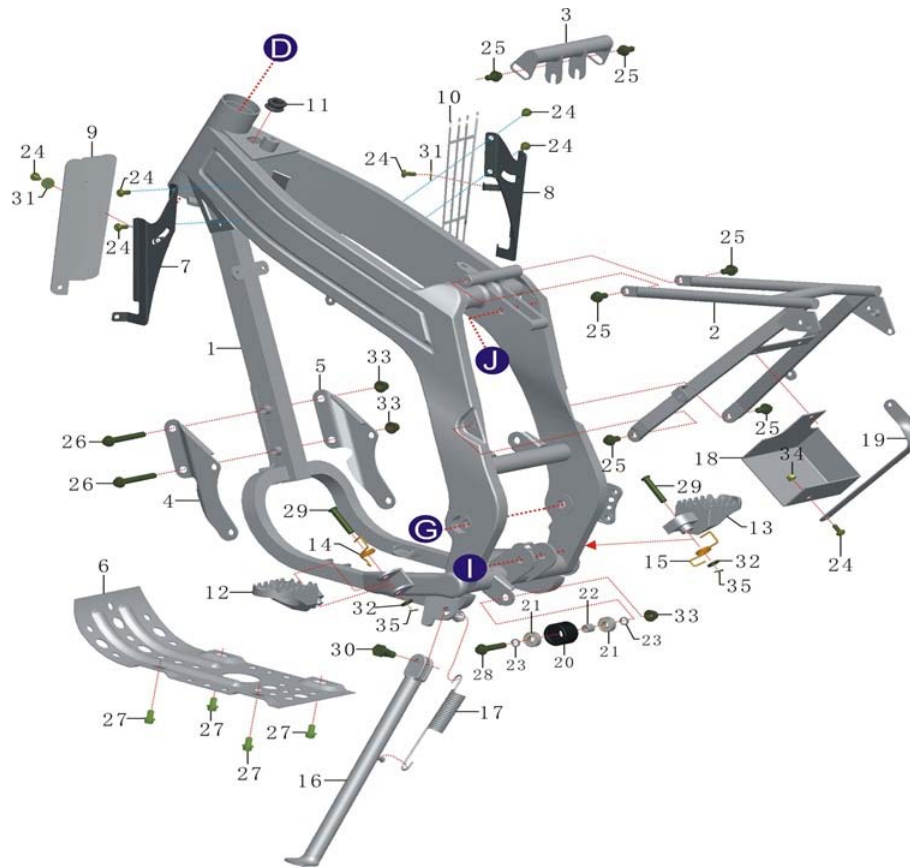
Image Web Part [24]



REAR SHOCK

Item No	Part Number	Description	Qty
1	DR150X-233	REAR SHOCK L=430MM	1
2	DR150X-234	LINKAGE, SUSPENSION	1
3	DR150X-235	SUSPENSION, TIE ROD	1
4	DR150X-236	SEAL, DUST 18*24*3	4
5	DR150X-237	BEARING HK1812	6
6	DR150X-238	BEARING HK162216	1
7	DR150X-239	SPACER $\Phi 10.2 \times \Phi 16 \times 6$	1
8	DR150X-240	SPACER $\Phi 10.2 \times \Phi 16 \times 17$	1
9	DR150X-241	SPACER $\Phi 20 \times \Phi 24 \times 6$	1
10	DR150X-242	SPACER $\Phi 12.2 \times \Phi 18 \times 40$	1
11	DR150X-243	SPACER $\Phi 20 \times \Phi 24 \times 27$	1
12	DR150X-244	SPACER $\Phi 12.2 \times \Phi 18 \times 61$	1
13	DR150X-245	SPACER $\Phi 12.2 \times \Phi 18 \times 83$	1
14	DR150X-246	BOLT-FLANGED M10*50	1
15	DR150X-247	BOLT-FLANGED M10*45	1
16	DR150X-248	BOLT-FLANGED M12*65	1
17	DR150X-249	BOLT-FLANGED M12*90	1
18	DR150X-250	BOLT-FLANGED M12*110	1
19	DR150X-251	NUT,FLANGED,LOCKING M10	1
20	DR150X-252	NUT M10	1
21	DR150X-253	NUT,FLANGED,LOCKING M12	3

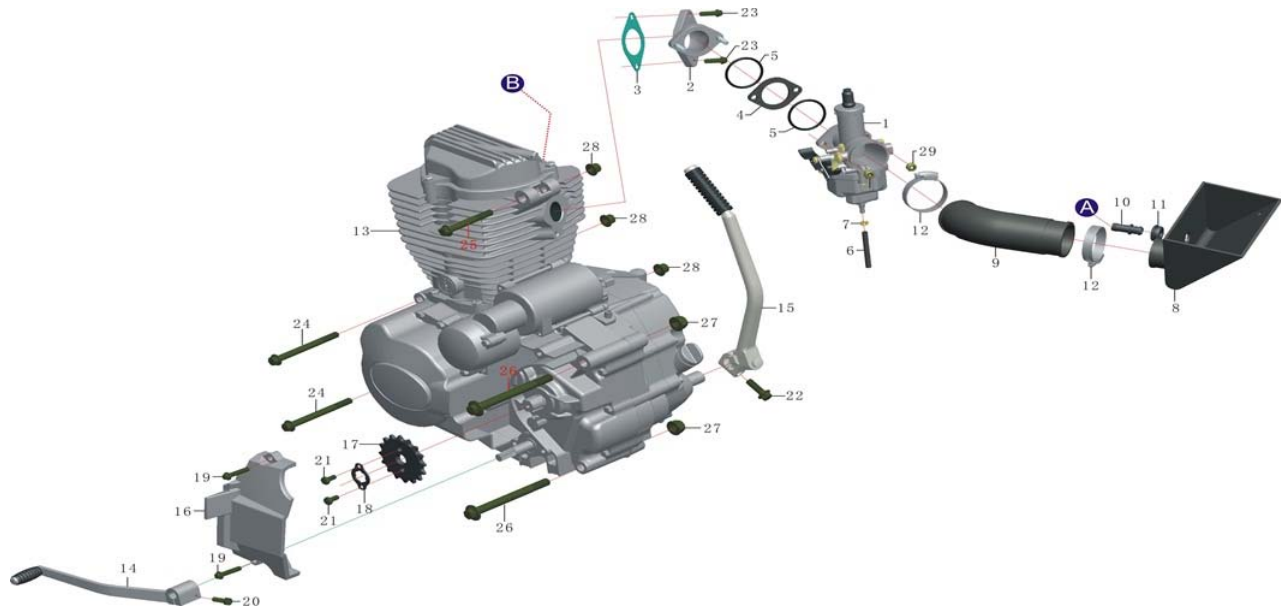
Image Web Part [23]



FRAME

Item No	Part Number	Description	Qty
1	DR150X-254	FRAME	1
2	DR150X-255	SUB-FRAME	1
3	DR150X-256	BRACKET TOP, ENGINE	1
4	DR150X-257	BRACKET, ENGINE LH	1
5	DR150X-258	BRACKET, ENGINE RH	1
6	DR150X-259	SOLEPLATE,ENGINE	1
7	DR150X-260	BRACKET, AIR DEFLECTOR, LH	1
8	DR150X-261	BRACKET, AIR DEFLECTOR, RH	1
9	DR150X-262	AIR DEFLECTOR, LH	1
10	DR150X-263	AIR DEFLECTOR, RH	1
11	DR150X-264	GROMMET, ROUND	1
12	DR150X-265	FOOT REST, LH	1
13	DR150X-266	FOOT REST, RH	1
14	DR150X-267	SPRING, FOOT REST, LH	1
15	DR150X-268	SPRING, FOOT REST, RH	1
16	DR150X-269	KICK STAND	1
17	DR150X-270	SPRING, KICK STAND	1
18	DR150X-271	BOX, BATTERY	1
19	DR150X-272	BRACKET, BATTERY BOX	1
20	DR150X-273	ROLLER, GUIDE, CHAIN	1
21	DR150X-274	BEARING 608Z	2
22	DR150X-275	SPACER $\phi 12 \times \phi 10 \times 12$	1
23	DR150X-276	SPACER $\phi 12 \times \phi 8 \times 3$	2
24	DR150X-277	BOLT M6*12	7
25	DR150X-278	BOLT-FLANGED M8*16	6
26	DR150X-279	BOLT-FLANGED M8*70	2
27	DR150X-280	BOLT-FLANGED M8*12	4
28	DR150X-281	BOLT-FLANGED M8*45	1
29	DR150X-282	PIN, ROD $\phi 8 \times 40$	2
30	DR150X-283	BOLT M10*25	1
31	DR150X-284	FLAT WASHER $\phi 6$	2
32	DR150X-285	FLAT WASHER $\phi 8$	2
33	DR150X-286	NUT, FLANGED, LOCKING M8	3
34	DR150X-287	NUT, LOCKING M6	1
35	DR150X-288	COTTER PIN	2

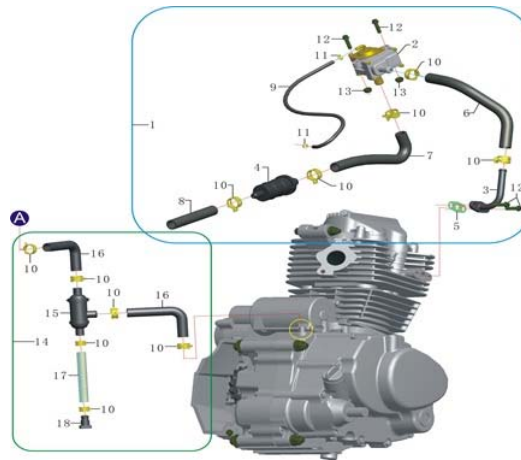
Image Web Part [22]



ENGINE

Item No	Part Number	Description	Qty
1	DR150X-289	CARBURETOR PZ27 (EPA)	1
2	DR150X-291	MANIFOLD, AIR INTAKE	1
3	DR150X-292	GASKET, AIR INTAKE	1
4	DR150X-293	SPACER, (COMPOSITE PLASTIC)	1
5	DR150X-294	O-RING, CARBURETOR, (RUBBER)	2
6	DR150X-295	HOSE, OVERFLOW	1
7	DR150X-296	CLAMP, HOSE Ø6	1
8	DR150X-297	AIR FILTER	1
9	DR150X-298	DUCT, FUNNEL	1
10	DR150X-299	AIR INTAKE PIPES	1
11	DR150X-300	GROMMET	1
12	DR150X-301	CLAMP, DUCT	2
13	DR150X-302	ZS 150CC ENGINE	1
14	DR150X-303	LEVER, GEAR SHIFT	1
15	DR150X-304	LEVER, KICK START	1
16	DR150X-305	COVER, CHAIN	1
17	DR150X-306	SPROCKET, ENGINE 428-16T	1
18	DR150X-307	LOCKING WASHER, SPROCKET	1
19	DR150X-308	BOLT, FLANGED M6*30	2
20	DR150X-309	BOLT M6*20	1
21	DR150X-310	BOLT M6*8	2
22	DR150X-311	BOLT, FLANGED M8*25	1
23	DR150X-312	BOLT, FLANGED M6*20	2
24	DR150X-313	BOLT, FLANGED M8*70	2
25	DR150X-314	BOLT, FLANGED M8*65	1
26	DR150X-315	BOLT, FLANGED M10*110	2
27	DR150X-316	NUT, FLANGED, LOCKING M10	2
28	DR150X-317	NUT, FLANGED, LOCKING M8	3
29	DR150X-318	NUT, LOCKING M6	2

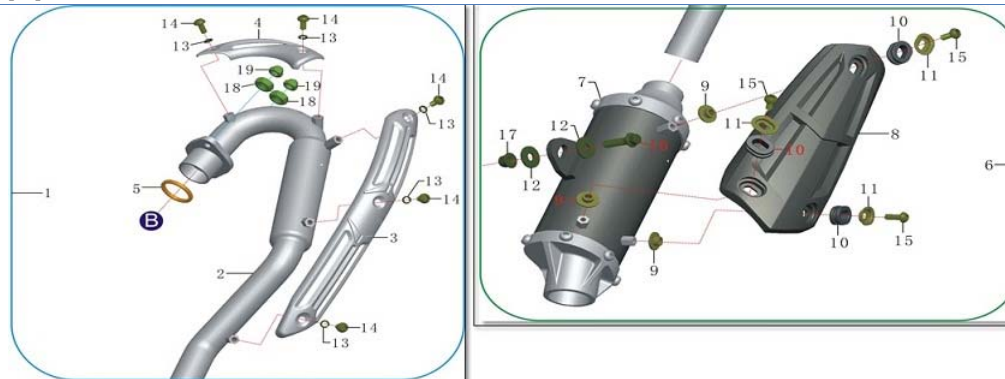
Image Web Part [21]



EMISSIONS

Item No	Part Number	Description	Qty
1	DR150X-319	ACTUATOR VALVE ASSY.	1
2		2 VALVE (UNAVAILABLE)	1
3		PIPE FOR AIR FITTER (UNAVAILABLE)	1
4		FILTER (UNAVAILABLE)	1
5	DR150X-323	WASHER	1
6		HOSE, INTAKE 1 (UNAVAILABLE)	1
7		HOSE, INTAKE 2 (UNAVAILABLE)	1
8		HOSE, INTAKE 3 (UNAVAILABLE)	1
9		HOSE, INTAKE 4 (UNAVAILABLE)	1
10		CLAMP, HOSE ϕ 11 (UNAVAILABLE)	11
11		CLAMP, HOSE ϕ 6 (UNAVAILABLE)	2
12	DR150X-330	BOLT, FLANGED M6*20	2
13	DR150X-331	NUT, LOCKING M6	2
14	DR150X-332	AIR/OIL SEPERATOR ASSY.	1
15		AIR/OIL SEPERATOR (UNAVAILABLE)	1
16		HOSE, (UNAVAILABLE) 1	2
17		HOSE, (UNAVAILABLE) 2	1
18		CAP, AIR/OIL SEPERATOR (UNAVAILABLE)	1

Image Web Part [20]

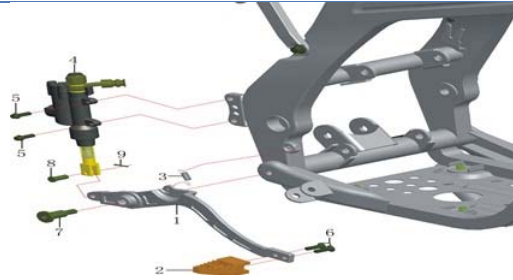


EXHAUST

Item No	Part Number	Description	Qty
1	DR150X-337	EXHAUST ASSY.	1
2	DR150X-338	EXHAUST (UNAVAILABLE)	1
3	DR150X-339	SHIELD, EXHAUST 1 (UNAVAILABLE)	1
4	DR150X-340	SHIELD, EXHAUST 2 (UNAVAILABLE)	1
5	DR150X-341	SEAL, EXHAUST	1
6	DR150X-342	MUFFLER ASSY.	1
7	DR150X-343	MUFFLER (UNAVAILABLE)	1
8	DR150X-344	SHIELD, HEAT, MUFFLER	1
9	DR150X-345	SPACER ϕ 7* ϕ 10.3* ϕ 20*7	3
10	DR150X-346	GROMMET, OVAL	3
11	DR150X-347	WASHER, OVAL ϕ 5	3
12	DR150X-348	FLAT WASHER ϕ 8	2
13	DR150X-349	LOCK WASHER ϕ 6	5
14	DR150X-350	BOLT M6*12	5
15	DR150X-351	BOLT M6*16	3
16	DR150X-352	BOLT, FLANGED M8*30	1

17	DR150X-353	NUT, FLANGED, LOCKING M8	1
18	DR150X-354	NUT M8	2
19	DR150X-355	NUT M8	2

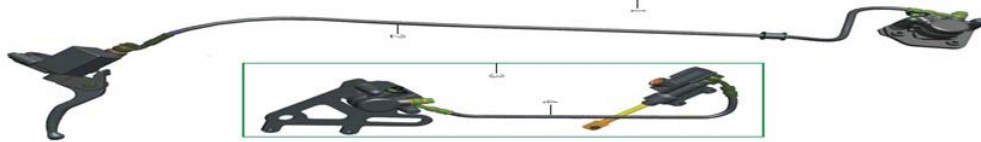
Image Web Part [19]



REAR BRAKE

Item No	Part Number	Description	Qty
1	DR150X-356	LEVER, BRAKE, REAR	1
2	DR150X-357	BRAKE LEVER TIP (ALLOY)	1
3	DR150X-358	SPRING, BRACKET, BRAKE, REAR	1
4		MASTER CYLINDER, REAR(UNAVAILABLE)	1
5	DR150X-360	BOLT, FLANGED M6*16	2
6	DR150X-361	BOLT, M6*16	2
7	DR150X-362	BOLT M10*35	1
8	DR150X-363	PIN, LEVER, BRAKE	1
9	DR150X-364	COTTER PIN Ø2	1

Image Web Part [18]



BRAKES

Item No	Part Number	Description	Qty
1	DR150X-365	BRAKE ASSY., FRONT	1
2	DR150X-366	HOSE, BRAKE,FRONT	1
3	DR150X-367	BRAKE ASSY., REAR	1
4	DR150X-368	HOSE, BRAKE,REAR	1

Image Web Part [17]

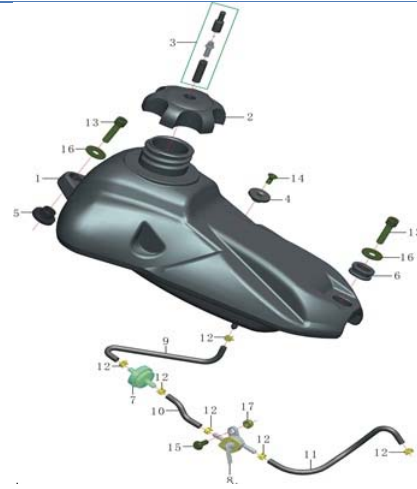


FENDERS

Item No	Part Number	Description	Qty
1	DR150X-369	SEAT	1
2	DR150X-370	FAIRING, FUEL TANK, RH	1
3	DR150X-371	FAIRING, FUEL TANK, LH	1
4	DR150X-372	FAIRING, REAR, LH	1
5	DR150X-373	FAIRING, REAR, RH	1
6	DR150X-374	FENDER, FRONT	1
7	DR150X-375	FENDER, REAR	1
8	DR150X-376	FRONT NUMBER PLATE	1
9	DR150X-377	BOLT M6*16	8
10	DR150X-378	BOLT M6*12	2
11	DR150X-379	BOLT M6*20	4
12	DR150X-380	BOLT, ALLEN HEAD M8*20	2

13	DR150X-381	BOLT M6*25	1
14	DR150X-382	BOLT M6*30	1
15	DR150X-383	FLAT WASHER Ø6	16
16	DR150X-384	FLAT WASHER Ø8	2
17	DR150X-385	RUBBER WASHER Ø6	15
18	DR150X-386	NUT M6	6

Image Web Part [16]



FUEL TANK

Item No	Part Number	Description	Qty
1	DR150X-387	FUEL TANK (EPA)	1
1	DR150X-388	FUEL TANK (STANDARD)	1
2	DR150X-389	FUEL TANK CAP (EPA)	1
2	DR150X-390	FUEL TANK CAP (STANDARD)	1
2	DR150X-391	FUEL TANK CAP, ALLOY	1
3	DR150X-392	HOSE, BREATHER	1
4	DR150X-393	BRACKET, SEAT	1
5	DR150X-394	GROMMET, ROUND	1
6	DR150X-395	GROMMET, ROUND	1
7	DR150X-396	GASOLINE FILTER	1
8	DR150X-397	FUEL PET-COCK	1
9	DR150X-398	HOSE, FUEL 1 (EPA)	1
10	DR150X-399	HOSE, FUEL 2 (EPA)	1
11	DR150X-400	HOSE, FUEL 3 (EPA)	1
12	DR150X-401	CLAMP, HOSE Ø6	6
13	DR150X-402	BOLT, ALLEN HEAD M8*30	2
14	DR150X-403	BOLT M6*12	1
15	DR150X-404	BOLT M6*16	1
16	DR150X-405	FLAT WASHER Ø8	2
17	DR150X-406	NUT, LOCKING M6	1

Image Web Part [15]



ELECTRICAL

Item No	Part Number	Description	Qty
1	DR150X-407	WIRING HARNESS	1
2	DR150X-408	KEY SWITCH	1
3	DR150X-409	IGNITION COIL	1
4	DR150X-410	SOLENOID, STARTER	1
5	DR150X-411	CDI	1

Image Web Part [14]



CABLES

Item No	Part Number	Description	Qty
5	DR150X-412	CABLE, THROTTLE	1
6	DR150X-413	CABLE, CLUTCH	1

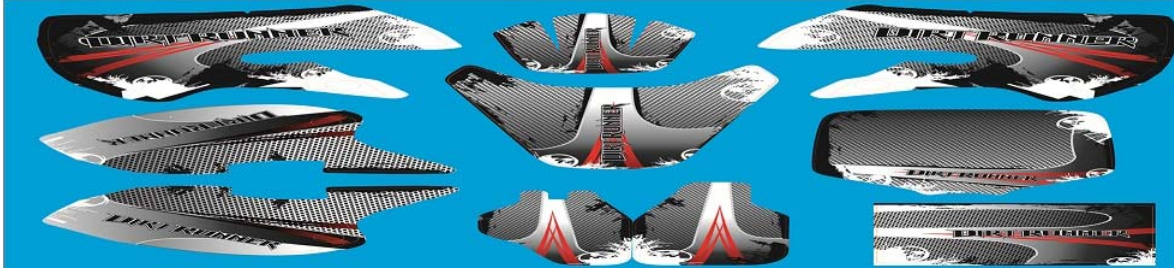
Image Web Part [13]



TOOL KIT

Item No	Part Number	Description	Qty
1	DR150X-414	TOOL KIT	1

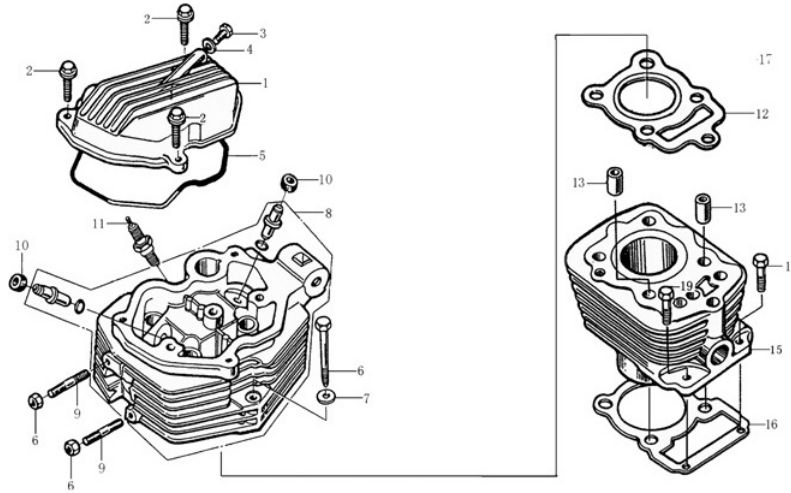
Image Web Part [12]



LABELS

Item No	Part Number	Description	Qty
1	DR150X-415	STICKER KIT (513 - JAPAN)	1
1	DR150X-416	WARNING LABEL SET	1

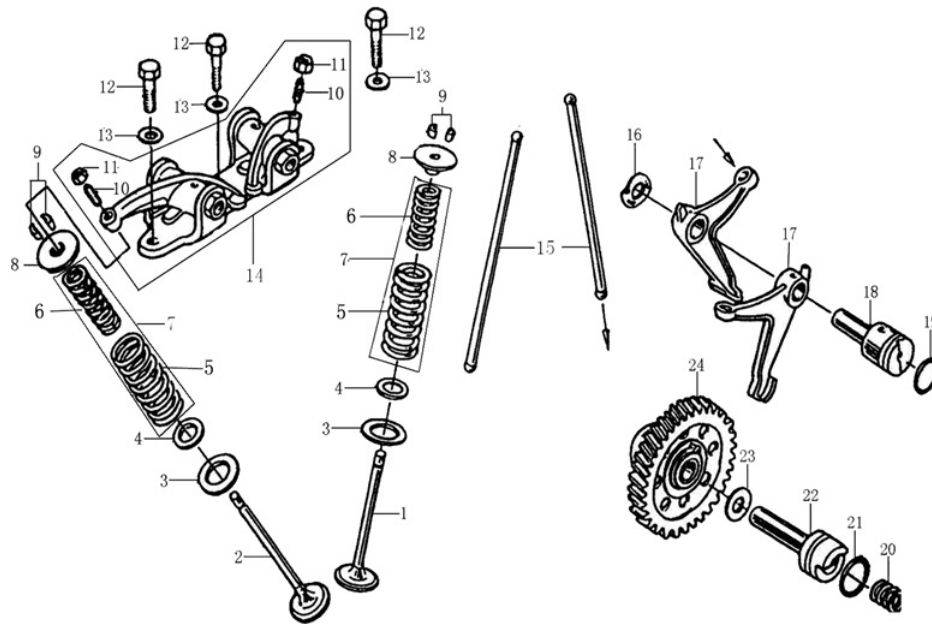
Image Web Part [11]



CYLINDER HEAD

Item No	Part Number	Description	Qty
1	DR150X-420	UPPER COVER, CYLINDER HEAD	1
2	DR150X-421	BOLT M6×28	3
3	DR150X-422	BOLT M6×12	1
4	DR150X-423	WASHER 6.5×1.5×12	1
5	DR150X-424	SEAL RING OF UPPER COVER,CYLINDER HEAD	1
6	DR150X-425	BOLT M8×78	1
7	DR150X-426	WASHER 8.5×2×18	1
8	DR150X-427	CYLINDER HEAD ASSY	1
9	DR150X-428	BOLT M6×35	2
10	DR150X-429	SEAL, VALVE STEM	2
11	DR150X-430	SPARK PLUG	1
12	DR150X-431	GASKET ASSY,CYLINDER HEAD	1
13	DR150X-432	PIN 10×20	2
14	DR150X-433	BOLT M6×22	2
15	DR150X-434	CYLINDER ASSEMBLY	1
16	DR150X-435	GASKET,CYLINDER BLOCK	1

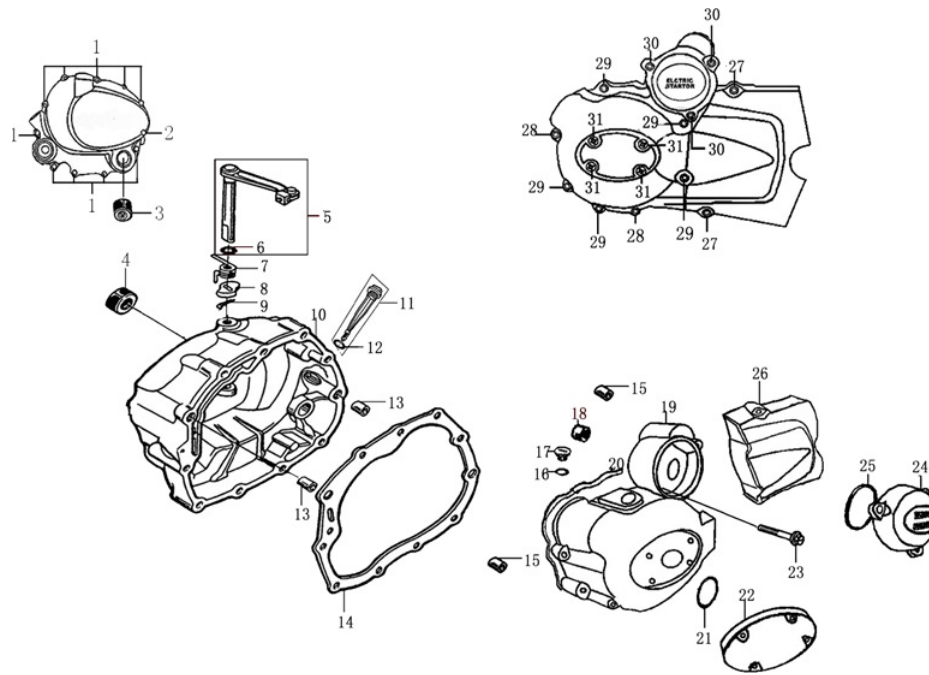
Image Web Part [10]



VALVES

Item No	Part Number	Description	Qty
1	DR150X-436	INLET VALVE	1
2	DR150X-437	EXHAUST VALVE	1
3	DR150X-438	RETAINER, VALVE SPRING	2
4	DR150X-439	SPRING SEAT	2
5	DR150X-440	VALVE OUTER SPRING	2
6	DR150X-441	VALVE INNER SPRING	2
7	DR150X-442	INNER SPRING,ASSY	2
8	DR150X-443	SPRING SEAT	2
9	DR150X-444	VALVE KEEPER	4
10		SCREW, VALVE CLEARANCE	2
11		NUT,VALVE CLEARANCE	2
12	DR150X-447	BOLT M8x28	3
13	DR150X-448	WASHER 8.5x2x18	3
14	DR150X-449	ROCKER ARM ASSEMBLY, VALVE	1
15	DR150X-450	PUSH LEVER COMP	2
16	DR150X-451	WAVE WASHER 12.3x0.2x20.9	1
17	DR150X-452	LOWER ROCKER ARM	2
18	DR150X-453	SHAFT,LOWER ROCKER ARM	1
19	DR150X-454	O-RING 18x2.5	1
20	DR150X-455	SPRING	1
21	DR150X-456	O-RING 20x2.5	1
22	DR150X-457	AIR MLET CAM SHAFT	1
23	DR150X-458	WASHER 14.2x1x24	1
24	DR150X-459	NG DRIVEN SPROCKET COMP	1

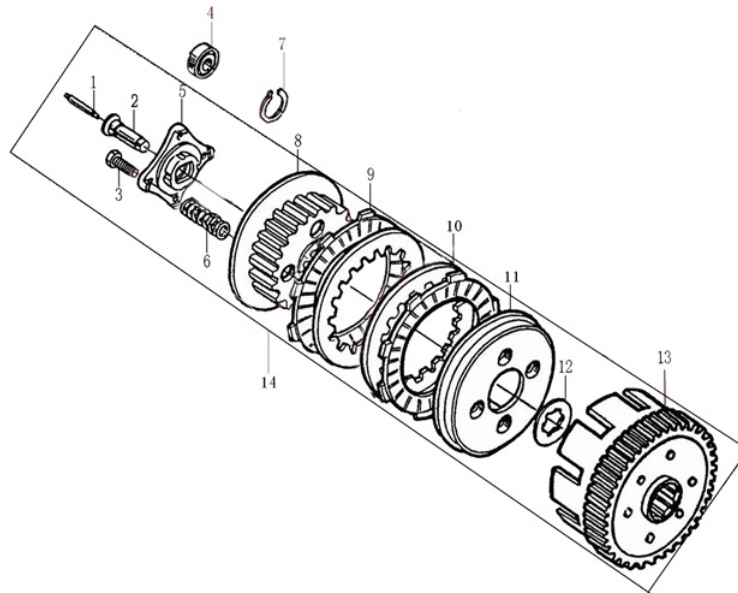
Image Web Part [9]



CRANKCASE COVERS

Item No	Part Number	Description	Qty
1	DR150X-460	BOLT M6×40	10
2	DR150X-461	BOLT M6×50	1
3	DR150X-462	OIL LEVEL SIGHT WINDOW	1
4	DR150X-463	OIL SEAL 16×28×7	1
5	DR150X-464	CONTROLLING ARM ASSEMBLY, CLUTCH	1
6	DR150X-465	O-RING 6.5×1.9	2
7	DR150X-466	CLUTCH CONTROLLING ARM SPRING	1
8	DR150X-467	CLUTCH SEPARATION CAM	1
9	DR150X-468	CLUTCH LEVER PIN	1
10	DR150X-469	COVER COMP. RIGHT CRANKCASE	1
11	DR150X-470	OIL RULER ASSY	1
12	DR150X-471	O-RING 18×3	1
13	DR150X-472	PIN 8×14×6.3	2
14	DR150X-473	GASKET, R.CRANKCASE COVER	1
15	DR150X-474	PIN 10×14	2
16	DR150X-475	O-RING 13.2×2.65	1
17	DR150X-476	CAP, SMALL VIEW HOLE	1
18	DR150X-477	BEARING	1
19	DR150X-478	CRANKCASE COVER, LH	1
20	DR150X-479	GASKET, L.CRANKCASE COVER	1
21	DR150X-480	O-RING 27.4×2.65	1
22	DR150X-481	DECORATE COVER, L.CRANKCASE COVER	1
23	DR150X-482	BOLT M6×25	1
24	DR150X-483	COVER, REDUCTION GEAR	1
25	DR150X-484	O-RING 62×3	1
26	DR150X-485	BACK PART, L.CRANKCASE COVER	1
27	DR150X-486	BOLT M6×28	2
28	DR150X-487	BOLT M6×50	2
29	DR150X-488	BOLT M6×40	5
30	DR150X-489	BOLT M6×20	3
31	DR150X-490	SCREW M6×12	4

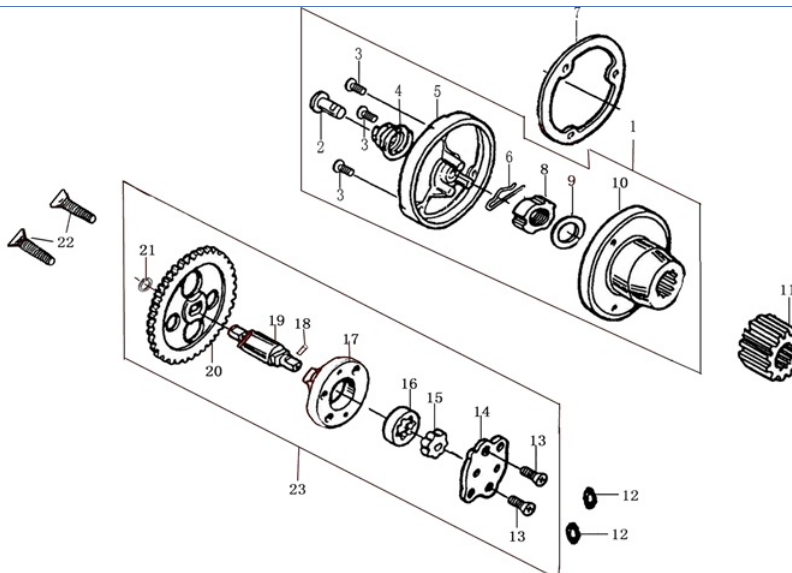
Image Web Part [8]



CLUTCH

Item No	Part Number	Description	Qty
1		ROD,CLUTCH PUSH	1
2		SEPARATING AXLE SLEEVE	1
3		BOLT M6x22	4
4	DR150X-494	BEARING (6001)	1
5	DR150X-495	END COVER,CLUTCH	1
6	DR150X-496	SPRING, CLUTCH	4
7	DR150X-497	ELASTIC CHECK RING	1
8		CENTER SLEEVE, CLUTCH	1
9		DRIVE FRICTION DISK	5
10		OUTER FRICTION DISK A	4
11		PRESSURE PLATE, CLUTCH	1
12		WASHER	1
13		OUT CASE ASSEMBLY, CLUTCH	1
14	DR150X-504	CLUTCH ASSY	1

Image Web Part [7]

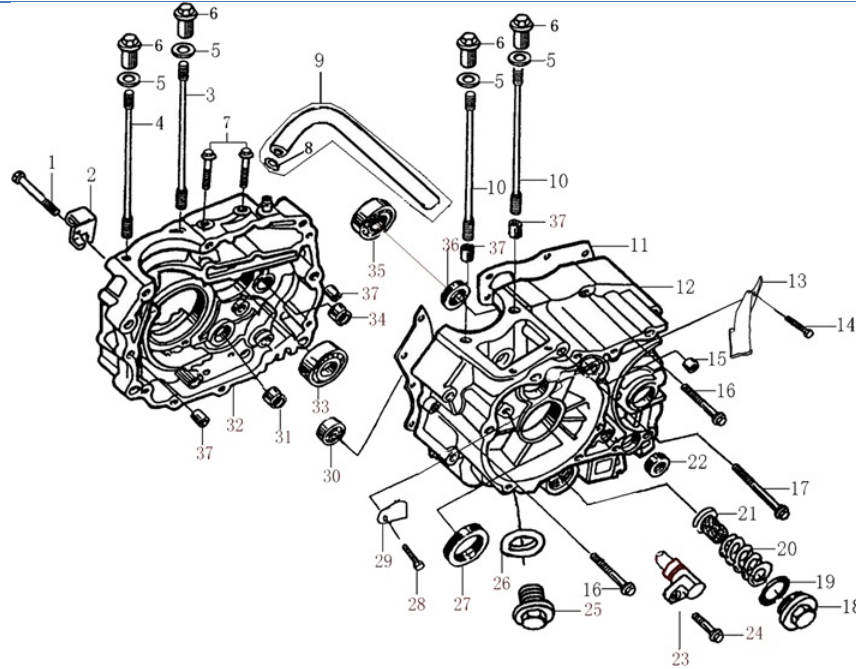


OIL PUMP

Item No	Part Number	Description	Qty
1	DR150X-505	OIL FILTER,COMP	1
2		OIL PIPE	1
3		SCREW M5x12	3
4		SPRING, OIL PIPE	1
5		OIL FILTER COVER	1
6		OPEN PIN	1
7	DR150X-511	GASKET, OIL FILTER	1

8	NUT	1
9	DISH WASHER, CLUTCH	1
10	OIL FILTER BODY	1
11	DR150X-515 PRIMARY DRIVE GEAR	1
12	DR150X-516 O-RING 9.4x2.4	2
13	SCREW M4x10	2
14	OIL PUMP COVER	1
15	INNER ROTOR, OIL PUMP	1
16	OUTER ROTOR, OIL PUMP	1
17	OIL PUMP BODY	1
18	PIN 2.5x10	1
19	SHAFT,OIL PUMP	1
20	OIL PUMP GEAR ASS.	1
21	CIRCLIP 6	1
22	DR150X-526 SCREW M6x30	2
23	DR150X-527 OIL PUMP ASSY	1

Image Web Part [6]

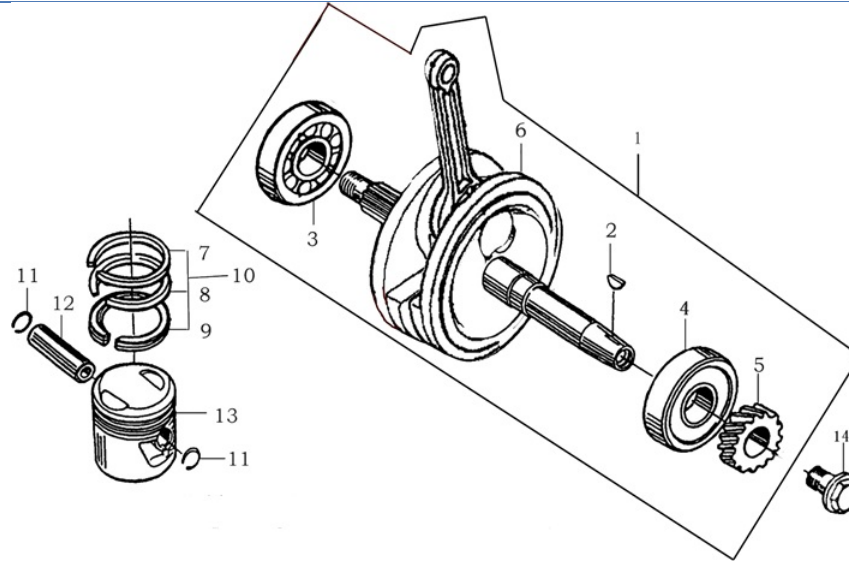


CRANKCASE

Item No	Part Number	Description	Qty
1	DR150X-528	BOLT M6x55	1
2	DR150X-529	HOLDER,CLUTCH CABLE	1
3	DR150X-530	CYLINDER STUD BOLT A	1
4	DR150X-531	CYLINDER STUD BOLT A	1
5	DR150X-532	WASHER 12.5x2x22	4
6	DR150X-533	NUT	4
7	DR150X-534	BOLT M6x28	2
8	DR150X-535	CLAMP	1
9	DR150X-536	PIPE ASSY	1
10	DR150X-537	CYLINDER STUD BOLT B	2
11	DR150X-538	GASKET,CRANKCASE	1
12	DR150X-539	LEFT CRANKCASE BLOCK	1
13	DR150X-540	POSITION PLATE	1
14	DR150X-541	BOLT M6x12	1
15	DR150X-542	BEARING	1
16	DR150X-543	BOLT M6x50	9
17	DR150X-544	BOLT M6x95	1
18	DR150X-545	COVER, VALVE CHAMBER	1
19	DR150X-546	O-RING 35x3	1
20	DR150X-547	SPRING,OIL FILTER STRAINER	1
21	DR150X-548	STRAINER,OIL FILTER	1
22	DR150X-549	OIL-SEAL 14x28x7	1
23	DR150X-550	PRESSING PIN BODY ASSY	1
24	DR150X-551	BOLT M6x25	1
25	DR150X-552	OIL DRAIN PLUG	1
26	DR150X-553	WASHER 12.4x2x20	1
27	DR150X-554	OIL-SEAL 34x50x7	1

28	DR150X-555	BOLT M6x12	1
29	DR150X-556	STOP PLATE, CAMSHAFT	1
30	DR150X-557	BEARING (6202Z)	1
31	DR150X-558	BEARING (HK212810)	1
32	DR150X-559	RIGHT CRANKCASE BLOCK	1
33	DR150X-560	BEARING (6006)	1
34	DR150X-561	BEARING (NK152312)	1
35	DR150X-562	BEARING (6204)	1
36	DR150X-563	OIL SEAL 20x34x7	1
37	DR150X-564	PIN 10x14	4

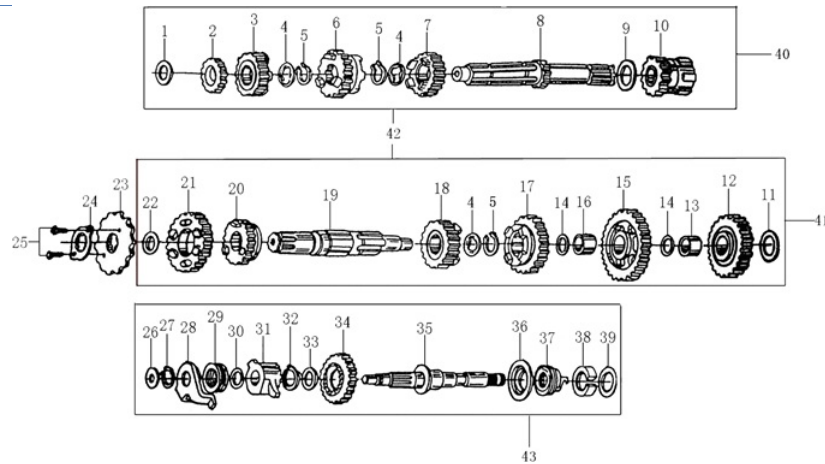
Image Web Part [5]



CRANKSHAFT

Item No	Part Number	Description	Qty
1	DR150X-565	CRANKSHAFT CONNECTING-ROD ASSY	1
2		SEMICIRCULAR KEY	1
3		BEARING (63/28/P5)	1
4		BEARING (63/28-RS/P5)	1
5		HUB DUMP CHAIN SPROCKET	1
6		CONNECTING ROD COMP 3	1
7	DR150X-571	PISTON RING 1	1
8	DR150X-572	PISTON RING 2	1
9	DR150X-573	OIL RING ASSY	1
10	DR150X-574	PISTON RING COMP	1
11	DR150X-575	CLIP, PISTON PIN	2
12	DR150X-576	PIN PISTON	1
13	DR150X-577	PISTON	1
14	DR150X-578	BOLT M10x36	1

Image Web Part [4]

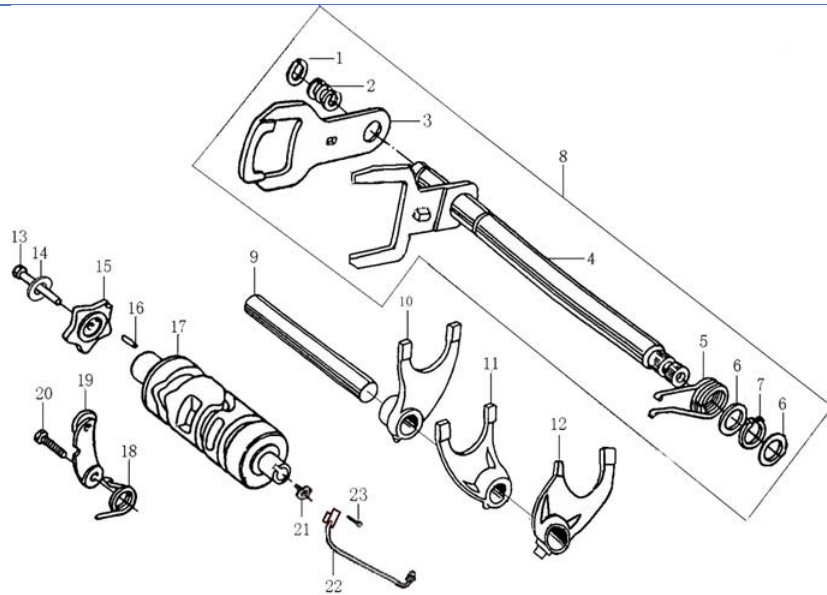


TRANSMISSION

Item No	Part Number	Description	Qty
1		WASHER 15.2x1x25	1

2		GEAR M-2	1
3		GEAR M-5	1
4		WASHER	3
5		CIRCLIP	3
6		GEAR M-4	1
7		GEAR M-3	1
8		TRANSMISSION MAIN SHAFT	1
9		WASHER 20.2×0.5×27	1
10		FINAL SHAFT	1
11		WASHER 15.2×1×30	1
12		GEAR	1
13		GEAR BUSH	1
14		WASHER 16.5×0.5×24	2
15		GEAR C-1	1
16		GEAR BUSH	1
17		GEAR C-3	1
18		GEAR C-4	1
19		TRANSMISSION COUNTER SHAFT	1
20		GEAR C-5	1
21		GEAR C-2	1
22		WASHER 20×1×27	1
23	DR150X-601	DRIVE SPROCKET	1
24	DR150X-602	FIXING PLATE,DRIVE SPROCKET	1
25	DR150X-603	BOLT M6×10	2
26		WASHER 12.1×1×18	1
27		CIRCLIP 16	1
28		GUIDE PLATE ASS.	1
29		SPRING, KICK STARTING RATCHET WHEEL	1
30		WASHER 16.1×1×24	1
31		STARTING RATCHET	1
32		CIRCLI Φ18.5×1.2×Φ22.4	1
33		WASHER 20×0.5×27	1
34		GEAR, KICK STARTER	1
35		PIVOT, KICK STARTING SHAFT	1
36		SEAT, SPRING, KICK STARTING SHAFT	1
37		RETURN SPRING, KICK STARTING SHAFT	1
38		COLLAPSIBLE	1
39		WASHER 16.1×1×30	1
40	DR150X-618	MAIN SHAFT, TRANSMISSION	1
41	DR150X-619	COUTERSHAFT TRANSMISSION	1
42		TRANSMISSION MAIN,COUNTER SHAFT	1
43	DR150X-621	KICK STARTING SHAFT ASSEMBLY	1

Image Web Part [3]

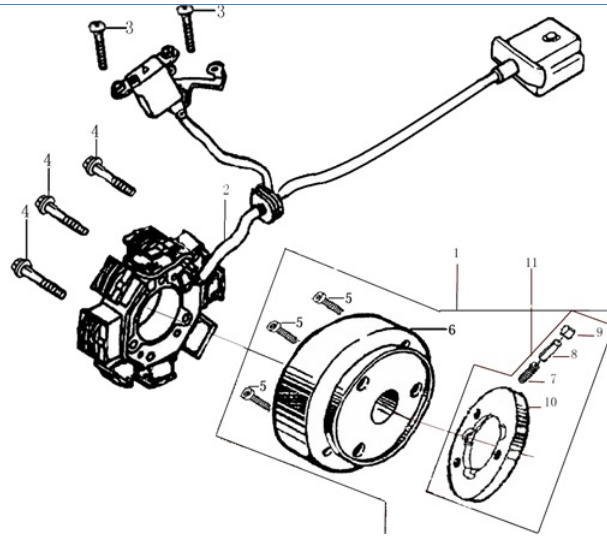


GEARSHIFT

Item No	Part Number	Description	Qty
1		CIRCLIP 12	1
2		SPRING, GEARSHIFT PLATE	1
3		GEARSHIFT PLATE	1
4		GEARSHIFT SHAFT COMP	1

5	RETURN SPRING	1
6	WASHER 14x0.5x20	2
7	CIRCLIP 14	1
8 DR150X-629	GEARSHIFT LEVER COMP	1
9 DR150X-630	SHAFT , GEARSHIFT FORK	1
10 DR150X-631	RIGHT FORK, COUNTERSHAFT	1
11 DR150X-632	CENTER FORK, MAINSHAFT	1
12 DR150X-633	LEFT FORK, COUNTERSHAFT	1
13 DR150X-634	BOLT	1
14 DR150X-635	WASHER Ø6	1
15 DR150X-636	STOPPING PLATE	1
16 DR150X-637	PIN 4x10	1
17 DR150X-638	GEARSHIFT DRUM	1
18 DR150X-639	SPRING ,LOCATING PLATE	1
19 DR150X-640	LOCATING PLATE ASSY	1
20 DR150X-641	BOLT FIXING PLATE	1
21 DR150X-642	CONTACT . CEARINDICATION	1
22 DR150X-643	GEARSHIFT SWITCH COMP	1
23 DR150X-644	SCREW M6x20	1

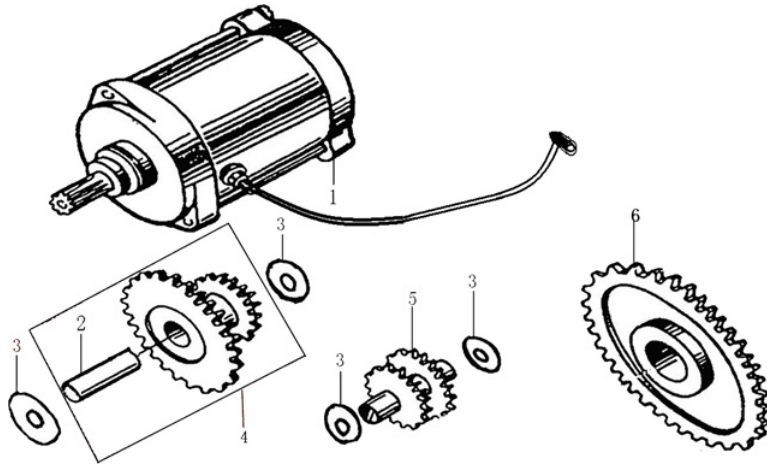
Image Web Part [2]



MAGNETO

Item No	Part Number	Description	Qty
1	DR150X-645	ROTOR ASSY,MAGNETO	1
2	DR150X-646	STATOR ASSY,MAGNETO	1
3	DR150X-647	BOLT M5x16	2
4	DR150X-648	BOLT M5x25	3
5		BOLT M8x18	3
6		ROTOR ASSY,MAGNETO	1
7		SPRING	3
8		CONE BILOCKAGE	3
9		CLUTCH ROLLER	3
10		ASSEMBLY, SPIDER	1
11		ASSEMBLY, OVERRUNNING CLUTCH	1

Image Web Part [1]



STARTER MOTOR

Item No	Part Number	Description	Qty
1	DR150X-656	STARTING MOTOR ASSY	1
2	DR150X-657	SHAFT,REDUCTION	1
3	DR150X-658	WASHER 10.5×0.5×18	4
4	DR150X-659	GEAR, REDUCTION, 1	1
5	DR150X-660	GEAR, REDUCTION, 2	1
6	DR150X-661	PLATE GEAR ASSY	1